

Description

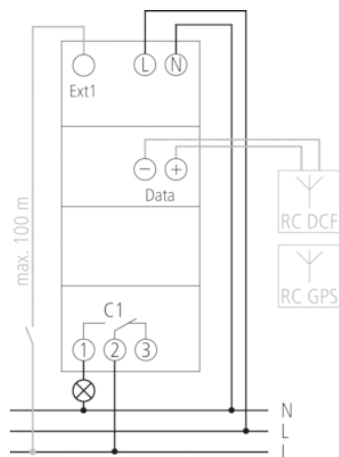


- Astronomical time switch with weekly program
- Time synchronisation option via connection of an external DCF or GPS antenna
- Additional power unit required for GPS if only one device is connected to the antenna
- 1 channel
- Programming by app possible
- Safe transfer via optional Bluetooth Low Energy OBELISK top3
- Maximum manipulation security, time switch programs can only be transferred from the app to the time switch when the Bluetooth OBELISK top3 is plugged into the time switch
- 100% compatible with top2 (When transferring the switching programs via OBELISK to the PC, the OBELISK software as of V3.8.3.4 must be installed)
- 3 special programs (small annual program)
- 3 custom twilight ranges plus adjustable offset (sunset, twilight, darkness)
- Astro-pulse
- External input
- 84 memory locations
- Connectable sensors (external selector switch, sequence timer)
- Connectable switches (ON or OFF permanent switching)
- Astronomical time switch function (automatic calculation of sunrise and sunset times for the whole year)
 - Offset for adjusting of sunrise and sunset times
 - Position data via coordinates or country/city lists can be programmed
 - Fixed ON-OFF switching times can be programmed (e.g. night time interruption)
 - Simulation of switching times (calculated astronomical times and programmed ON/OFF switching times)
 - Reversible astronomical mode (evenings ON - mornings OFF or evenings OFF - mornings ON) or can be deactivated
- DuoFix spring terminals
 - For 2 conductors each
 - Wire or strand (with or without wire end sleeve)
 - Wire diameter: 0.5 - 2.5 mm²
 - Button for releasing plug-in connection
- Text-oriented user guidance in display
 - Preset date and time
 - fully operable without mains connection
- Interface for OBELISK top2 memory card (PC programming)
 - 2. insertable switching program
 - Copying programs
 - Storing programs
- 10 year power reserve (lithium battery)
- Zero-cross switching for relay-saving switching and high lamp loads (not with 24 V devices)
- Calculated astronomical switching times
- Programmable ON-OFF switching times
- Switching preselection
- Permanent switching ON/OFF
- Integrated operating hour counter
 - Reset option
 - Service function for monitoring maintenance intervals
- Holiday program
- Display back light (can be turned off)
- PIN coding
- Automatic summer/winter time changeover
 - can be deactivated
 - Date rule options are already stored for Europe, the USA and other countries
 - own date rule options or changeover around set dates are available

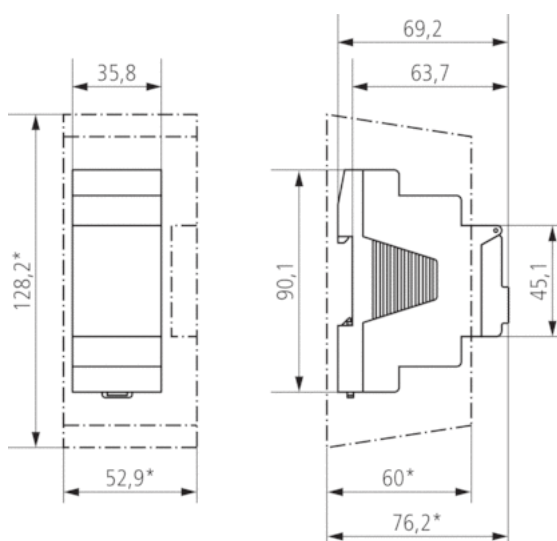
Technical data

Operating voltage	110 – 230 V AC
Frequency	50 – 60 Hz
Width	2 modules
Installation type	DIN rail
Type of contact	Changeover contact
Switching output	Phase-independent
Opening width	< 3 mm (μ)
Program	Weekly program, Astronomical program
Program functions	ON-OFF
Number of channels	1
Number of memory locations	84
Power reserve	10 years
Switching capacity at 250 V AC, $\cos \varphi = 1$	16 A
Switching capacity at 250 V AC, $\cos \varphi = 0,6$	10 A
Incandescent/halogen lamp load 230 V	2600 W
Energy saving lamps 230 V	1100 W
LED lamp < 2 W	50 W
LED lamp 2-8 W	600 W
LED lamp > 8 W	600 W
Fluorescent lamp load (conventional) not corrected	2600 VA
Fluorescent lamp load (conventional) series-corrected	2600 VA
Inrush current	max. 800 A / 200 μ s
Switching capacity min.	ca. 10 mA
Shortest switching times	1 min
Time accuracy at 25 °C	typical $\pm 0,25$ s/day (quartz) or DCF77/GPS
Time basis	Quartz/DCF77/GPS
Stand-by consumption	$\sim 0,75$ W
Memory card supplied	–
Type of connection	DuoFix spring terminals
Externe Antenne anschließbar	<input type="checkbox"/>
Keyboards	4 touch buttons
Housing and insulation material	High-temperature resistant, self-extinguishing thermoplastic
Type of protection	IP 20
Protection class	II according to EN 60 730-1
Ambient temperature	-25 °C ... +55 °C

Connection example



Scale drawings



Accessories

Antenna top2 RC-GPS

- Article number: 9070610
[Details ▶ www.theben.de](http://www.theben.de)



Antenna top2 RC-DCF

- Article number: 9070410
[Details ▶ www.theben.de](http://www.theben.de)



Bluetooth OBELISK top3

- Article number: 9070130
[Details ▶ www.theben.de](http://www.theben.de)



Wall mounting kit 35 mm

- Article number: 9070064
[Details ▶ www.theben.de](http://www.theben.de)



PC set OBELISK top2/3

- Article number: 9070409
[Details ▶ www.theben.de](http://www.theben.de)



Memory card OBELISK top2

- Article number: 9070404
[Details ▶ www.theben.de](http://www.theben.de)



Article number: 1710330

Front panel kit

- Article number: 9070001
Details ▶ www.theben.de

