

Description

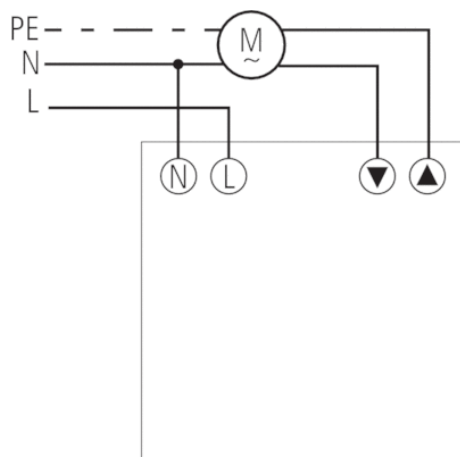


- Digital time switch for drive control of roller blinds and blinds
- „Astro evening“ program - opens roller blinds and blinds according to a programmed switching time and closes them automatically at sunset via Astro command
- „Individual switching times“ program - opens and closes roller blinds and blinds according to a programmed switching time
- Times programmable for two fixed blocks (Monday-Friday, Saturday-Sunday)
- Integrated buttons for manual control (Up/Down/Stop button)
- Slide switch for setting the operating mode (Manual/Auto)
- Programming of intermediate position and ventilation position
- Blocking time (prevents the roller blinds from moving up or down too early, due to the Astro function)
- Holiday program (presence simulation)
- Astro position selectable by city list or coordinates (longitude/latitude)
- Text-based user guidance in the display
- Automatic summer-winter time changeover
- Removable control panel
- Replaceable battery (type CR 2032)

Technical data

Operating voltage	230 V AC
Frequency	50 – 60 Hz
Installation type	Flush-mounted wall installation
Type of contact	NO contact
Program	Weekly program, Astronomical program
Number of channels	2
Switching capacity at 250 V AC, $\cos \varphi = 1$	5 A
Type of connection	Screw terminals
Housing and insulation material	High-temperature resistant, self-extinguishing thermoplastic
Type of protection	IP 20
Protection class	II
Voltage	230 V AC
Ambient temperature	+0 °C ... +55 °C

Connection example



Scale drawings

