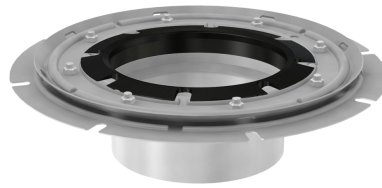
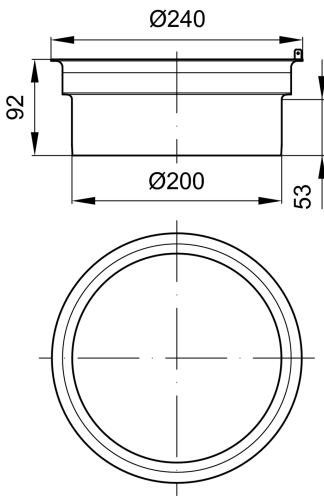


Raising pieces for ACO hygienic gully 218 - telescopic

Product information



ACO Product benefits

- Fully inspectable and cleanable
- Internal radii equal or larger than 3 mm
- Fully welded hygienic joints
- Steel thickness min. 1,5 mm
- Fully pickled and passivated

- Hygienic design following EN 1672, EN ISO 14159 and EHEDG document 8, 13 and 44
- Certified according to EN 1253-1
- Available in 1.4301 (304) or 1.4404 (316L) grades of stainless steel
- Suitable for all floor types including vinyl flooring
- Location flange or integrated membrane flange for either adhesive bonding or mechanical clamp
- Telescopic friction ring included

Item Technical Data 408209

Description	Length [mm]	Width [mm]	Version
■ With location flange	242	242	1.4301