

Extension terminal, 3p, 25mm²

Part no. BK25/3-PKZ0-E
Catalog No. 262518
Alternate Catalog No. XTPAXLSA
EL-Nummer (Norway) 4315194

Delivery program

| | | |
|---------------|--|-------------------------|
| Product range | | Accessories |
| Accessories | | Incoming terminal |
| For use with | | PKZM0 PKE12 PKE32 |

Notes

Type E starters do not need an upstream protective device.

For use in Canada, the PKZM0/PKZM4 must be fitted with an AK-PKZ0.

Service factor (SF)

Set value I_r on the current scale, depending on the load factor

SF = 1.15 → I_r = 1 x I_{n mot}

SF = 1 → I_r = 0.9 x I_{n mot}

Notes

For three-phase commoning link, protected against accidental contact, U_e = 690 V, I_u = 60 A

For conductor cross-sections:

2.5 - 25 mm² stranded

2.5 - 16 mm² Flexible with ferrule

AWG 14 - 6

For surface-mounting type-E starters.

Design verification as per IEC/EN 61439

| Technical data for design verification | | | |
|--|-------------------|----|--|
| Rated operational current for specified heat dissipation | I _n | A | 63 |
| Heat dissipation per pole, current-dependent | P _{vid} | W | 1.8 |
| Equipment heat dissipation, current-dependent | P _{vid} | W | 5.4 |
| Static heat dissipation, non-current-dependent | P _{vs} | W | 0 |
| Heat dissipation capacity | P _{diss} | W | 0 |
| Operating ambient temperature min. | | °C | -25 |
| Operating ambient temperature max. | | °C | 55 |
| IEC/EN 61439 design verification | | | |
| 10.2 Strength of materials and parts | | | |
| 10.2.2 Corrosion resistance | | | |
| 10.2.3.1 Verification of thermal stability of enclosures | | | Meets the product standard's requirements. |
| 10.2.3.2 Verification of resistance of insulating materials to normal heat | | | Meets the product standard's requirements. |
| 10.2.3.3 Verification of resistance of insulating materials to abnormal heat and fire due to internal electric effects | | | Meets the product standard's requirements. |
| 10.2.4 Resistance to ultra-violet (UV) radiation | | | Meets the product standard's requirements. |
| 10.2.5 Lifting | | | Does not apply, since the entire switchgear needs to be evaluated. |
| 10.2.6 Mechanical impact | | | Does not apply, since the entire switchgear needs to be evaluated. |
| 10.2.7 Inscriptions | | | Meets the product standard's requirements. |
| 10.3 Degree of protection of ASSEMBLIES | | | Does not apply, since the entire switchgear needs to be evaluated. |
| 10.4 Clearances and creepage distances | | | Meets the product standard's requirements. |
| 10.5 Protection against electric shock | | | Does not apply, since the entire switchgear needs to be evaluated. |
| 10.6 Incorporation of switching devices and components | | | Does not apply, since the entire switchgear needs to be evaluated. |
| 10.7 Internal electrical circuits and connections | | | Is the panel builder's responsibility. |

| | | |
|--|--|--|
| 10.8 Connections for external conductors | | Is the panel builder's responsibility. |
| 10.9 Insulation properties | | |
| 10.9.2 Power-frequency electric strength | | Is the panel builder's responsibility. |
| 10.9.3 Impulse withstand voltage | | Is the panel builder's responsibility. |
| 10.9.4 Testing of enclosures made of insulating material | | Is the panel builder's responsibility. |
| 10.10 Temperature rise | | The panel builder is responsible for the temperature rise calculation. Eaton will provide heat dissipation data for the devices. |
| 10.11 Short-circuit rating | | Is the panel builder's responsibility. The specifications for the switchgear must be observed. |
| 10.12 Electromagnetic compatibility | | Is the panel builder's responsibility. The specifications for the switchgear must be observed. |
| 10.13 Mechanical function | | The device meets the requirements, provided the information in the instruction leaflet (IL) is observed. |

Technical data ETIM 8.0

Low-voltage industrial components (EG000017) / Busbar terminal (EC000001)

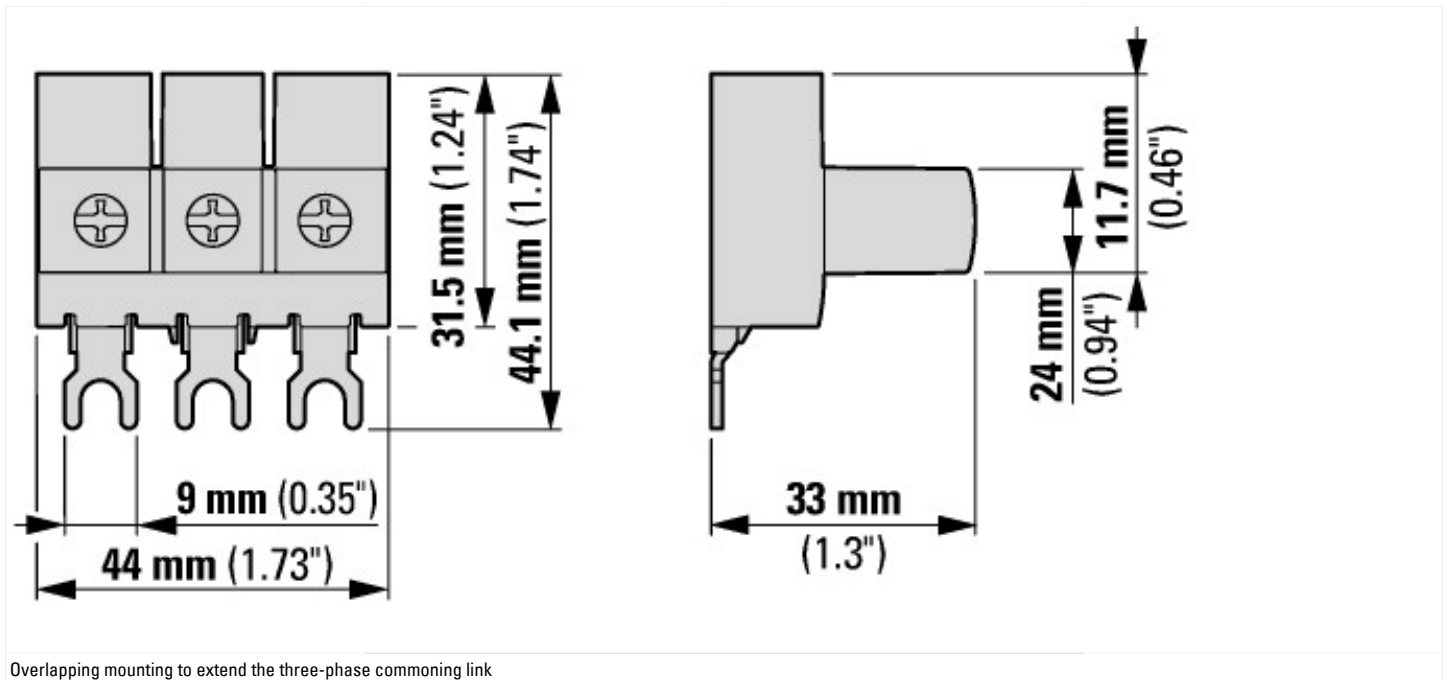
Electric engineering, automation, process control engineering / Electrical installation, device / Terminal (not overhead line) / Switch board (ecl@ss10.0.1-27-14-11-46 [BAA025013])

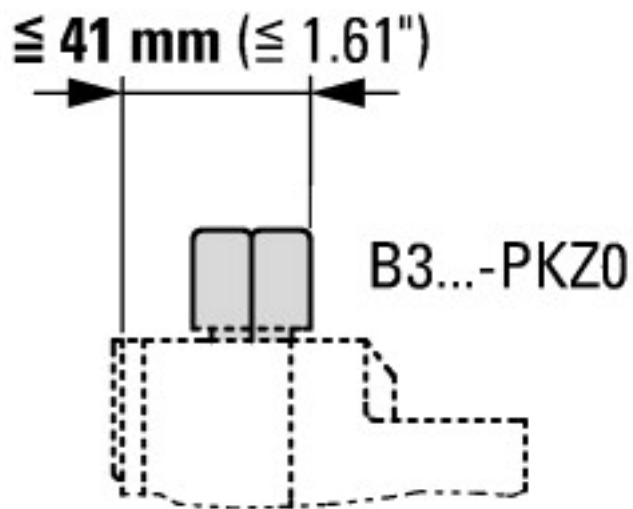
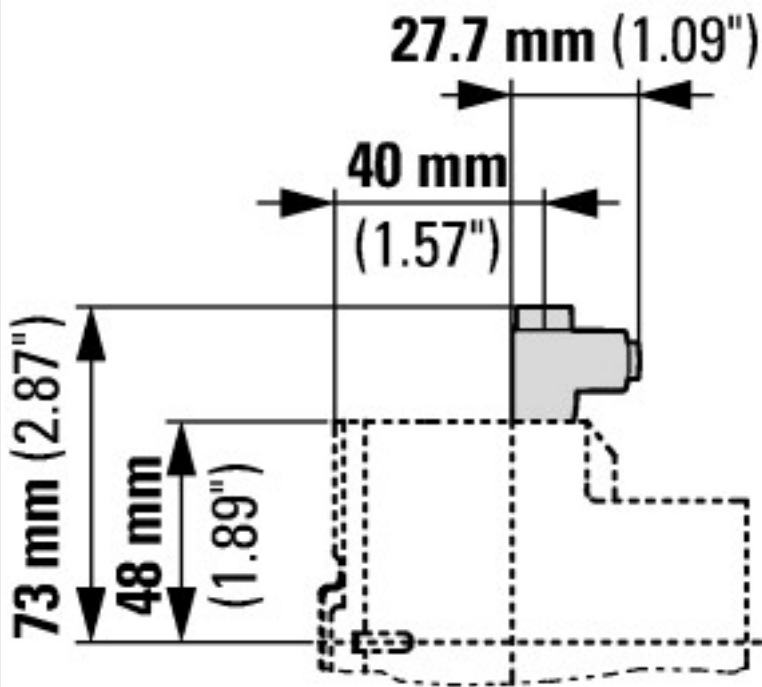
| | | |
|--|-----------------|-------|
| Busbar thickness | mm | 0 - 0 |
| Busbar width | mm | 0 - 0 |
| Suitable for | | Other |
| Width clamp | mm | 45 |
| Max. conductor cross section | mm ² | 25 |
| Max. rated operation current Ie | A | 63 |
| Suitable for round conductor connection | | Yes |
| Suitable for sector conductor connection | | No |
| Suitable for strip conductor connection | | No |

Approvals

| | | |
|--------------------------------------|--|---|
| Product Standards | | UL 508; CSA-C22.2 No. 14; IEC60947-4-1; CE marking |
| UL File No. | | E36332 |
| UL Category Control No. | | NLRV |
| CSA File No. | | 98494 |
| CSA Class No. | | 3211-06 |
| North America Certification | | UL listed, CSA certified |
| Specially designed for North America | | Yes |
| Suitable for | | PKZM0/PKE, line terminal required for Type E/F applications |

Dimensions





Additional product information (links)

| | |
|--|---|
| Motor starters and "Special Purpose Ratings" for the North American market | http://www.eaton.eu/ecm/groups/public/@pub/@europe/@electrical/documents/content/pct_3258146.pdf |
| Busbar Component Adapters for modern Industrial control panels | http://www.moeller.net/binary/ver_techpapers/ver960en.pdf |