



Insulating surround, size 2

Part no. NZM2-XBR
Catalog No. 260197

EL-Nummer 4358784
(Norway)

Delivery program

Product range		Accessories
Accessories		Insulating surrounds
Standard/Approval		UL/CSA, IEC
Construction size		NZM2
Description		For toggle levers, rotary handles with rotary drive and remote operators
Protection class		IP40
For use with		NZM2(-4) PN2(-4), N(S)2(-4)
Notes		
For oblong cut-out on doors and enclosures with material thicknesses of 1.5 - 5 mm.		
External warning plate/designation label can be clipped on		
NZM4-XBR cannot be combined with rotary handle with rotary drive.		

Design verification as per IEC/EN 61439

IEC/EN 61439 design verification		
10.2 Strength of materials and parts		
10.2.2 Corrosion resistance		Meets the product standard's requirements.
10.2.3.1 Verification of thermal stability of enclosures		Meets the product standard's requirements.
10.2.3.2 Verification of resistance of insulating materials to normal heat		Meets the product standard's requirements.
10.2.3.3 Verification of resistance of insulating materials to abnormal heat and fire due to internal electric effects		Meets the product standard's requirements.
10.2.4 Resistance to ultra-violet (UV) radiation		Meets the product standard's requirements.
10.2.5 Lifting		Does not apply, since the entire switchgear needs to be evaluated.
10.2.6 Mechanical impact		Does not apply, since the entire switchgear needs to be evaluated.
10.2.7 Inscriptions		Meets the product standard's requirements.
10.3 Degree of protection of ASSEMBLIES		Does not apply, since the entire switchgear needs to be evaluated.
10.4 Clearances and creepage distances		Meets the product standard's requirements.
10.5 Protection against electric shock		Does not apply, since the entire switchgear needs to be evaluated.
10.6 Incorporation of switching devices and components		Does not apply, since the entire switchgear needs to be evaluated.
10.7 Internal electrical circuits and connections		Is the panel builder's responsibility.
10.8 Connections for external conductors		Is the panel builder's responsibility.
10.9 Insulation properties		
10.9.2 Power-frequency electric strength		Is the panel builder's responsibility.
10.9.3 Impulse withstand voltage		Is the panel builder's responsibility.
10.9.4 Testing of enclosures made of insulating material		Is the panel builder's responsibility.
10.10 Temperature rise		The panel builder is responsible for the temperature rise calculation. Eaton will provide heat dissipation data for the devices.
10.11 Short-circuit rating		Is the panel builder's responsibility. The specifications for the switchgear must be observed.
10.12 Electromagnetic compatibility		Is the panel builder's responsibility. The specifications for the switchgear must be observed.
10.13 Mechanical function		The device meets the requirements, provided the information in the instruction leaflet (IL) is observed.

Technical data ETIM 8.0

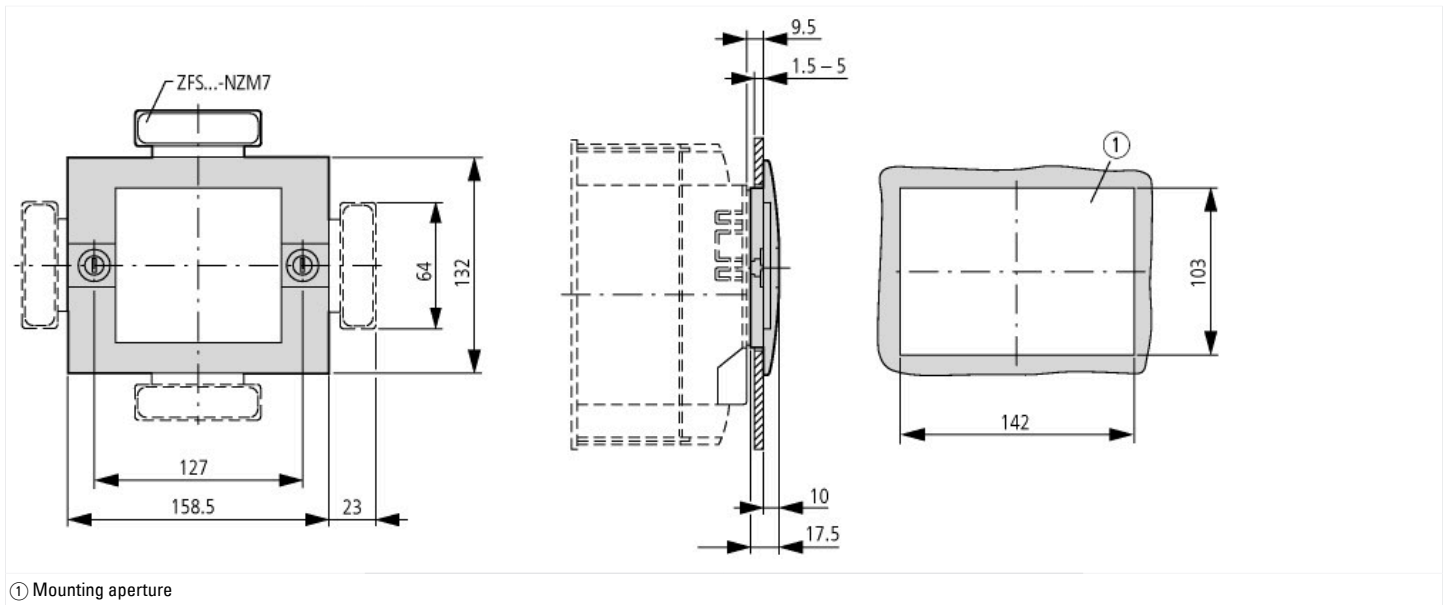
Distribution boards (EG000023) / Cover for distribution board (EC000775)		
Electric engineering, automation, process control engineering / Electrical installation, device / Electrical distribution system (incl. small distribution board) / Cover for distribution board (ecl@ss10.0.1-27-14-24-14 [ACN397011])		
Height	mm	132

Width	mm	158.5
Depth	mm	17.5
Number of rows		0
Material		Plastic
Hinging		No
Quick locking		No
Degree of protection (IP)		IP40
Colour		Black
Transparent		No

Approvals

Product Standards		UL489; CSA-C22.2 No. 5-09; IEC60947, CE marking
UL File No.		E140305
UL Category Control No.		DIHS
CSA File No.		022086
CSA Class No.		1437-01
North America Certification		UL listed, CSA certified

Dimensions



Additional product information (links)

IL01219011Z (AWA1230-1985) Insulating surround Size1, Size2

IL01219011Z (AWA1230-1985) Insulating surround Size1, Size2

https://es-assets.eaton.com/DOCUMENTATION/AWA_INSTRUCTIONS/IL01219011Z2010_11.pdf