

# Drill column RODIACUT 250

## No. FF30250

dated: 11/17

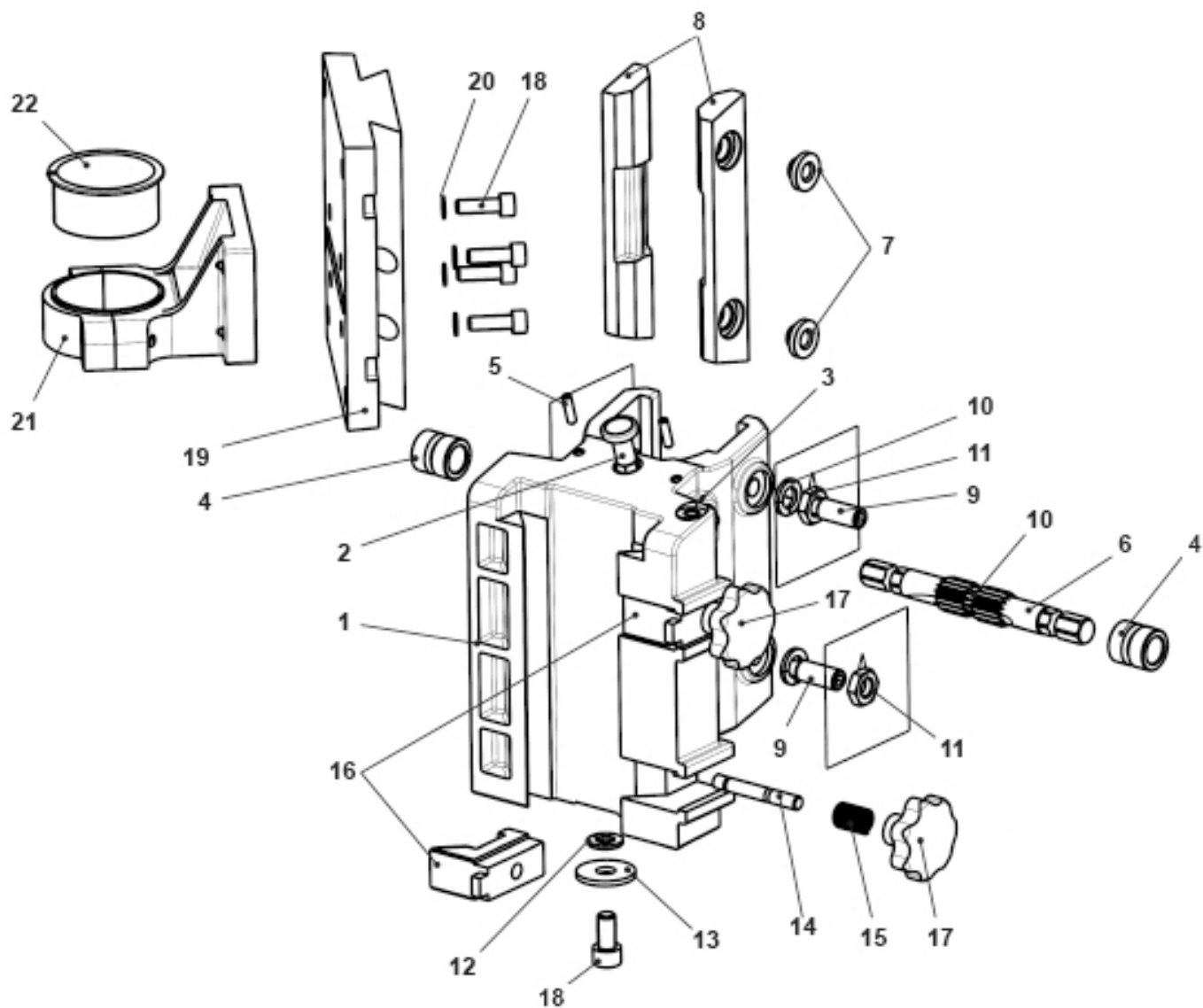
Item no.	Description	Article no.	Quantity
1	Base plate RC 250	1500001901	1
2	Tie bar RC 250	1500001920	1
3	Set screw	F85114	1
4	Wheel axle RC 250	1500001903	1
5	Clamp RC 250	1500001900	1
6	Clamping sleeve, counter piece	FF50927	1
7	Clamping sleeve	FF50926	1
8	Air bleed valve	FF50928	1
9	Strap grip RC 150 / 250	1500001824	1
10	Axle RC 150/250	1500001908	1
11	Bracing RC 250	1500001899	2
12	Lifting eye bolt AM10x80	FF50803	4
13	Grip RC 150/250	1500001910	1
14	Retaining washer Ø 9 DIN 6799	H82810	4
15	Washer A13 DIN125	H88234	3
16	Disc spring 25x12,2x0,9 DIN 2093	1500001886	4
17	Solid rubber wheel D=100 ID=12	FF50953	2
18	Plug RC 250	1500001902	2
19	Spherical washer C12 DIN 6319	1500001887	2
20	Clamping lever M10	1500001549	1
21	Clamp lever M8 RC 150 / 250	1500001822	1
22	Sperrated lock washer AM8 DIN 6798	1500001888	2
23	Hexagon cap nut M8 DIN917-55	FF54942	2
24	Spirit level can-shaped 18x9 mm	F85611	1
25	Schnorr safety washer 5 DIN 53070	1500001894	2
26	Cylindrical screw M 5x25 DIN912	H88161	2
27	Hex. Socket screw key 6 DIN 911	321216	1
28	Spacer RC 150/250	1500001911	1
29	Hexagon socket head screw M4x25 DIN7991	F85122	4
30	Grooved pin 5x16 DIN 1472	1500001825	1
31	Hexagon head bolt M8x115 DIN 931	1500001892	1
32.1	Block 30x52 RC 150/250	1500001916	1
32.2	Pinion RC 150/250	1500001917	1
32.3	Grub screw M8x8	FF50906	1
32.4	Hex. Socket head cap screw M4x12 DIN 912	86848	1
33	Feed lever cpl.	FF50863	1

**IMPORTANT!** To assure safety and reliability, repairs, maintenance and adjustment must be performed by ROTHENBERGER Kelkheim or authorized Service-Centers. Always use Original-Service-Parts. Order your accessories and spare parts from your specialist retailer or using RoService+ online.

**Tel.** +49 6195 - 800 **8200**

**Fax:** +49 6195 - 800 **7491**

✉ [service@rothenberger.com](mailto:service@rothenberger.com)



# Infeed unit RODIACUT 250

dated: 10/15

## No. FF30250\_Vorschub

Item no.	Description	Article no.	Quantity
1	Feeder housing RC 250	1500001896	1
2	Lock bolt for pinion shaft M12	F85141	1
3	Spirit level can-shaped 18x9 mm	F85611	1
4	Bushing RC 150/250	1500001914	2
5	Socket set screw M5x20 DIN 914	1500001890	2
6	Pinion shaft RC 150/250	1500001913	1
7	Stop bushing RC 150/250	1500001905	4
8	Guide strip RC 150/250	1500001906	2
9	Socket set screw M12x35 DIN 915	1500001891	4
10	Spring lock washer 12 DIN 7980	1500001889	4
11	Hexagon thin nut M12x1,5 DIN 439VZ	L84024	4
12	Washer A10,5 DIN 125	H98673	1
13	Washer R11x34x3 DIN 440VZ	H88279	1
14	Studs M8x50 DIN 939	1500001893	2
15	Spring RC 250	1500001895	2
16	Clamp RC 250	1500001897	2
17	Star knob M8 RC 250	1500001921	2
18	Screw M5x20 DIN912	H88387	5
19	Mounting plate	FF35000	1
20	Schnorr-washer M8	FF50913	4
21	Holding clamp for all 60mm motors	FF35250	1
22	Reducing ring 56	F85152	1

**IMPORTANT!** To assure safety and reliability, repairs, maintenance and adjustment must be performed by ROTHENBERGER Kelkheim or authorized Service-Centers. Always use Original-Service-Parts. Order your accessories and spare parts from your specialist retailer or using our Service After Sales hotline