

This is a sample photo.

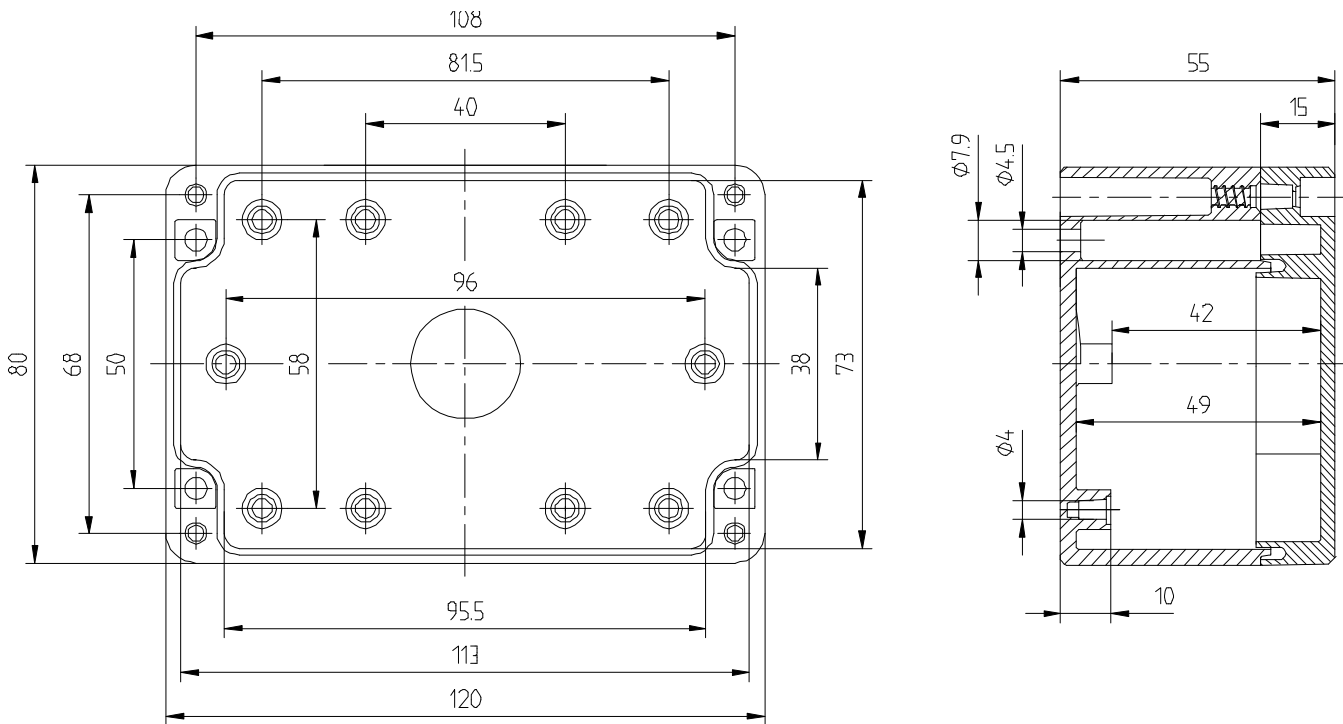
ORDER SYMBOL: PC 081206

EL.number **EAN:** 6418074003621
 Sweden: 2536111
 Denmark: 8212002623
 Finland: 3423428

INCLUDING:
 Enclosure body, cover with PUR gasket, cover screws, and mounting screws.

APPROVALS:
 USA: UL Type 1, 4, 4X, 12, 13 (E75645 Vol.1 Sec.6); IK 08 (front) IK 07 (side) (IK-code EN50102); UL 94-V2
 EURO: IP 67/IP 66; IK 08 (front) IK 07 (side) (IK-code EN50102); UL 94-V2
 OTHERS: IEC 529, CE, EEI, FIMKO 189830-01

FIBOX EURONORM II PC



TECHNICAL INFORMATION:

Standard colour: RAL 7035
 Ingress protection: IP 67 (IEC 529)
 Flame resistance: UL 94-V2

Temp.range in cont. use: Max. +80 °C
 Temp. range of material: - 40 °C - + 120 °C

ACCESSORIES

| | | | |
|---------------|----------|----------|----------|
| Fastening lug | TF 28037 | DIN-Rail | TRM 0808 |
| DIN-Rail | TRH 1212 | DIN-Rail | TRM 0812 |
| DIN-Rail | TRH 1216 | DIN-Rail | TRM 0816 |
| DIN-Rail | TRH 1220 | DIN-Rail | TRM 1212 |
| DIN-Rail | TRH 1520 | | |
| DIN-Rail | TRH 2330 | | |
| DIN-Rail | TRH 24 | | |
| DIN-Rail | TRM 0507 | | |