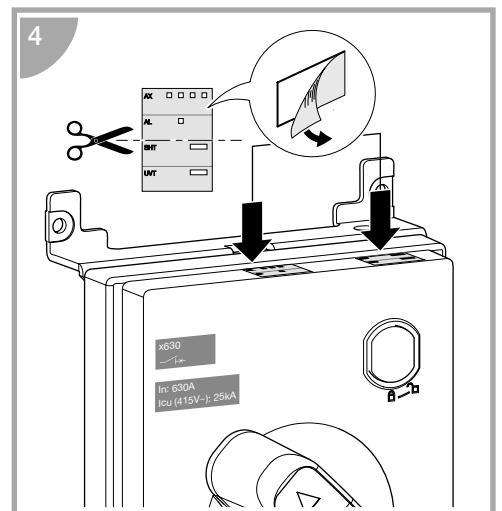
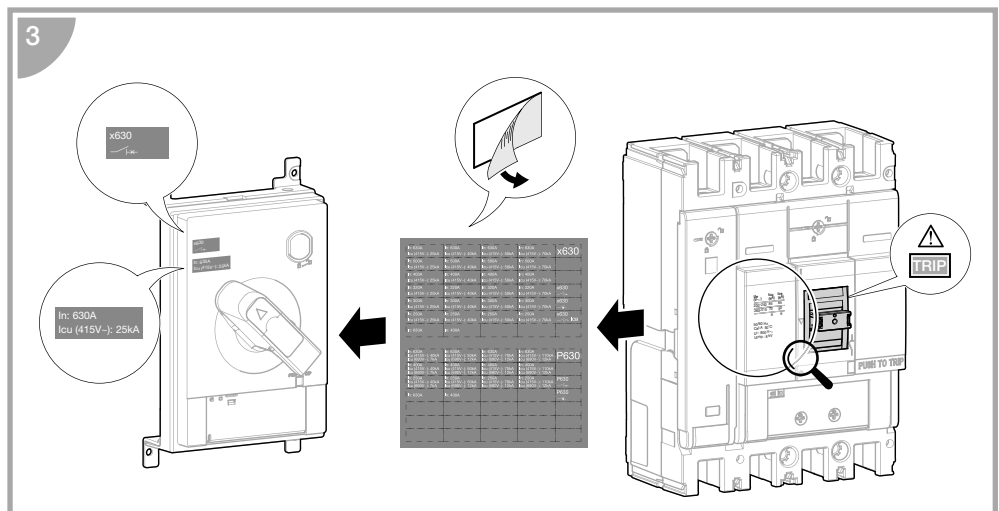
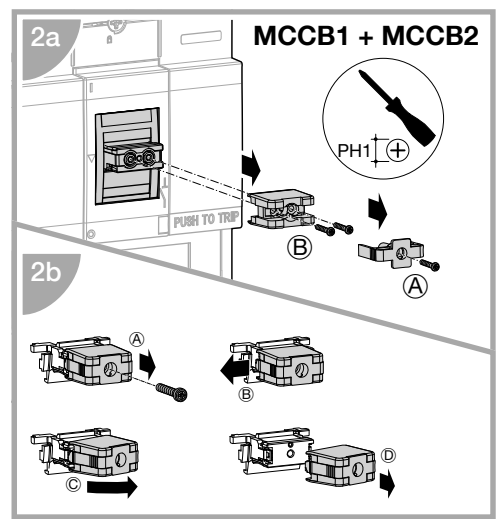
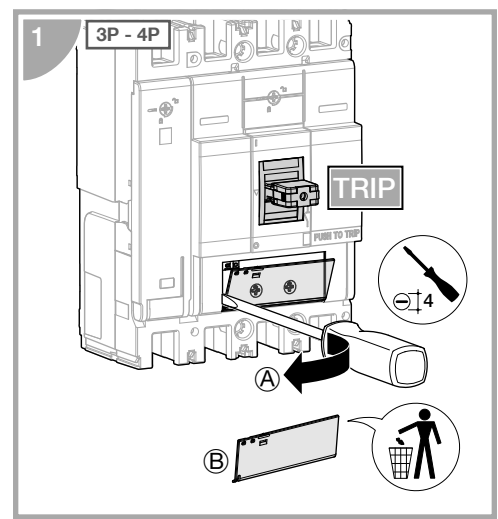
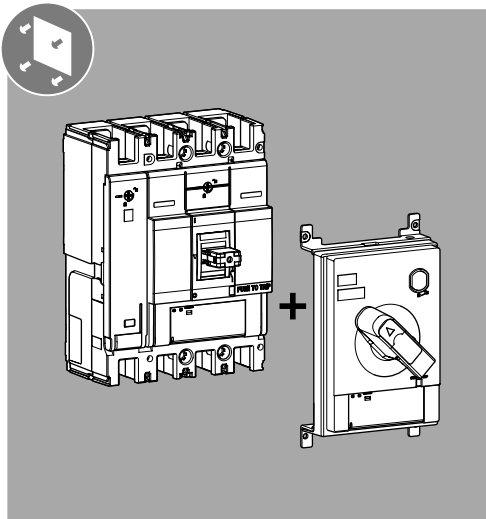
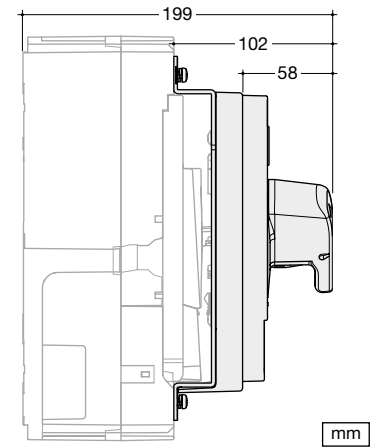
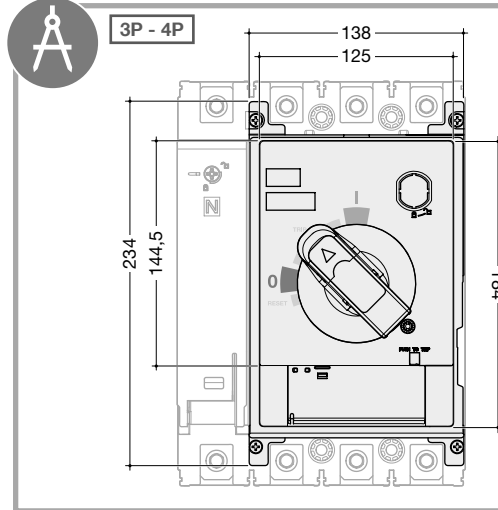
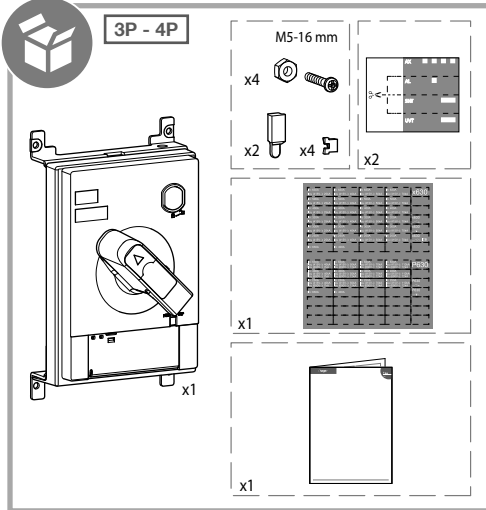
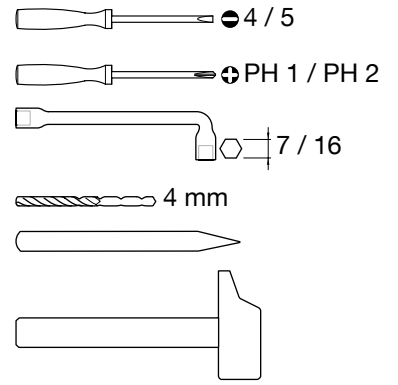
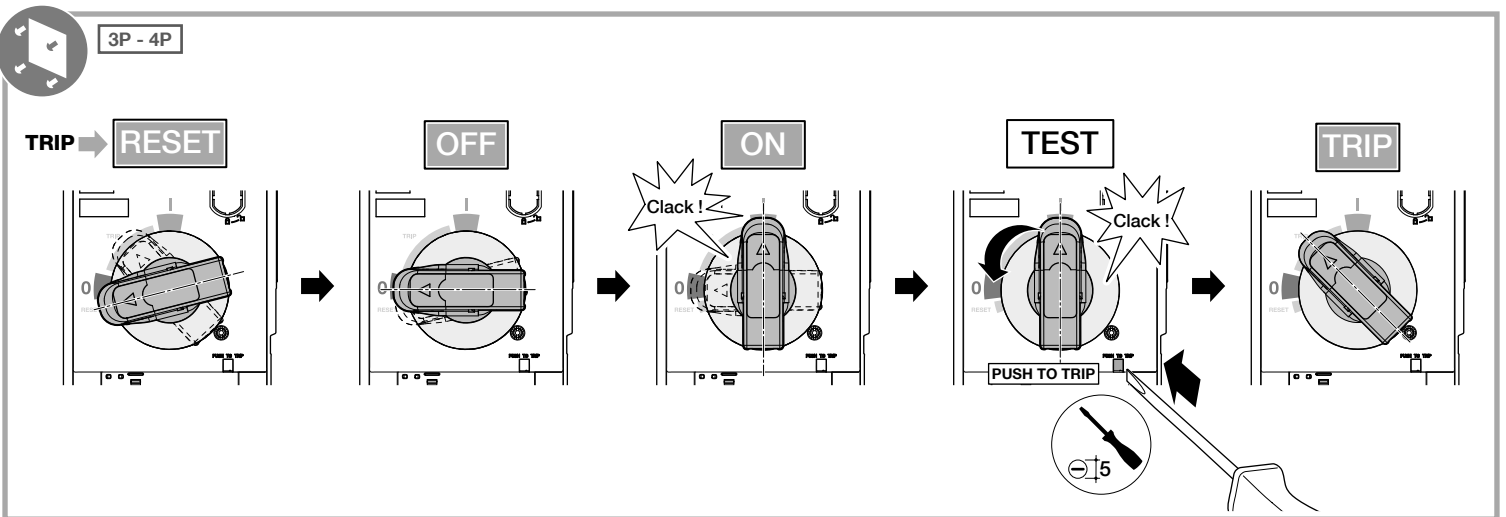
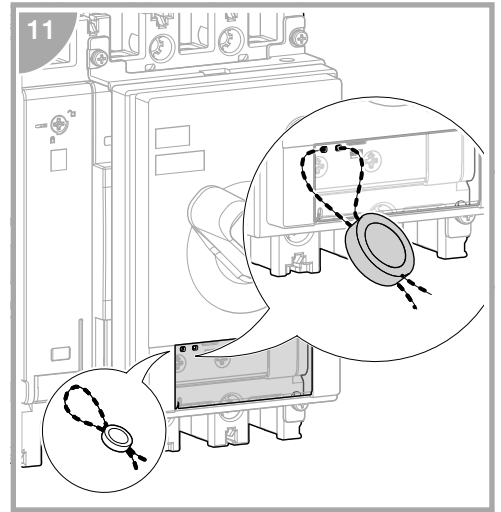
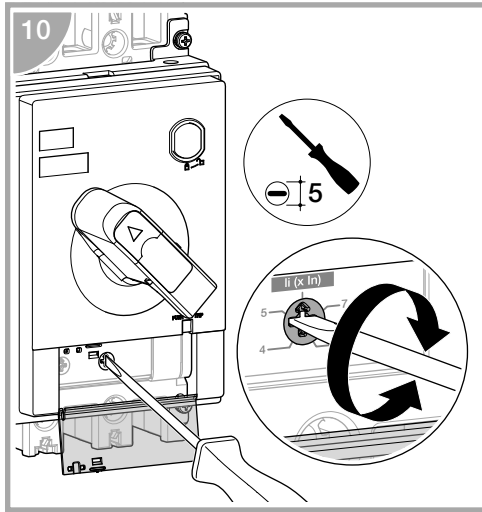
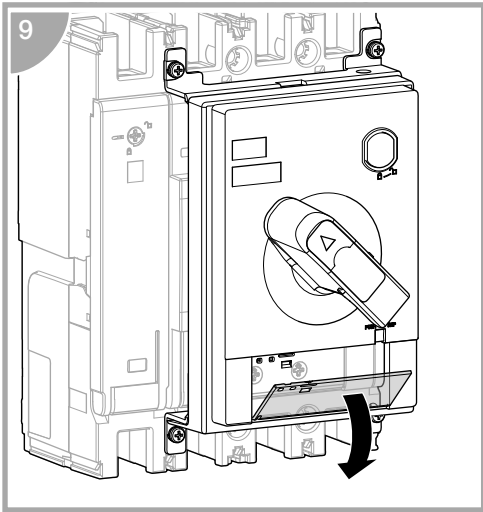
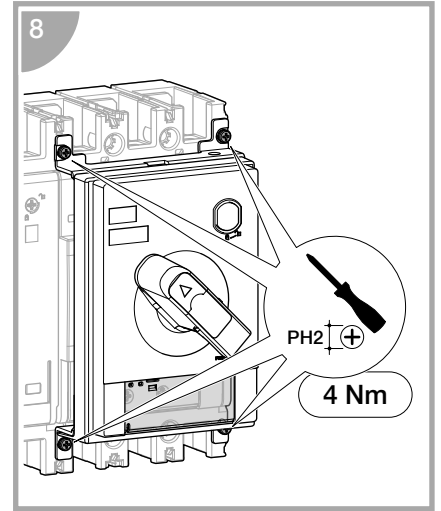
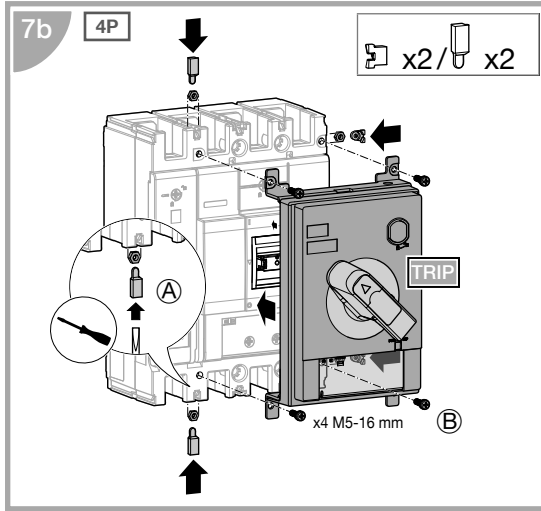
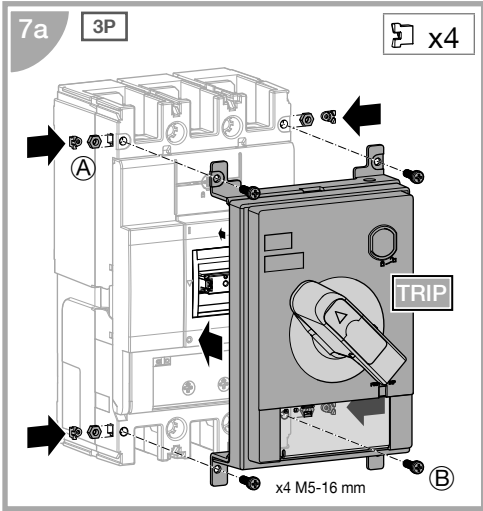
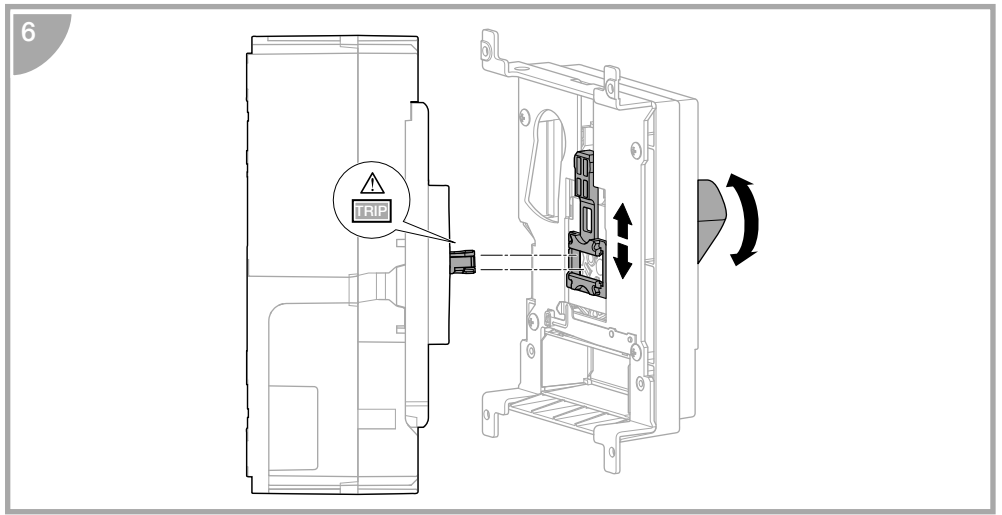
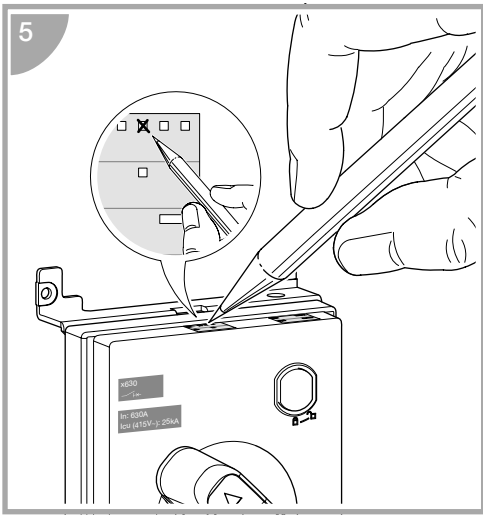


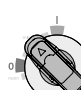
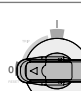



P630 - x630 HXW030H



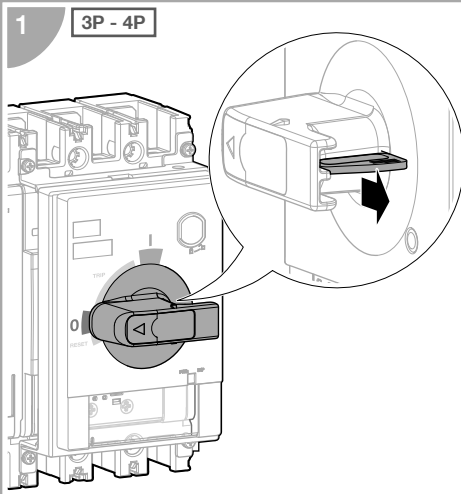




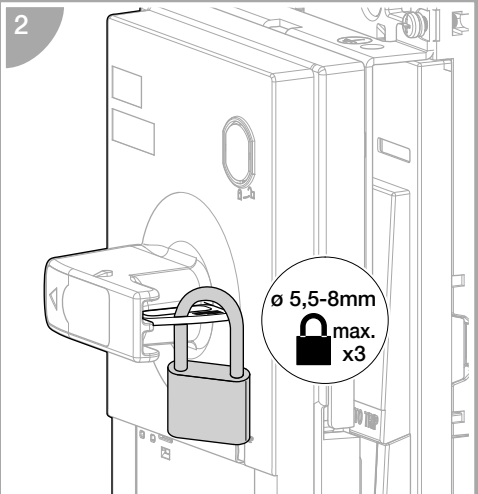
①		ON	✓
②		TRIP	-
③		OFF	✓




1 **3P - 4P**

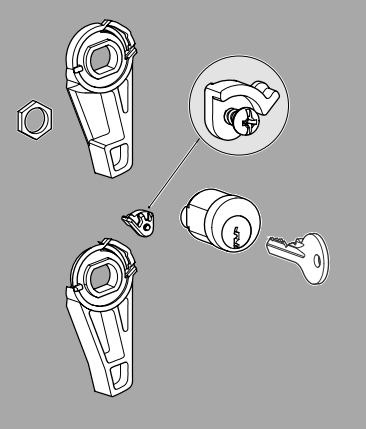


2

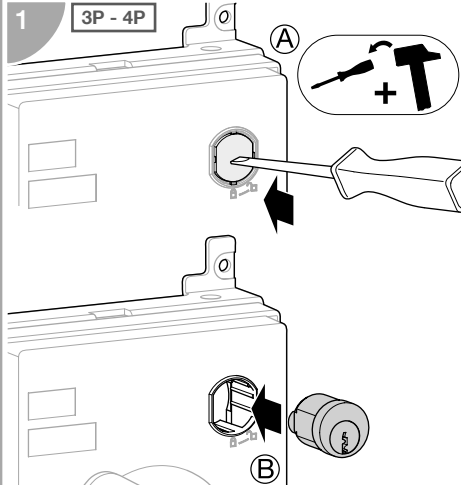


ø 5,5-8mm
max.
x3

 **HXW888H**



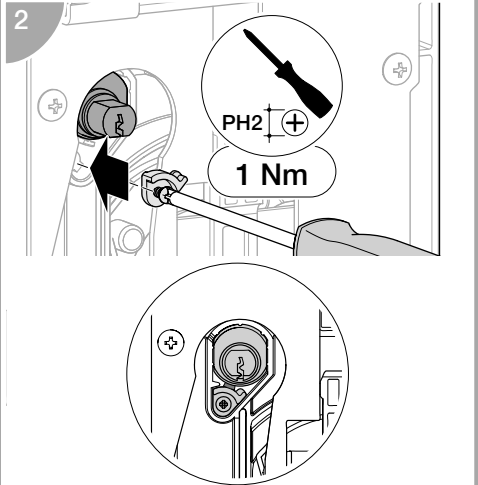
1 **3P - 4P**



A

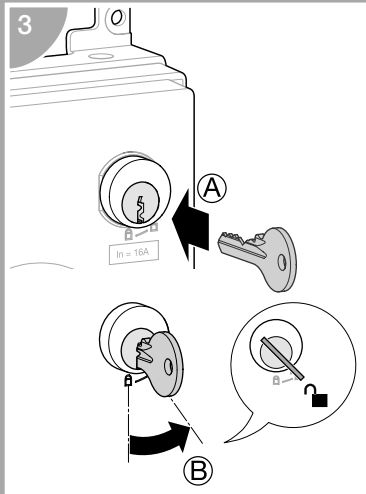
B

2



PH2 \oplus
1 Nm





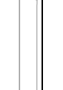

3

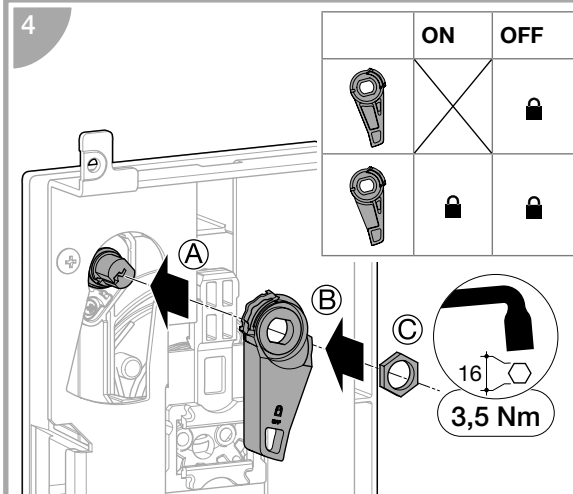


A

B

4

	ON	OFF
		
		



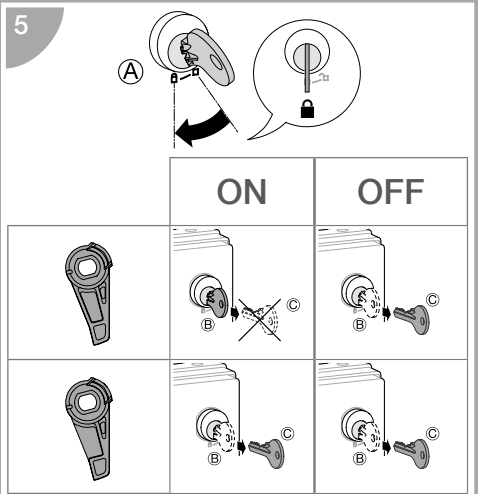
A

B







C

16
3,5 Nm

5




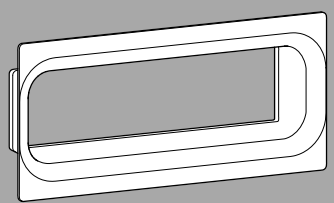
A

	ON	OFF
		
		

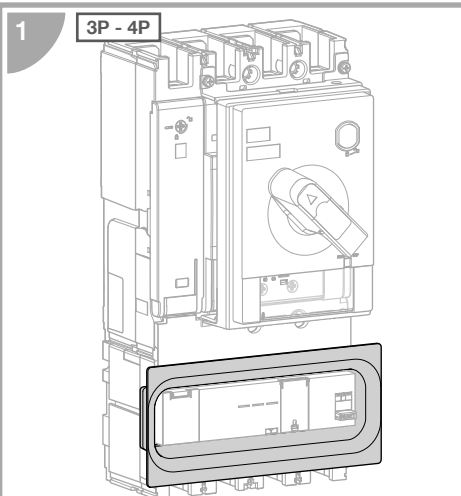
B

C





1 **3P - 4P**



2

