

7300...**ARNO**

BIBCOCK

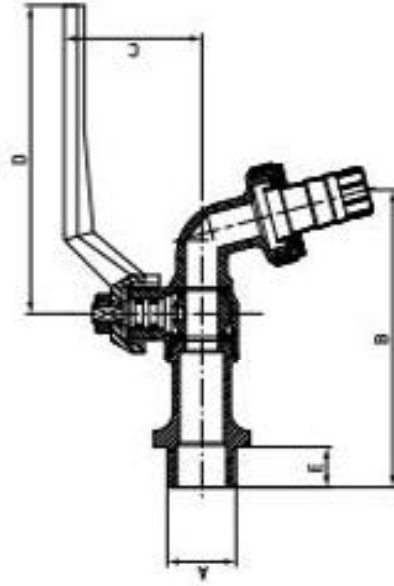
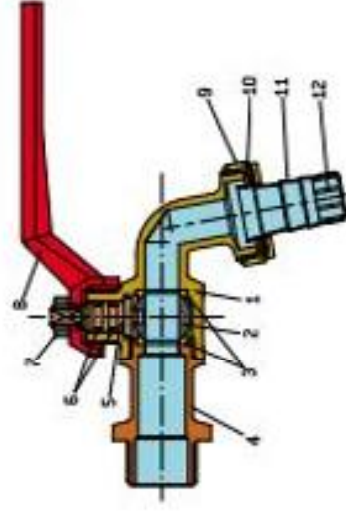
- Bibcock with aluminium lever and hose-end
- Thread: ISO 228
- Finish: sandblasted and nickel plated
- Temperature range: 0°C to +95°C

This tap is particularly indicated for distributing and shutting off generally non-corrosive fluids that are compatible with the valve materials. Excellent fields of application are plant engineering for plumbing and heating, industry and agriculture.

It is a reduced-bore tap and ball seal is provided by two PTFE seats.

Seal of the manoeuvring part is provided by two NBR O-rings with the stem mounted from inside and a bottom-loaded system.

It is advisable to perform a complete manoeuvring cycle at least once every 3 months to prevent the formation of limescale, which would affect operation.



COMPONENTS:

POSN.	PART NAME	No. Pcs.	MATERIAL
1	Body	1	CW617N UNI-EN 12165 Nickel-plated
2	Ball	1	CW617N UNI-EN 12164 Chrome-plated
3	Seal	2	PTFE
4	Collar	1	CW617N UNI-EN 12165 Nickel-plated
5	Stem	1	CW617N UNI-EN 12164
6	O-ring	2	NBR
7	Nut	1	Galvanised iron
8	Lever	1	Lacquered aluminium
9	Fly nut	1	CW617N UNI-EN 12165 Nickel-plated
10	Pipe gasket	1	NBR
11	Pipe	1	CW508L UNI-EN 1652 Nickel-plated
12	Nozzle	1	Nylon

DIMENSIONS:

DN	A	B	C	D	E	PN
15	1/2"	89	40	92	12	20
20	3/4"	102	43	92	15	20
25	1"	126	45	92	16	20

PACKAGING:

CODE	1/2"	3/4"	1"
	73000204R	73000206R	73000208R
PIECES PER BOX	12	10	6
PIECES PER CARTON	180	150	90