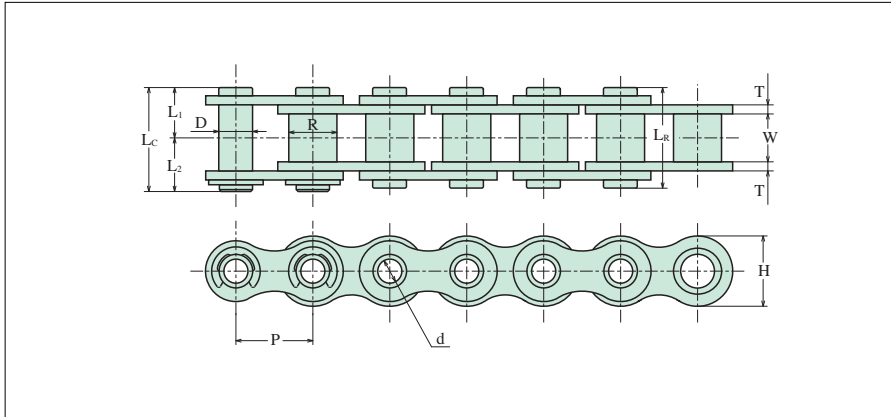


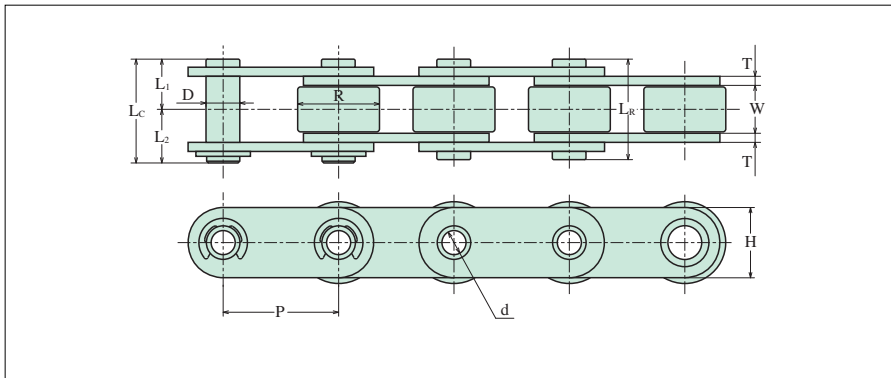
Stainless Hollow Pin Chains



STAINLESS HP STANDARD

Chain No.	Dimensions - mm											Average Ultimate Strength	Maximum Allowable Load	Weight
	Pitch	Bushing		Hollows Pin						Plate				
		Width	Dia.	Outside	Inside	Length				Height	Thick.			
P	W	R	D	d	LR	LC	L1	L2	H	T				
40HP-SS	12.70	7.95	7.92	5.63	4.03	16.7	17.6	8.4	9.2	12.0	1.5	7.65	0.44	0.58
50HP-SS	15.875	9.53	10.16	7.09	5.13	20.1	21.3	10.1	11.2	15.0	2.0	11.8	0.69	0.97
60HP-SS	19.05	12.70	11.91	8.29	6.04	26.0	27.2	13.0	14.2	18.1	2.4	17.1	1.03	1.46
80HP-SS	25.40	15.88	15.88	11.34	8.08	32.4	34.3	16.2	18.1	24.1	3.2	31.0	1.77	2.47

Double Pitch Stainless Hollow Pin Chains



STAINLESS HP DOUBLE PITCH

Chain No.	Dimensions - mm											Average Ultimate Strength	Maximum Allowable Load	Weight
	Pitch	Roller		Hollows Pin						Plate				
		Width	Dia.	Outside	Inside	Length				Height	Thick.			
P	W	R	D	d	LR	LC	L1	L2	H	T				
C2040HP-SS	25.40	7.95	7.92	5.63	4.03	16.7	17.6	8.4	9.2	12.0	1.5	7.65	0.44	0.46
C2050HP-SS	31.75	9.53	10.16	7.09	5.13	20.1	21.3	10.1	11.2	15.0	2.0	11.8	0.69	0.76
C2060HP-SS	38.10	12.70	11.91	8.29	6.04	26.0	27.2	13.0	14.2	18.1	2.4	17.1	1.03	1.12
C2080HP-SS	50.80	15.88	15.88	11.34	8.08	32.4	34.3	16.2	18.1	24.1	3.2	31.0	1.77	1.98
C2042HP-SS	25.40	7.95	15.88	5.63	4.03	16.7	17.6	8.4	9.2	12.0	1.5	7.65	0.44	0.81
C2052HP-SS	31.75	9.53	19.05	7.09	5.13	20.1	21.3	10.1	11.2	15.0	2.0	11.8	0.69	1.25
C2062HP-SS	38.10	12.70	22.23	8.29	6.04	26.0	27.2	13.0	14.2	18.1	2.4	17.1	1.03	1.79
C2082HP-SS	50.80	15.88	28.58	11.34	8.08	32.4	34.3	16.2	18.1	24.1	3.2	31.0	1.77	3.17

Note: ※C2040HP thru C2080HP are rollerless; R shows bushing dia.