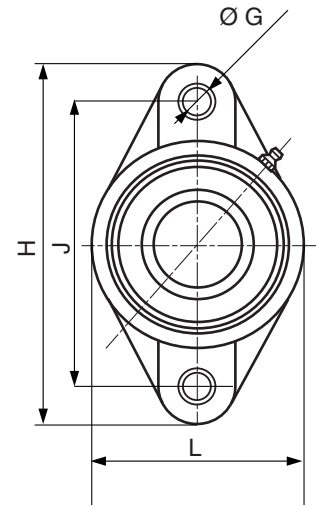
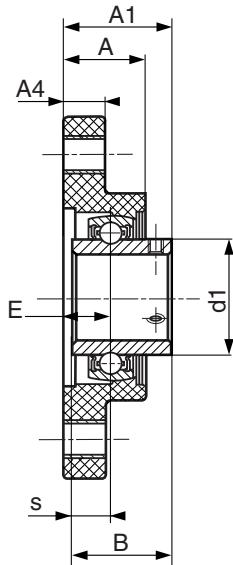


GSFT (metric)



Part number		Dimensions (mm)						
Bearing units	Bearings	Bore d	L	H	J	G	A	A1
GSFT20	MUC 204 FD	20	64.8	130.0	90.0	11	26.50	33.70
GSFT25	MUC 205 FD	25	70.0	130.0	99.0	11	29.70	36.70
GSFT30	MUC 206 FD	30	80.0	148.0	117.0	11	30.50	41.20
GSFT35	MUC 207 FD	35	90.0	163.0	130.0	13	32.80	43.40
GSFT40	MUC 208 FD	40	100.0	175.0	144.0	14	37.50	51.70

Nota bene: "inch series" insert bearing can be delivered upon request.



Dimensions (mm)					Basic load rating x 1,000 Newtons	Limiting speed	Weight
A4	E±IT 14	B	s	d1	C ₀ Static	rpm	kg
11.40	15.4	31.00	12.70	29.00	2.20	7,400	0.25
13.50	17.0	34.00	14.30	34.00	2.20	6,200	0.30
13.30	19.0	38.10	15.90	40.50	2.90	5,300	0.45
16.10	18.0	42.90	17.50	48.00	3.20	4,500	0.67
20.00	21.5	49.20	19.00	53.00	3.20	4,000	0.88