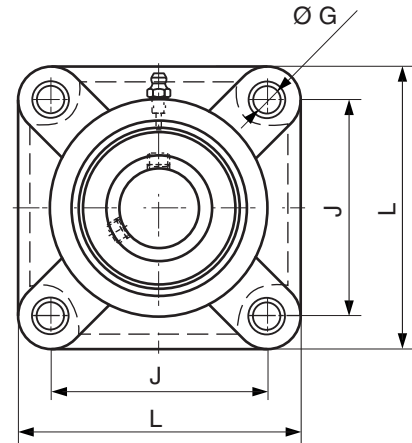
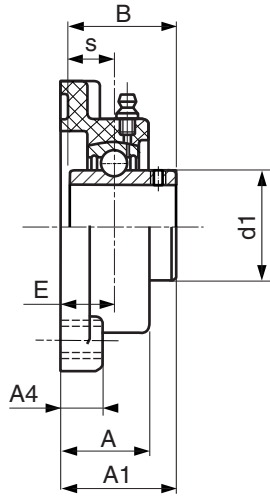


## GSF (metric)



Part number		Dimensions (mm)					
Bearing units	Bearings	Bore d	L	J	G	A	A1
<b>GSF20</b>	MUC 204 FD	20	86	63.5	11	27.8	36.3
<b>GSF25</b>	MUC 205 FD	25	95	70.0	11	28.0	36.7
<b>GSF30</b>	MUC 206 FD	30	107	83.0	11	31.5	41.4
<b>GSF35</b>	MUC 207 FD	35	118	92.0	13	34.8	46.9
<b>GSF40</b>	MUC 208 FD	40	130	102.0	14	37.5	53.2

Nota bene: "inch series" insert bearing can be delivered upon request.



Dimensions (mm)					Basic load rating x 1,000 Newtons	Limiting speed	Weight
A4	E±IT 14	B	s	d1	C <sub>0</sub> Static	rpm	kg
13.4	18.0	31.0	12.7	29.0	1.60	7,400	0.30
14.3	17.0	34.0	14.3	34.0	1.70	6,200	0.36
14.3	19.2	38.1	15.9	40.5	2.30	5,300	0.51
15.5	21.5	42.9	17.5	48.0	3.10	4,500	0.75
17.0	23.0	49.2	19.0	53.0	3.10	4,000	0.98