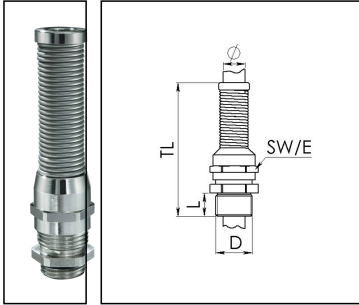


EMSKVS 32

Cable gland, brass with bend protection and short thread



Product illustrations are exemplary and may differ from the chosen product. Further variants and individual customization, we will gladly provide you on request.



Material cable gland	Brass nickel-plated
Material clamping cage	Polyamide
Material sealing gasket	EPDM
Temp. range min	-40 °C
Temp. range max	100 °C
Intermittent temp. range	120 °C
Protection class	IP 68, 5 bar 30 min, IP 69K
Thread type	M
Connection thread size D	32
Lead	1,5
Length screw-in thread L	8 mm
Cable diameter min	13 mm
Cable diameter max	21 mm
Cable Diameter UL	14,6 mm - 19,5 mm
Key width SW	36 mm
Collar diameter (E)	40 mm
Total length TL	146 mm - 154 mm
Impact category	6
Surface	Nickel-plated
Order no. nickel-plated	10065834
Packing unit	25
Type	EMSKVS 32
ETIM-Classification	EC000441

Recommended accessories

RDE 32	10062186
EMMU 32	10063145
BS 14	10064011
BS 21	10064014
MFD 32/04/070	10064344
MFD 32/06/060	10064345
MFD 32/04/080	10064950
MFD 32/03/080	10101018
MFD 32/05/070	10101140
MFD 32/01/115-01/085	10101256
MFD 32/03/065	10102169
MFD 32/03/090	10102170

11.12.2014