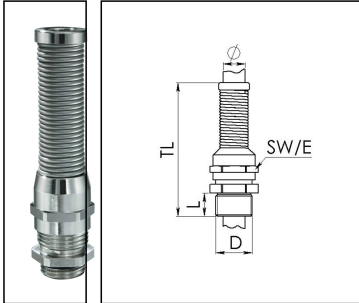


EMSKVS 25

Cable gland, brass with bend protection and short thread



Product illustrations are exemplary and may differ from the chosen product. Further variants and individual customization, we will gladly provide you on request.



| | |
|--------------------------|-----------------------------|
| Material cable gland | Brass nickel-plated |
| Material clamping cage | Polyamide |
| Material sealing gasket | EPDM |
| Temp. range min | -40 °C |
| Temp. range max | 100 °C |
| Intermittent temp. range | 120 °C |
| Protection class | IP 68, 5 bar 30 min, IP 69K |
| Thread type | M |
| Connection thread size D | 25 |
| Lead | 1,5 |
| Length screw-in thread L | 7 mm |
| Cable diameter min | 9 mm |
| Cable diameter max | 17 mm |
| Cable Diameter UL | 10,8 mm - 15,8 mm |
| Key width SW | 29 mm |
| Collar diameter (E) | 32 mm |
| Total length TL | 120 mm - 129 mm |
| Impact category | 6 |
| Surface | Nickel-plated |
| Order no. nickel-plated | 10065833 |
| Packing unit | 50 |
| Type | EMSKVS 25 |
| ETIM-Classification | EC000441 |

Recommended accessories

| | |
|-----------------------------|----------|
| MFD 25/02/060 | 10060452 |
| RDE 25 | 10060768 |
| MFD 25/02/080 | 10060952 |
| MFD 25/01/065 | 10060954 |
| EMMU 25 | 10063144 |
| MFD 25/02/070 | 10063995 |
| BS 12 | 10064009 |
| BS 17 | 10064012 |
| MFD 25/03/070 | 10064342 |
| MFD 25/04/060 | 10064343 |
| MFD 25/01/090 | 10101016 |
| MFD 25/01/105-01/055 | 10101255 |
| MFD 25/05/056 | 10102023 |

11.12.2014