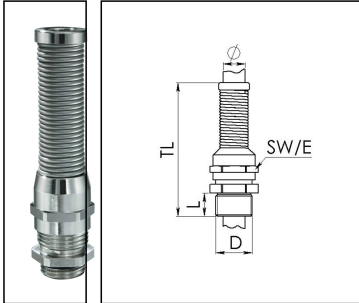


## EMSKVS 16

Cable gland, brass with bend protection and short thread



Product illustrations are exemplary and may differ from the chosen product. Further variants and individual customization, we will gladly provide you on request.



Material cable gland	Brass nickel-plated
Material clamping cage	Polyamide
Material sealing gasket	EPDM
Temp. range min	-40 °C
Temp. range max	100 °C
Intermittent temp. range	120 °C
Protection class	IP 68, 5 bar 30 min, IP 69K
Thread type	M
Connection thread size D	16
Lead	1,5
Length screw-in thread L	5 mm
Cable diameter min	4,5 mm
Cable diameter max	10 mm
Cable Diameter UL	6 mm - 8,6 mm
Key width SW	20 mm
Collar diameter (E)	22 mm
Total length TL	76 mm - 84 mm
Impact category	6
Surface	Nickel-plated
Order no. nickel-plated	10065831
Packing unit	50
Type	EMSKVS 16
ETIM-Classification	EC000441

Recommended accessories

<b>RDE 16</b>	10062184
<b>EMMU 16</b>	10063142
<b>BS 6</b>	10064004
<b>BS 10</b>	10064008
<b>MFD 16/02/040</b>	10064393
<b>MFD 16/03/021</b>	10101014

11.12.2014