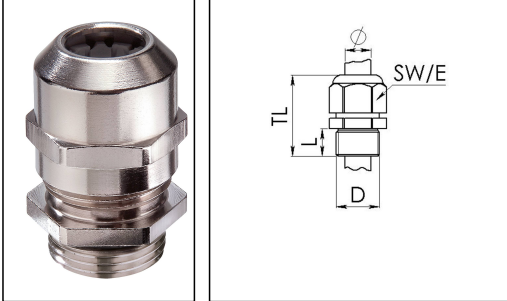


EMSKV 50-63

Enlarging cable gland, brass



Product illustrations are exemplary and may differ from the chosen product. Further variants and individual customization, we will gladly provide you on request.



Material cable gland	Brass nickel-plated
Material clamping cage	Polyamide
Material sealing gasket	EPDM
Temp. range min	-40 °C
Temp. range max	100 °C
Intermittent temp. range	120 °C
Protection class	IP 68, 5 bar 30 min, IP 69K
Thread type	M
Connection thread size D	50
Lead	1,5
Length screw-in thread L	10 mm
Cable diameter min	34 mm
Cable diameter max	48 mm
Key width SW	68 mm
Collar diameter (E)	75 mm
Total length TL	56 mm - 67 mm
Impact category	6
Surface	Nickel-plated
Order no. nickel-plated	10101941
Packing unit	10
Type	EMSKV 50-63
ETIM-Classification	EC000441

Recommended accessories

RDE 50	10062188
MFD 50/25/050	10063102
EMMU 50	10063147
BS 25	10064015
MFD 50/09/080	10064394

11.12.2014