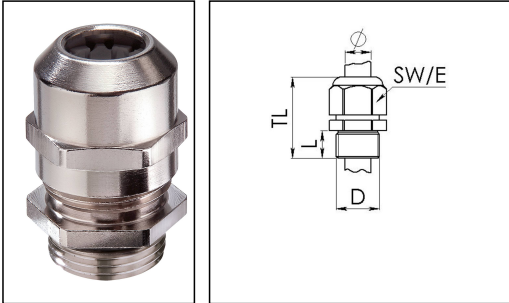


## EMSKV 40-50

Enlarging cable gland, brass



Product illustrations are exemplary and may differ from the chosen product. Further variants and individual customization, we will gladly provide you on request.



Material cable gland	Brass nickel-plated
Material clamping cage	Polyamide
Material sealing gasket	EPDM
Temp. range min	-40 °C
Temp. range max	100 °C
Intermittent temp. range	120 °C
Protection class	IP 68, 5 bar 30 min, IP 69K
Thread type	M
Connection thread size D	40
Lead	1,5
Length screw-in thread L	8 mm
Cable diameter min	21 mm
Cable diameter max	35 mm
Key width SW	55 mm
Collar diameter (E)	61 mm
Total length TL	50 mm - 61 mm
Impact category	6
Surface	Nickel-plated
Order no. nickel-plated	10101365
Packing unit	10
Type	EMSKV 40-50
ETIM-Classification	EC000441

## Recommended accessories

<b>RDE 40</b>	10062187
<b>EMMU 40</b>	10063146
<b>BS 20</b>	10064013
<b>MFD 40/08/060</b>	10064346
<b>MFD 40/07/080</b>	10064347
<b>MFD 40/07/070</b>	10064348
<b>MFD 40/04/100</b>	10101017
<b>MFD 40/09/069</b>	10101427
<b>MFD 40/03/125</b>	10102054
<b>MFD 40/06/065</b>	10102171
<b>MFD 40/06/090</b>	10102172

11.12.2014