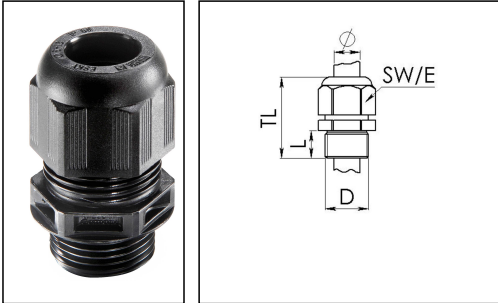


ESKV 50

Cable gland, polyamide with short thread



Product illustrations are exemplary and may differ from the chosen product. Further variants and individual customization, we will gladly provide you on request.



Material cable gland	Polyamide
Material sealing gasket	EPDM
Protection class	IP 68, 5 bar 30 min, IP 69K
Temp. range min	-40 °C
Temp. range max	100 °C
Intermittent temp. range	120 °C
Glow wire test	750 °C
Thread type	M
Connection thread size D	50
Lead	1,5
Length screw-in thread L	14 mm
Cable diameter min	21 mm
Cable diameter max	35 mm
Cable Diameter UL	24,3 mm - 33,4 mm
Key width SW	55 mm
Collar diameter (E)	61 mm
Total length TL	59 mm - 72 mm
Type of cable anchorage	A
Install. torques fitting	30 N m
Impact category	5
Install. torques cap nut	30 N m
Advice	VDE - Approval: -20°C - 100°C
Product Color	RAL 9005
Type	ESKV 50
Order no. RAL 9005	10066126

Packing unit

4

ETIM-Classification

EC000441

Recommended accessories

EMUG 50	10060776
RDE 50	10062188
EADR 50	10062807
MFD 50/25/050	10063102
BS 25	10064015
MFD 50/09/080	10064394

11.12.2014