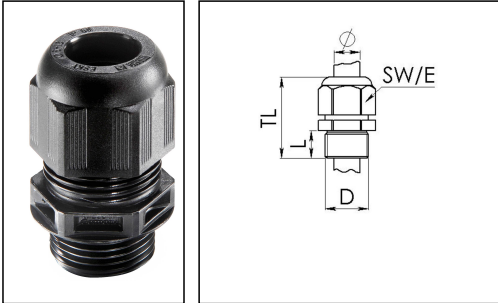


## ESKV 40

Cable gland, polyamide with short thread



Product illustrations are exemplary and may differ from the chosen product. Further variants and individual customization, we will gladly provide you on request.



|                          |                               |
|--------------------------|-------------------------------|
| Material cable gland     | Polyamide                     |
| Material sealing gasket  | EPDM                          |
| Protection class         | IP 68, 5 bar 30 min, IP 69K   |
| Temp. range min          | -40 °C                        |
| Temp. range max          | 100 °C                        |
| Intermittent temp. range | 120 °C                        |
| Glow wire test           | 750 °C                        |
| Thread type              | M                             |
| Connection thread size D | 40                            |
| Lead                     | 1,5                           |
| Length screw-in thread L | 12 mm                         |
| Cable diameter min       | 16 mm                         |
| Cable diameter max       | 28 mm                         |
| Cable Diameter UL        | 17,4 mm - 26,4 mm             |
| Key width SW             | 46 mm                         |
| Collar diameter (E)      | 51 mm                         |
| Total length TL          | 52 mm - 65 mm                 |
| Type of cable anchorage  | A                             |
| Install. torques fitting | 20 N m                        |
| Impact category          | 4                             |
| Install. torques cap nut | 20 N m                        |
| Advice                   | VDE - Approval: -20°C - 100°C |
| Product Color            | RAL 9005                      |
| Type                     | ESKV 40                       |
| Order no. RAL 9005       | 10066125                      |

Packing unit

10

ETIM-Classification

EC000441

Recommended accessories

|                      |          |
|----------------------|----------|
| <b>EMUG 40</b>       | 10060775 |
| <b>RDE 40</b>        | 10062187 |
| <b>EADR 40</b>       | 10062806 |
| <b>BS 20</b>         | 10064013 |
| <b>MFD 40/08/060</b> | 10064346 |
| <b>MFD 40/07/080</b> | 10064347 |
| <b>MFD 40/07/070</b> | 10064348 |
| <b>MFD 40/04/100</b> | 10101017 |
| <b>MFD 40/09/069</b> | 10101427 |
| <b>MFD 40/03/125</b> | 10102054 |
| <b>MFD 40/06/065</b> | 10102171 |
| <b>MFD 40/06/090</b> | 10102172 |

11.12.2014