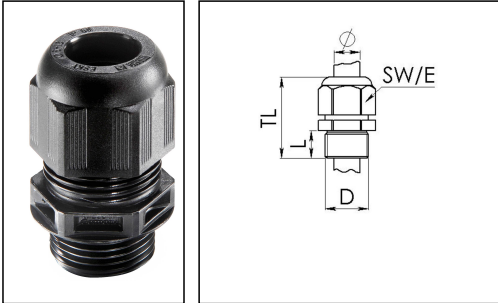


ESKV 25

Cable gland, polyamide with short thread



Product illustrations are exemplary and may differ from the chosen product. Further variants and individual customization, we will gladly provide you on request.



Material cable gland	Polyamide
Material sealing gasket	EPDM
Protection class	IP 68, 5 bar 30 min, IP 69K
Temp. range min	-40 °C
Temp. range max	100 °C
Intermittent temp. range	120 °C
Glow wire test	750 °C
Thread type	M
Connection thread size D	25
Lead	1,5
Length screw-in thread L	10 mm
Cable diameter min	9 mm
Cable diameter max	17 mm
Cable Diameter UL	10,8 mm - 15,8 mm
Key width SW	29 mm
Collar diameter (E)	32 mm
Total length TL	38 mm - 47 mm
Type of cable anchorage	A
Install. torques fitting	10 N m
Impact category	4
Install. torques cap nut	4 N m
Advice	VDE - Approval: -20°C - 100°C
Product Color	RAL 9005
Type	ESKV 25
Order no. RAL 9005	10066123

Packing unit

50

ETIM-Classification

EC000441

Recommended accessories

MFD 25/02/060	10060452
RDE 25	10060768
EMUG 25	10060773
MFD 25/02/080	10060952
MFD 25/01/065	10060954
EADR 25	10062804
MFD 25/02/070	10063995
BS 12	10064009
MFD 25/03/070	10064342
MFD 25/04/060	10064343
MFD 25/01/090	10101016
MFD 25/01/105-01/055	10101255
MFD 25/05/056	10102023

11.12.2014