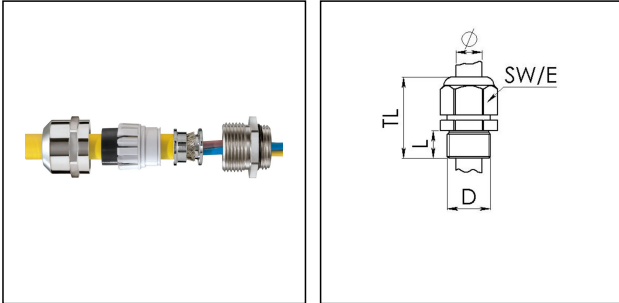


ESSKV 63 EMV-Z

EMC-cable gland, stainless steel



Product illustrations are exemplary and may differ from the chosen product. Further variants and individual customization, we will gladly provide you on request.



Material cable gland	Stainless steel A2 (1.4305)
Material sealing gasket	EPDM
Material clamping cage	Polyamide
Material earthing insert	Brass chromium-plated
Temp. range min	-40 °C
Temp. range max	100 °C
Intermittent temp. range	120 °C
Protection class	IP 68, 5 bar 30 min, IP 69K
Thread type	M
Connection thread size D	63
Lead	1,5
Length screw-in thread L	10 mm
Cable diameter min	34 mm
Cable diameter max	48 mm
Cable Diam. below cable shield	45 mm
Cable Diameter UL	38,1 mm - 47,5 mm
Key width SW	68 mm
Collar diameter (E)	75 mm
Total length TL	56 mm - 67 mm
Type	ESSKV 63 EMV-Z
ETIM-Classification	EC000441
Packing unit	1

Recommended accessories

RDE 63	10062189
BS 38	10064018
BS 48	10064019
ESMU 63	10064195

19.11.2014