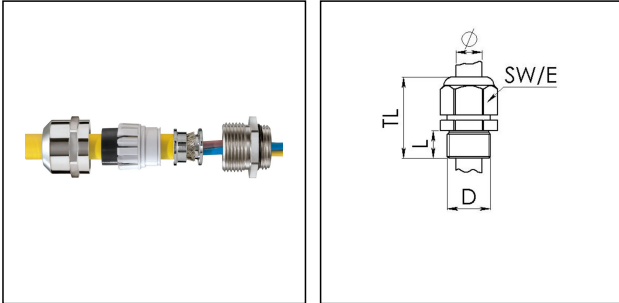


ESSKV 40 EMV-Z

EMC-cable gland, stainless steel



Product illustrations are exemplary and may differ from the chosen product. Further variants and individual customization, we will gladly provide you on request.



| | |
|--------------------------------|-----------------------------|
| Material cable gland | Stainless steel A2 (1.4305) |
| Material sealing gasket | EPDM |
| Material clamping cage | Polyamide |
| Material earthing insert | Brass chromium-plated |
| Temp. range min | -40 °C |
| Temp. range max | 100 °C |
| Intermittent temp. range | 120 °C |
| Protection class | IP 68, 5 bar 30 min, IP 69K |
| Thread type | M |
| Connection thread size D | 40 |
| Lead | 1,5 |
| Length screw-in thread L | 8 mm |
| Cable diameter min | 16 mm |
| Cable diameter max | 28 mm |
| Cable Diam. below cable shield | 26 mm |
| Cable Diameter UL | 17,4 mm - 26,4 mm |
| Key width SW | 46 mm |
| Collar diameter (E) | 50 mm |
| Total length TL | 44 mm - 55 mm |
| Type | ESSKV 40 EMV-Z |
| ETIM-Classification | EC000441 |
| Packing unit | 5 |

Recommended accessories

| | |
|----------------|----------|
| RDE 40 | 10062187 |
| BS 20 | 10064013 |
| BS 28 | 10064016 |
| ESMU 40 | 10064193 |

19.11.2014