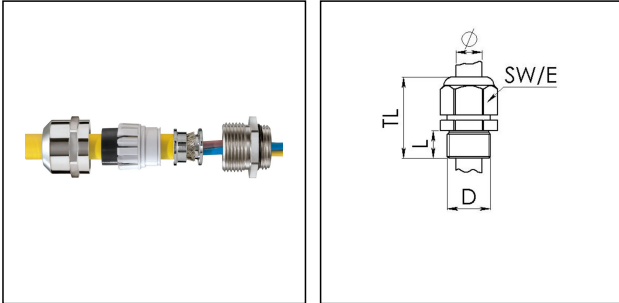


ESSKV 20 EMV-Z

EMC-cable gland, stainless steel



Product illustrations are exemplary and may differ from the chosen product. Further variants and individual customization, we will gladly provide you on request.



Material cable gland	Stainless steel A2 (1.4305)
Material sealing gasket	EPDM
Material clamping cage	Polyamide
Material earthing insert	Brass chromium-plated
Temp. range min	-40 °C
Temp. range max	100 °C
Intermittent temp. range	120 °C
Protection class	IP 68, 5 bar 30 min, IP 69K
Thread type	M
Connection thread size D	20
Lead	1,5
Length screw-in thread L	6 mm
Cable diameter min	6 mm
Cable diameter max	13 mm
Cable Diam. below cable shield	9,5 mm
Cable Diameter UL	7,5 mm - 11,3 mm
Key width SW	24 mm
Collar diameter (E)	27 mm
Total length TL	29 mm - 37 mm
Type	ESSKV 20 EMV-Z
ETIM-Classification	EC000441
Packing unit	10

Recommended accessories

RDE 20	10062185
BS 8	10064006
BS 13	10064010
ESMU 20	10064190

19.11.2014