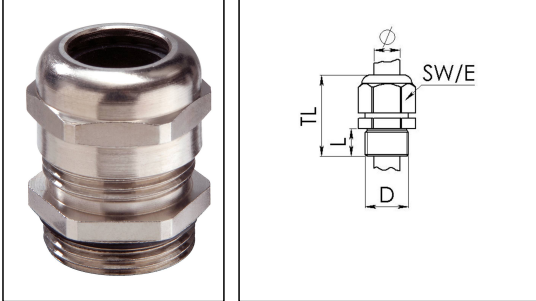


MSKV 16

Cable gland, brass



Product illustrations are exemplary and may differ from the chosen product. Further variants and individual customization, we will gladly provide you on request.



Material cable gland	Brass nickel-plated
Material clamping cage	Polyamide
Material sealing gasket	TPV
Temp. range min	-40 °C
Temp. range max	100 °C
Intermittent temp. range	120 °C
Protection class	IP 68, 5 bar 30 min, IP 69K
Thread type	PG
Connection thread size D	16
Length screw-in thread L	6,5 mm
Cable diameter min	10 mm
Cable diameter max	14 mm
Key width SW	24 mm
Collar diameter (E)	27 mm
Total length TL	30,5 mm
Impact category	6
Surface	Nickel-plated
Order no. nickel-plated	10062285
Type	MSKV 16
Packing unit	50
ETIM-Classification	EC000441

Recommended accessories

19.11.2014