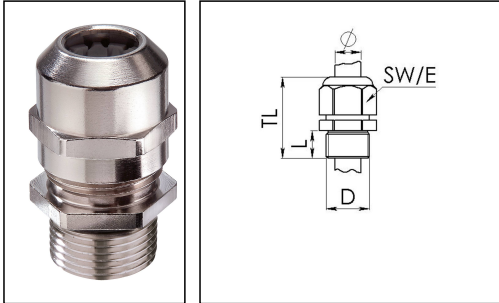


## EMSKV-L 25

Cable gland, brass with long thread



Product illustrations are exemplary and may differ from the chosen product. Further variants and individual customization, we will gladly provide you on request.



Material cable gland	Brass nickel-plated
Material clamping cage	Polyamide
Material sealing gasket	EPDM
Temp. range min	-40 °C
Temp. range max	100 °C
Intermittent temp. range	120 °C
Protection class	IP 69K, IP 68, 5 bar 30 min
Thread type	M
Connection thread size D	25
Lead	1,5
Length screw-in thread L	12 mm
Cable diameter min	9 mm
Cable diameter max	17 mm
Cable Diameter UL	10,8 mm - 15,8 mm
Key width SW	29 mm
Collar diameter (E)	32 mm
Total length TL	38 mm - 47 mm
Type of cable anchorage	A
Install. torques cap nut	10 N m
Impact category	6
Surface	Nickel-plated
Order no. nickel-plated	10065011
Packing unit	50
Type	EMSKV-L 25
ETIM-Classification	EC000441

Recommended accessories

<b>MFD 25/02/060</b>	10060452
<b>RDE 25</b>	10060768
<b>MFD 25/02/080</b>	10060952
<b>MFD 25/01/065</b>	10060954
<b>EMMU 25</b>	10063144
<b>MFD 25/02/070</b>	10063995
<b>BS 12</b>	10064009
<b>MFD 25/03/070</b>	10064342
<b>MFD 25/04/060</b>	10064343
<b>MFD 25/01/090</b>	10101016
<b>MFD 25/01/105-01/055</b>	10101255
<b>MFD 25/05/056</b>	10102023

14.11.2014