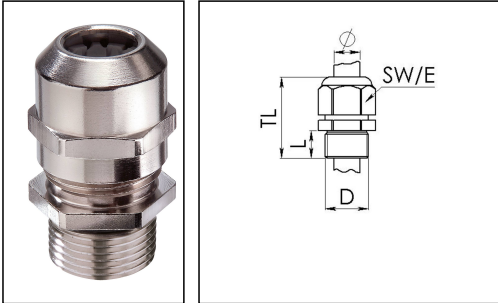


EMSKV-L 16

Cable gland, brass with long thread



Product illustrations are exemplary and may differ from the chosen product. Further variants and individual customization, we will gladly provide you on request.



Material cable gland	Brass nickel-plated
Material clamping cage	Polyamide
Material sealing gasket	EPDM
Temp. range min	-40 °C
Temp. range max	100 °C
Intermittent temp. range	120 °C
Protection class	IP 69K, IP 68, 5 bar 30 min
Thread type	M
Connection thread size D	16
Lead	1,5
Length screw-in thread L	12 mm
Cable diameter min	4,5 mm
Cable diameter max	10 mm
Cable Diameter UL	6 mm - 8,6 mm
Key width SW	20 mm
Collar diameter (E)	22 mm
Total length TL	33 mm - 41 mm
Type of cable anchorage	A
Install. torques cap nut	4 N m
Impact category	6
Surface	Nickel-plated
Order no. nickel-plated	10065009
Packing unit	50
Type	EMSKV-L 16
ETIM-Classification	EC000441

Recommended accessories

RDE 16	10062184
EMMU 16	10063142
BS 6	10064004
MFD 16/02/040	10064393
MFD 16/03/021	10101014

14.11.2014