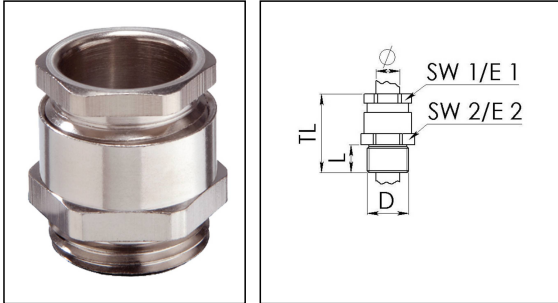


ESMKV 12

Cable gland, brass with short thread



Product illustrations are exemplary and may differ from the chosen product. Further variants and individual customization, we will gladly provide you on request.



Material cable gland	Brass nickel-plated
Material sealing gasket	Soft rubber
Temp. range min	-30 °C
Temp. range max	80 °C
Intermittent temp. range	100 °C
Protection class	IP 54
Thread type	M
Connection thread size D	12
Lead	1,5
Length screw-in thread L	5 mm
Cable diameter min	4 mm
Cable diameter max	6 mm
Key width SW1	12 mm
Key width SW2	14 mm
Collar diameter E1	13 mm
Collar diameter E2	16 mm
Total length TL	20 mm
Impact category	6
Surface	Nickel-plated
Order no. nickel-plated	10062870
Type	ESMKV 12
Packing unit	100
ETIM-Classification	EC000441

Recommended accessories

EMMU 12	10063141
ORD-E 12 + PG7	10064697

14.11.2014