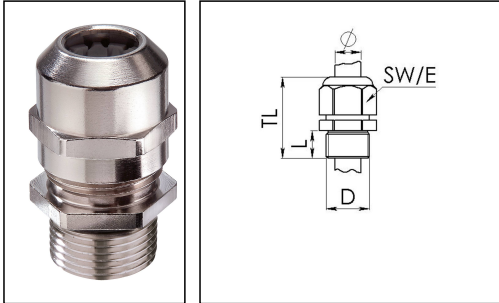


EMSKV-L 63

Cable gland, brass with long thread



Product illustrations are exemplary and may differ from the chosen product. Further variants and individual customization, we will gladly provide you on request.



Material cable gland	Brass nickel-plated
Material clamping cage	Polyamide
Material sealing gasket	EPDM
Temp. range min	-40 °C
Temp. range max	100 °C
Intermittent temp. range	120 °C
Protection class	IP 69K, IP 68, 5 bar 30 min
Thread type	M
Connection thread size D	63
Lead	1,5
Length screw-in thread L	15 mm
Cable diameter min	34 mm
Cable diameter max	48 mm
Cable Diameter UL	38,1 mm - 47,5 mm
Key width SW	68 mm
Total length TL	61 mm - 72 mm
Type of cable anchorage	A
Install. torques cap nut	40 N m
Impact category	6
Surface	Nickel-plated
Order no. nickel-plated	10065015
Packing unit	10
Type	EMSKV-L 63
ETIM-Classification	EC000441

Recommended accessories

RDE 63	10062189
EMMU 63	10063148
BS 38	10064018
MFD 63/01/131-01/118-03/084-02/064	10101114
MFD 63/03/065	10101201
MFD 63/02/065-01/090	10101223

14.11.2014