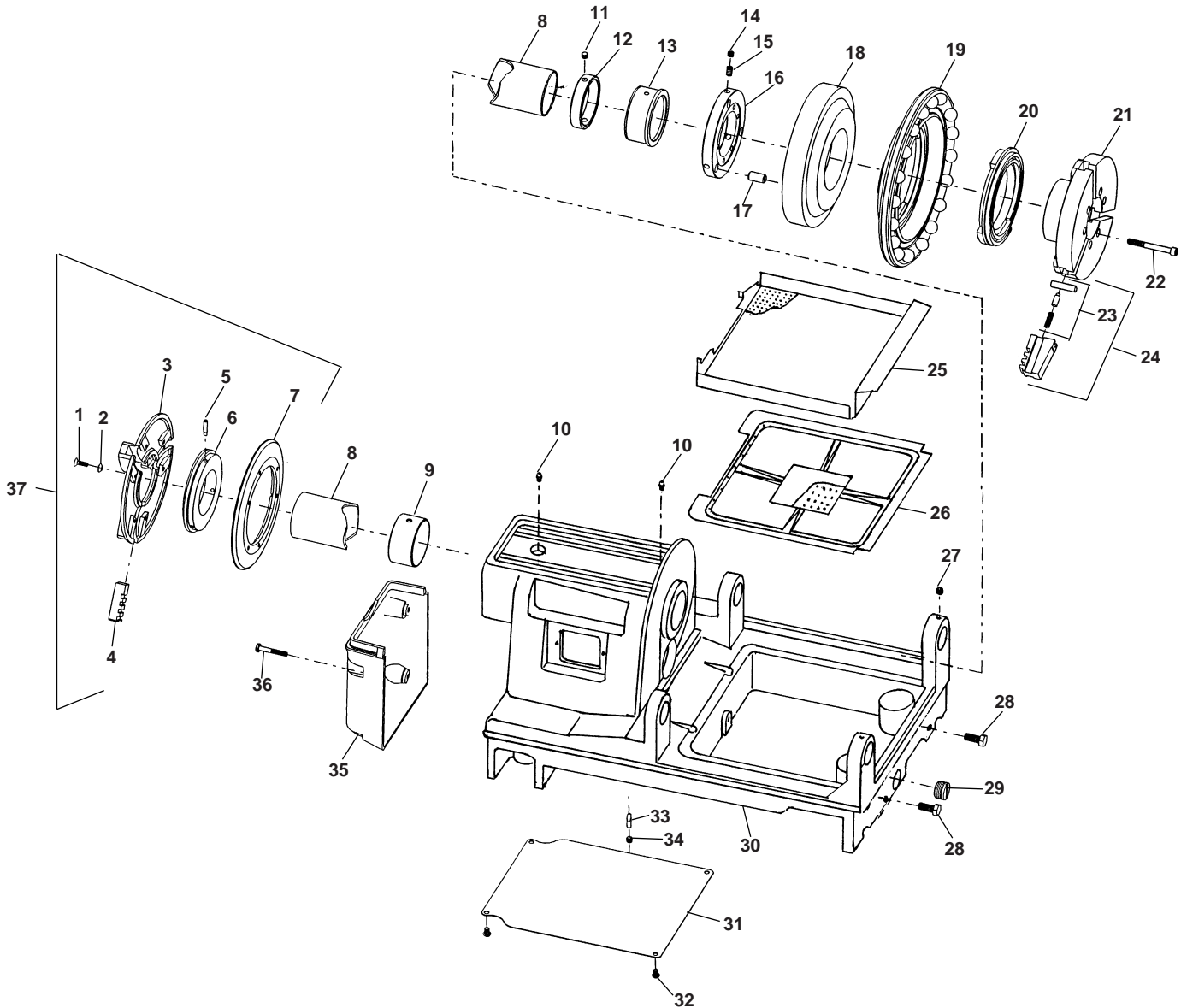


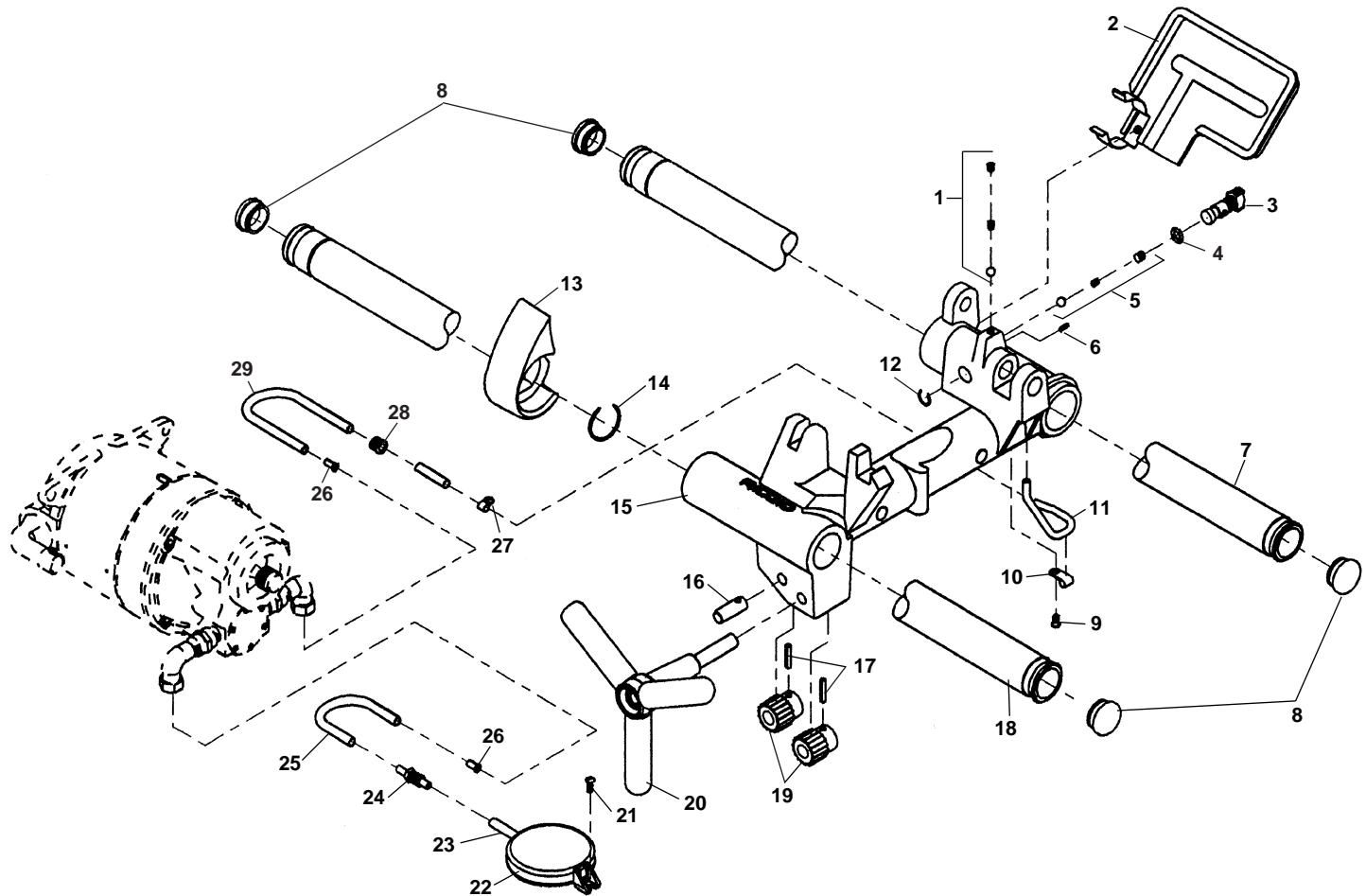
Main Drive Components



**NOTE: Order parts by Catalog Number only.
DO NOT order by Reference Number.**

Ref. No.	Catalog No.	Description	Ref. No.	Catalog No.	Description
1	46790	Screw 12 - 24 x 3/4" (6)	19	89150	Hand Wheel
2	40270	Lock Washer (6)	20	43540	Chuck Scroll
3	43735	Rear Centering Head	21	43525	Chuck Cap
—	19346	Rear Centering Head (U.K.)	22	45295	Screw 5/16" x 2 3/4" (6)
4	46500	Rear Jaw	23	44715	Jaw Insert Set (3)
5	45260	Step Pin	—	97365	Jaw Insert Set f/Coated Pipe (3)
6	44095	Scroll	24	44090	Chuck Jaw Set
7	43740	Backplate	25	54047	Chip Tray
—	19356	Backplate (U.K.)	26	54052	Oil Pan Liner
8	44100	Drive Shaft	27	60025	Set Screw 5/16" - 18 (4)
9	45335	Rear Bearing	28	54042	M-10 15 Hex Head (4)
10	46860	Grease Fitting (2)	29	54302	Drain Plug
11	33785	Set Screw 5/16" - 24 x 1/4"	30	54522	Base
12	45345	Thrust Ring	31	61937	Bottom Cover
13	54502	Front Bearing	32	87730	Screw 1/4" x 3/8" RD. Head (4)
14	45300	Screw 5/16" - 24 x 1/4" (3)	33	54037	Motor Wedge
15	45265	Screw 5/16" - 24 x 1/2" (3)	34	77905	Screw 5/16" x 1/4"
16	30027	Drive Ring	35	54527	Motor Cover
17	30022	Drive Pin (3)	36	54532	Motor Cover Screw (4)
18	30017	Ring Gear	37	44165	Rear Centering Assy.

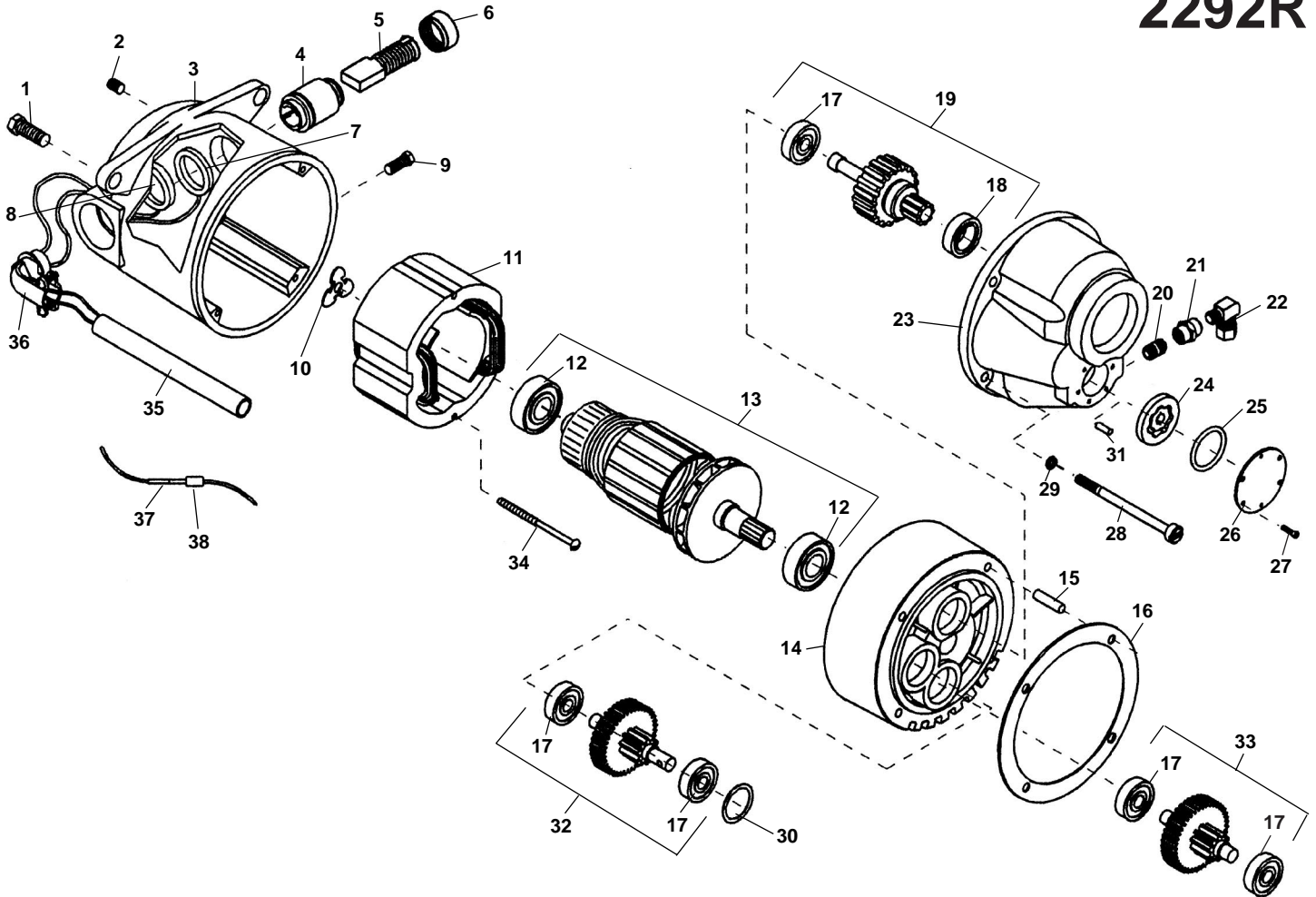
Carriage and Oil System



**NOTE: Order parts by Catalog Number only.
DO NOT order by Reference Number.**

Ref. No.	Catalog No.	Description
1	46810	Detente Assembly
2	54517	Drip Pan
3	54097	Spool Valve
4	54102	O-Ring
5	35307	Oil Pressure Relief Set
6	58417	Roll Pin 1/8" x 3/8"
7	54112	Rear Rail
8	35162	Rail Plug (4)
9	79965	10 - 32 x 1/2" Screw
10	35062	Oil Line Clamp
11	35067	Oil Tube
12	54107	Retaining Ring
13	54507	Carriage Stop
14	87620	Retaining Ring
15	54512	Carriage
16	35187	Pinion Idler Shaft
	54122	Cap Plug (not shown)
17	34342	Roll Pin
18	54117	Front Rail
19	57097	Pinion
20	35182	Hand Wheel
21	45420	10 - 24 x 3/8" Screw
22	58467	Filter Screen Assembly
23	61897	Oil Filter Tube
24	54142	Bulkhead Fitting
25	54152	Oil Intake Line
26	35117	Oil Line Insert
27	35142	Hose Clamp
28	47080	Oil Line Grommet
29	61282	Carriage Oil Line

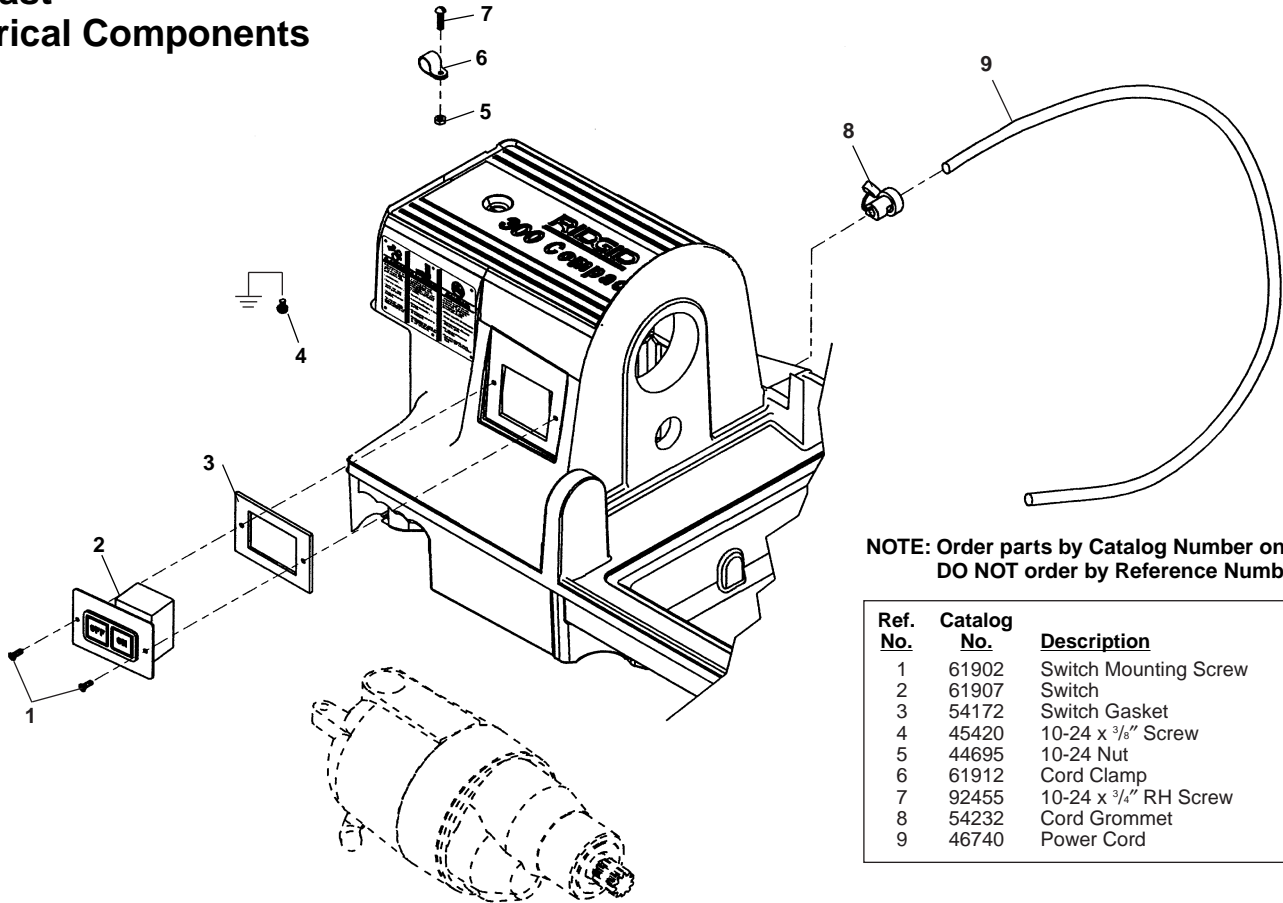
Motor



**NOTE: Order parts by Catalog Number only.
DO NOT order by Reference Number.**

Ref. No.	Catalog No.	Description	Ref. No.	Catalog No.	Description	Ref. No.	Catalog No.	Description
—	72122	Motor Model 2192, 115V	12	44565	Armature Bearing (2)	26	96840	Cover Plate
—	72127	Motor Model 2292, 230V	13	52497	115V Armature	27	96890	Screw #4 x 3/8" (6)
—	54797	Motor Model 2192, 115V		54542	230V Armature	28	45075	Screw 1/4" - 20
—	54802	Motor Model 2292R, 230V	14	54552	Fan Housing Assembly	29	45150	Lock Washer 1/4"
1	85915	Motor Mounting Bolt (2)	15	45165	Dowel Pin	30	96880	Oil Seal
2	39770	Set Screw 1/4" - 20 x 1/4" (2)	16	52502	Gasket	31	96885	Pin
3	52482	Motor Housing	17	44760	Gear Bearing	32	52522	1st Gear Assembly
4	45025	Brush Holder Set (2)	18	45315	Front Bearing	33	54547	2nd Gear Assembly
5	44540	Brush Assembly Set (2)	19	54537	Main Drive Gear Assembly	34	44555	Screw 10 - 24 x 3"
6	44545	Brush Cap Set (2)	20	52507	1/8" NPT Close Nipple (2)	35	63382	Plastic Tube
7	86685	Red Brush Lead	21	52512	1/8" Coupling (2)	36	46900	90 Connector
8	86680	White Brush Lead	22	52517	Elbow Compression Fitting (2)	—	47412	Male Wire Connector
9	83500	Field Locking Screw	23	96830	Gear Case	—	52537	Female Wire Connector
10	44580	Loading Spring	24	96870	Gerotor Set	37	16946	Male Connector
11	44015	Field 100/115V	25	96875	"O" Ring	38	16956	Female Connector
	44035	Field 230V						

**Far East
Electrical Components**

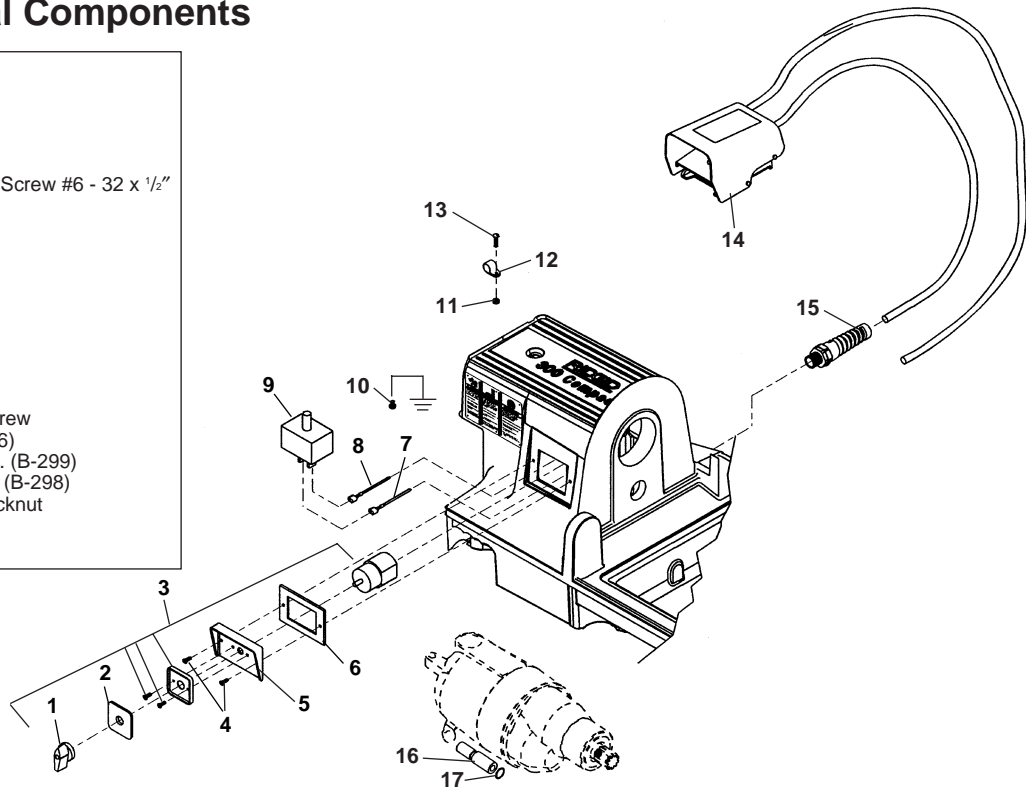


**NOTE: Order parts by Catalog Number only.
DO NOT order by Reference Number.**

Ref. No.	Catalog No.	Description
1	61902	Switch Mounting Screw
2	61907	Switch
3	54172	Switch Gasket
4	45420	10-24 x 3/8" Screw
5	44695	10-24 Nut
6	61912	Cord Clamp
7	92455	10-24 x 3/4" RH Screw
8	54232	Cord Grommet
9	46740	Power Cord

European Electrical Components

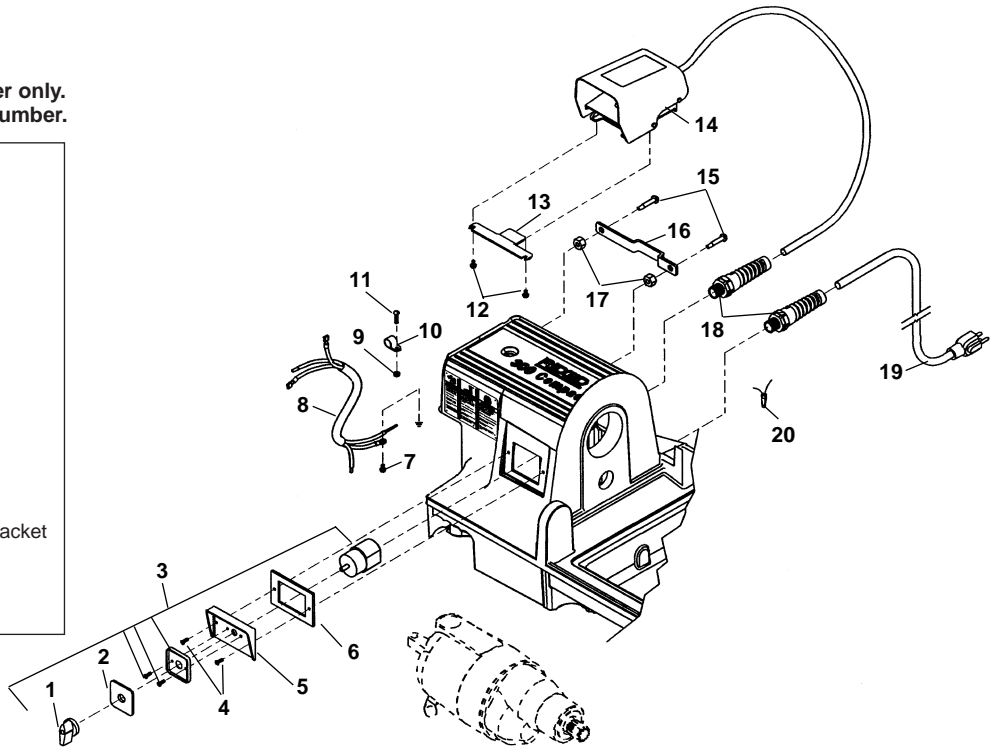
Ref. No.	Catalog No.	Description
1	61397	Switch Knob
2	54167	Switch Face Plate
3	54157	Switch & Screws
4	61902	Slotted Pan Head Screw #6 - 32 x 1/2"
5	61917	Switch Plate
6	54172	Switch Gasket
7	63387	Brown Wire
8	63392	Blue Wire
9	63372	Suppressor
-	63387	Brown Lead Wire
-	63392	Blue Lead Wire
10	45420	10-24 x 3/8" Screw
11	44695	10-24 Nut
12	61912	Cord Clamp
13	92455	10-24 x 3/4" RH Screw
14	36652	Foot Switch (B-296)
	40022	Foot Switch f/Aust. (B-299)
	40017	Foot Switch f/U.K. (B-298)
15	54177	Strain Relief w/Locknut
16	63377	Ferrite Bead
17	43552	Cable Tie



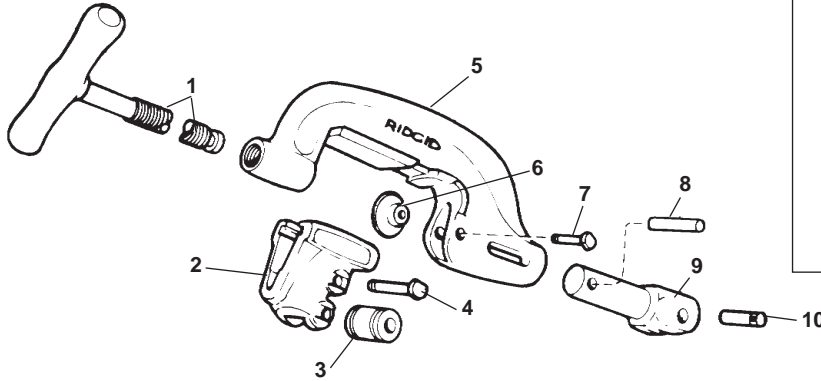
120V 60Hz Electrical

NOTE: Order parts by Catalog Number only.
DO NOT order by Reference Number.

Ref. No.	Catalog No.	Description
1	61397	Switch Knob
2	61967	Switch Face Plate
3	54157	Switch Assembly
4	54162	Screw (2)
5	44695	Switch Plate
6	54172	Gasket
7	45420	Screw #10 - 24 x 3/8"
8	72132	Connecting Cord
9	44695	Hex Nut #10 - 24
10	61912	Cord Retainer
11	92455	Screw #10 - 24 x 3/4"
12	54357	Screw 5/16" - 18 (2)
13	58602	Foot Switch Hook
14	36642	B-294 Foot Switch
15	54137	Screw (2)
16	58267	Foot Switch Hanger Bracket
17	96730	Hex Nut 5/16" - 18
18	72107	Strain Relief
19	46740	Power Cord
20	44635	End Splice Connector



No. 360 Cutter



Ref. No.	Catalog No.	Description
—	42370	360 Cutter Complete
1	43625	D-1024-X Screw Handle
2	33400	C-878-X Roll Housing Assembly
3	34305	E-1751 Roll (2)
4	34310	E-1752 Roll Pin (2)
5	43595	C-877 Cutter Frame
6	33100	F-514 Cutter Wheel Thin
	33105	F-3 Cutter Wheel H.D.
	44185	E-1032 Cutter Wheel Std.
7	34780	F-9 Wheel Pin
8	45435	E-3549 Retaining Pin
9	45505	E-3759 Support Arm
10	E-3819	Pin

No. 344 Reamer

Ref. No.	Catalog No.	Description
—	34612	344 Reamer Complete
1	36262	Shoulder Screw
2	36267	Pivot Pin
3	36272	Reamer Arm
4	36277	Reamer Cone
5	35355	Split Roll Pin

