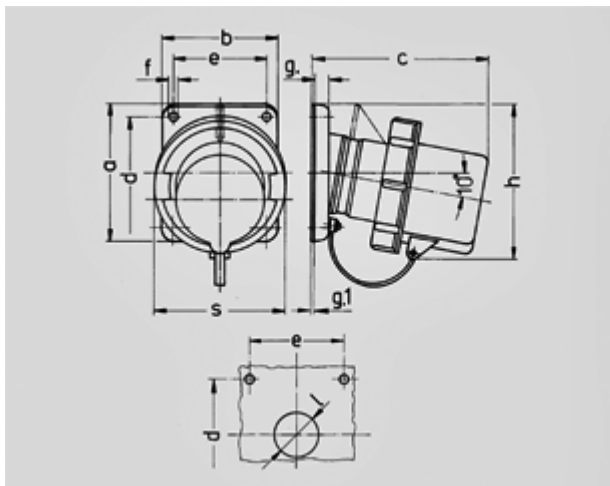


Panel mounted inlet TM - Part no. 20463


- screw terminals
- highly heat resistant contact carrier
- nickel plated contacts
- with protective cap
- (form BP)

Protection type	67
Ampere	63 A
Poles	5p
Voltage	400V
Hertz	50-60Hz
Earth position	6h
Contact	nickel plated contacts, highly heat resistant contact carrier
Connection technology	Screw terminals

Std. Pack. 5 Qty.



Drawing	Amp.	16		32		63
		3	5	3	5	5
2 MB 62/1	Poles					
Dim. in mm	a	85	85	85	85	106
	b	85	85	85	85	101
	c	128	128	129	135	152
	d	70	70	70	70	85
	e	70	70	70	70	77
	f	6,3	6,3	6,3	6,3	6,5
	g	11	11	11	11	12
	h	105	107	108	111	130
	s	70	86	92	101,5	114
Terminal for cond.	cross	1	1	2,5	2,5	4
section (mm ²)	min.-max.	-2,5	-2,5	-6	-6	-10