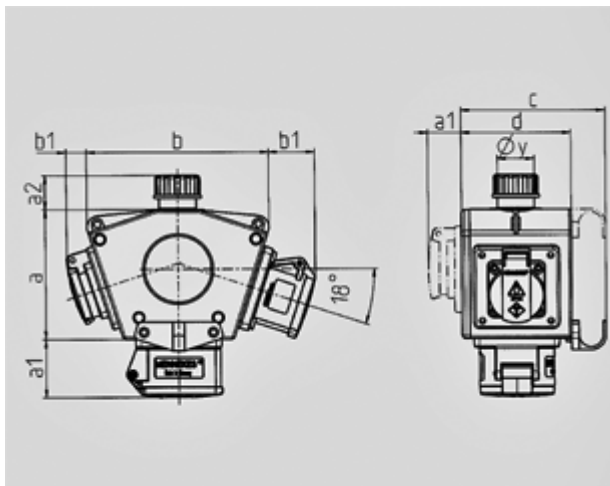


**DELTA-BOX receptacle combination - Part no. 92916**


- pre-wired for installation
- with cable grip and installed hanging hook
- enclosure and insert made of AMAPLAST

Protection type                    44  
 Fitted with                            2 CEE 16A, 5p, 400V  
     1 SCHUKO® 16A, 230V  
 Connection/feeder cable for 1 cable up to 5 x 10 mm<sup>2</sup>



3 MB 44			
Pos.	Receptacles	IP-degrees	Dim.
a			114.0 mm
a1	SCHUKO®, 16A, 230V	IP 44	max. 30.0 mm
a1	CEE 16A, 3p, 230V	IP 44	52.7 mm
a1	CEE 16A, 5p, 400V	IP 44	50.5 mm
a1	CEE 32A, 5p, 400V	IP 44	64.0 mm
a2			30.0 mm
b			160.0 mm
b1	SCHUKO®, 16A, 230V	IP 44	max. 18.0 mm
b1	CEE 16A, 3p, 230V	IP 44	42.0 mm
b1	CEE 16A, 5p, 400V	IP 44	40.0 mm
b1	CEE 32A, 5p, 400V	IP 44	53.2 mm
c			133.0 mm
d			97.0 mm
y			17.0 mm