

## Installation and operating manual

 **MENNEKES®**

Plugs for the world

## Receptacle combination unit AMAXX

GB

### General

#### Information about the installation and oper- ating manual

Read this manual carefully before installation and first use of the unit.

Non-compliance with this manual can lead to severe injuries or damage to the receptacle combination.

**Installation may only be carried out by trained electricians.**

After installation, pass the manual on to the user.

#### Intended use

The AMAXX receptacle combination can be used as a distribution board for inside and outside. Depending on the design, the housing corresponds either to the degree of protection IP44 or IP67.

Protection degree IP44 means protection against:

- the penetration of particle-type foreign bodies (e.g. sand),
- contact with tools, wires or similar with a diameter of more than 1 mm,
- sprayed water from any direction.

The IP44 degree of protection presupposes that the receptacle combination is mounted vertically to a wall.

We recommend you attach a weather protection shield on IP44 level protected housing that is subjected to rain outside. You can find weather protection covers in our catalogue.

Protection degree IP67 means protection against penetration by water with temporary submersion and dust (total protection).

The receptacle combination is designed for commercial use.

#### Liability

All information and instructions are made while taking into consideration our current experience and findings, to the best of our knowledge.

**We assume no liability for damages caused by non-compliance with this manual or by independent conversion of the unit.**

#### Symbols in the manual



**WARNING!**

Identifies safety instructions which, if not complied with, can lead to a risk of injury or death.



**WARNING! Electrical current!**

Draws attention to dangerous situations due to electrical current. If this instruction is not complied with, there is a risk of injury or death.



**ATTENTION!**

Identifies risks which can cause damage to the unit.



**NOTE!**

*Highlights tips and other useful information in this manual.*

Waste disposal

*When it has reached the end of its service life, especially if malfunctions occur, replace the old receptacle combination or uninstall connection.*

*Once it has reached the end of its service life, dispose of the receptacle combination in accordance with the environmental regulations applicable in your country.*

## Safety

Special dangers for children

- Children or persons who cannot assess the risk are not allowed to use the receptacle combination. The live receptacle combination must not be freely accessible to these persons mentioned.

Dangers for persons

- Never cover the receptacle combination. There is a risk of fire due to the accumulated heat that occurs as a result of being covered.
- Do not use any explosive or highly flammable materials near to the receptacle combination. There is a risk of fire or explosion.

Dangers due to electrical current



**WARNING! Electrical current!**

The receptacle combination is used to distribute electrical current. As a result, there is a fundamental risk of electric shock. Pay particular attention to the following:

- Do not grasp the receptacle combination or the plug with wet hands.
- If you want to remove a plug from the receptacle, always pull directly on the plug. Never pull on the cable as it could tear.
- Make sure that the cable is not bent, jammed or run over and that it does not come into contact with any heat source.

Instructions regarding fusing

The receptacle combination is equipped with earth leakage circuit breakers, miniature circuit breakers or screw-in fuse-links to protect the connected units, depending on the design. These switch the current off as soon as a short-circuit occurs or there is a risk of electric shock.

Dangers for the unit

- The receptacle combination housing is designed to be robust. Nevertheless, hard impacts can damage the housing and the plug.
- Always transport and ship the receptacle combination in its original packaging to avoid any damage.

## In case of danger

In case of danger or accidents, have the receptacle combination de-energized immediately by an expert electrician.

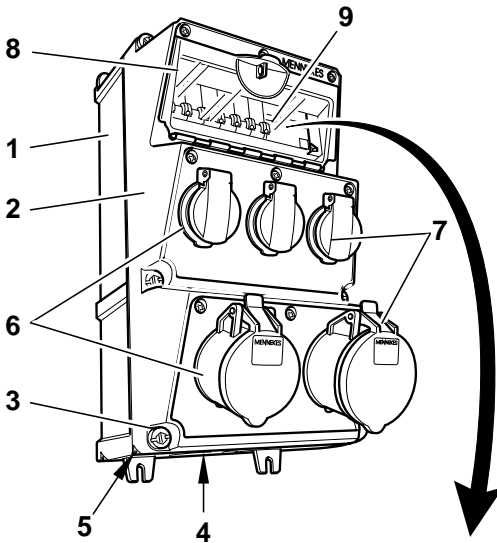
## If there is a defect

- Never operate a defective receptacle combination. There is a risk of electric shock.
- A defective receptacle combination must be repaired as soon as possible by an expert electrician.

### NOTE!

*Only use original spare parts. If other spare parts are used, then any guarantee and all liability claims become null and void.*

## Overview



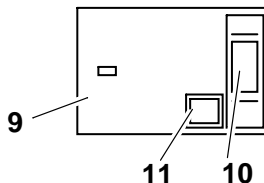
- 1 Base
- 2 Front cover
- 3 Housing screws
- 4 Drainage hole (see assembly)
- 5 Sealing option
- 6 Receptacles\*
- 7 Flap lid
- 8 Window\*\*
- 9 Earth leakage circuit breaker

\* Design varies depending on model and country of use

\*\* Earth leakage circuit breakers (ELCB's / RCD's), miniature circuit breakers (MCB's) and screw-in fuse-links are located under the window, depending on the design.

Not shown:

Screw-in fuse-links



Optional equipment\*:

- 9 Earth leakage circuit breaker
- 10 Switch toggle
- 11 Test switch

\* Varies depending on the model

## Unpacking

Contact your dealer as soon as possible if you notice any transport damage.

Dispose of any packaging material that is no longer required in accordance with the regulations applicable in your country.

## Assembly



### WARNING! Electrical current!

Connection and commissioning may only be carried out by trained electricians!

- On the receptacle combinations with protection degree IP44 for outside, check whether a weather protection cover would be useful.
- The receptacle combination offers 4 external fastening points.

 **NOTE!**

*Alternatively, internal fastening is also possible below the housing screws.*

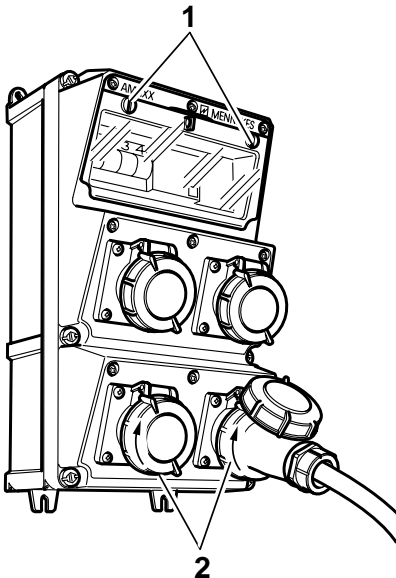
- There is the option of attaching a drainage hole on receptacle combinations with protection degree IP44.
- Select a back-up fuse and wire cross section corresponding with the design of the receptacle combination, see type plate.
- Select a cable gland suited to the protection degree of the receptacle combination.

 **NOTE!**

*You can unlock the DIN rails and pull them forward.*

Recommendation: Tighten housing screws with 2 Nm.

## Operation



### WARNING! Electrical current!

The window has a latch-lock. Always leave the window closed during operation.

Click the window into place to achieve protection degree IP44.

To achieve protection degree IP67, tighten both thumb screws (1) on the window as well.

 **NOTE!**

The window can be closed at the eyelet using a padlock.



### WARNING! Electrical current!

Plug devices with protection degree IP67 have a bayonet system. Turn the bayonet rings (2) until tightly closed to achieve protection degree IP67.

## Faults

A circuit breaker (earth leakage circuit breaker, miniature circuit breaker or screw-in fuse-link) has turned off.



### **WARNING!**

**When turning on the circuit breaker and when inserting the plug, you must make sure that devices such as e.g. circular saws do not start unintentionally or in an uncontrolled way.**

1. Circuit breakers and receptacles are numbered and allocated to each other. Remove the affected plug(s).
2. Open the window and, depending on the design, switch the circuit breaker from "0" to "I" again or change the screw-in fuse-link. If the fault occurs again, then the fault is in the receptacle combination unit. Contact an electrician.
3. In contrast, if the circuit breaker remains on, reinsert the affected plug(s).
4. If, when the plug is reinserted or when the consumer is switched on again, the circuit breaker triggers again, then the fault is caused by one of the consumers or its supply line. Contact an electrician for further troubleshooting.

## Cleaning and maintenance

We recommend dry cleaning.

If a damp clean is required:



### **WARNING! Electrical current!**

1. **Have the receptacle combination de-energized by a trained electrician and secure it against being switched on again before damp cleaning. This will help avoid accidents.**
2. Clean the receptacle combination with a damp cloth.
3. Make sure that no water gets inside. If in doubt, only have the housing opened and closed again by an electrician.
4. Have the supply voltage to the receptacle combination switched on again by an electrician.



### **ATTENTION!**

**Do not use any sharp cleaning materials. This could destroy the housing.**



### **WARNING! Electrical current!**

**Never clean the receptacle combination with a water jet, steam jet or high-pressure cleaner.**

## Checks

### Before each use

- Check housing for any damage.  
If you find damage, commission an electrician with the repair of the receptacle combination.  
Damaged or missing flap lids and window must also be replaced with new ones.  
Otherwise, the degree of protection is not applicable.

### Every 6 months\*

- Check the earth leakage circuit breaker\*\* (see P.3, Pos.9) as follows:
  - Set the switch toggle to "I" (Pos.10).
  - Press the test switch (Pos.11).  
Then the switch toggle should independently jump to "0".  
If this is not the case, the earth leakage circuit breaker must be replaced.  
Contact an electrician for this.

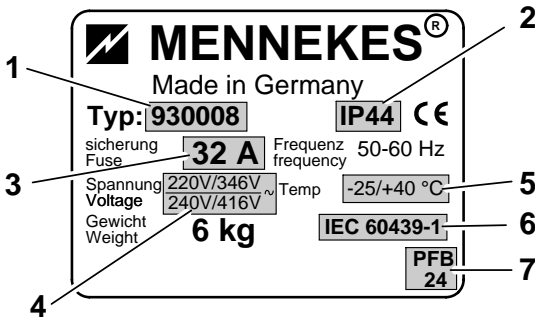
\* In some cases, other test deadlines are required based on the application case.

\*\* If there is one.

## Technical data

You will find the most important information about the AMAXX receptacle combination on the type plate.

Example of a type plate:



- |   |                                       |   |                      |
|---|---------------------------------------|---|----------------------|
| 1 | Order number                          | 2 | Degree of protection |
| 3 | Max. back-up fuse for the supply line | 4 | Supply voltage       |
| 5 | Permissible ambient temperature range | 6 | Unit norm            |
| 7 | Production code                       |   |                      |



Plugs for the world

**Mennekes Elektrotechnik  
GmbH & Co. KG**  
Aloys-Mennekes-Str. 1  
D-57399 Kirchhundem  
Germany

Tel.: (+ 49) 2723 / 41-1  
Fax.: (+ 49) 2723 / 41-214  
E-Mail [info@MENNEKES.de](mailto:info@MENNEKES.de)  
Internet [www.MENNEKES.de](http://www.MENNEKES.de)