

Kägel ventil | Pressure gauge cock | Painemittariventtiili



Tekniset tiedot | Tekniska data | Specifications

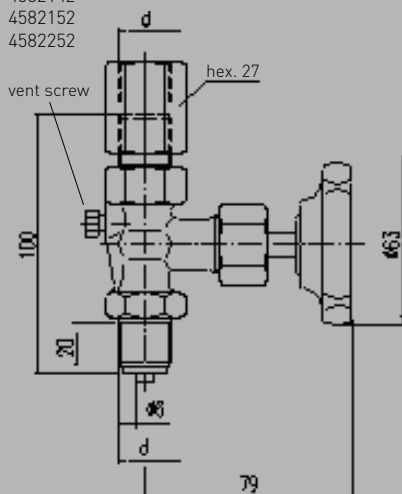
Code	4582142	4582152	4582172	4582252	4582272
Connection thread d	G 1/2	G 1/2	G 1/2	G 1/2	G 1/2
PN	400	400	400	400	400
Material	Steel	Steel	Steel	Stainless steel*	Stainless steel*
Part no.	S004.16.100	S004.17.170	S004.61.100	S004.17.270	S004.61.200
Remarks	-	with test flange 60 x 25 x 10 mm	with test flange 60 x 25 x 10 mm	with test flange 60 x 25 x 10 mm	with test flange 60 x 25 x 10 mm
Body**	1.0460	1.0460	1.0460	1.4571	1.4571
Flange	-	steel	steel	1.4571	1.4571
Valve stem	1.4101	1.4101	1.4101	1.4571	1.4571
Needle tip	1.4101	1.4101	1.4101	1.4571	1.4571
Packing	PTFE up to 200 °C	PTFE up to 200 °C	PTFE up to 200 °C	PTFE up to 200 °C	PTFE up to 200 °C
Union nut	Steel	Steel	Steel	Stainless steel	Stainless steel
Adjusting nut	Steel	Steel	Steel	Stainless steel	Stainless steel
Swivel nut	Steel	-	-	-	-
Screw plug	-	Steel	-	A4-70	-
Vent screw	1.4571	1.4571	-	1.4571	-
Handwheel	Plastic	Plastic	Plastic	Plastic	Plastic

* Can also be supplied for oxygen service. Please notice orderinstruction B 3!
 ** Available with inspection certificate 3.1 acc. to EN 10 204

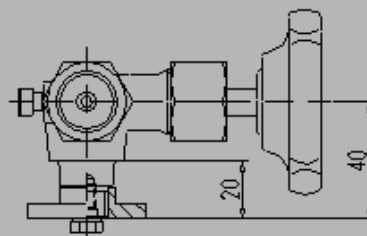
Body:
 Steel / Stainless steel: die-pressed steel

Abbreviation acc. to DIN	Material	Temperature rating
10 St	Steel	-10 up to +120 °C
20 St	Stainless steel	-20 up to +120 °C

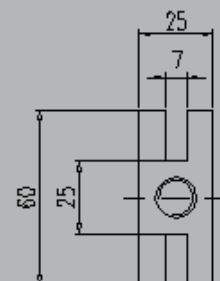
4582142
 4582152
 4582252



4582152
 4582252



4582152
 4582252
 4582172
 4582272



4582172
 4582272

