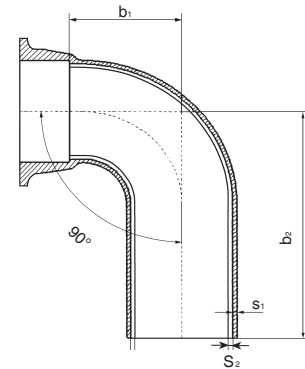
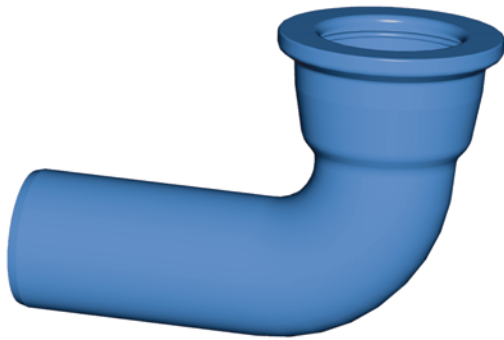




90° Socket Bends

as per FGR 70,
90° MQ-pieces,
made of ductile cast iron (nodular cast iron)



DN	Dimensions in mm				PFA in bar	Casting Weight kg = TYT
	S ₁	S ₂	b ₁	b ₂		
80	7.0	4	102	312	≤ 85	8.5
100	7.2	4	123	333	≤ 85	11.0
125	7.5	4	149	374	≤ 85	15.7
150	7.8	4	175	419	≤ 79	20.1
200	8.4	4	226	491	≤ 62	33.5

S₁ casting wall thickness

S₂ cement mortar coat thickness

PFA permissible component working pressure

Surface protection:

- Epoxy-resin powder coating as per DIN EN 14901 / DIN 3476 with a minimum coat thickness of > 250 µm
- Cement mortar internal coating
- Internal enamelling as per DIN 3475 or all-round enamelling, resp.
- Friezink coating upon request

TYT – Tyton® socket as per DIN 28603