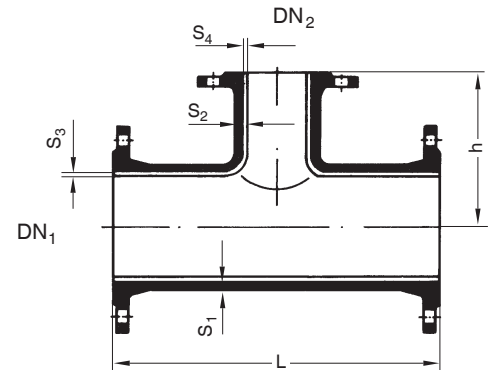
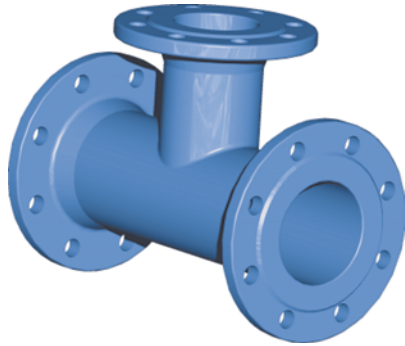




All-Flanged Tees

as per DIN EN 545,
T-pieces,
made of ductile cast iron (nodular cast iron)



DN ₁	DN ₂	Dimensions in mm						Casting Weight in kg ≈			
		S ₁	S ₂	S ₃	S ₄	L	h	PN 10	PN 16	PN 25	PN 40
400	80	10.8	7.0	5.0	4.0	900	350	141.0	153.0	235.0*	302.0*
	100	10.8	7.2	5.0	4.0	900	350	143.0	155.0	176.4*	244.4*
	150	10.8	7.8	5.0	4.0	900	350	145.0	157.0	241.0*	310.0*
	200	10.8	8.4	5.0	4.0	900	350	165.0	177.0	183.3*	255.3*
	250*	10.8	9.0	5.0	4.0	900	350	215.0	226.0	252.0	330.0
	300	10.8	9.6	5.0	4.0	900	450	177.0	191.0	271.0*	354.0*
	350*	10.8	10.2	5.0	5.0	900	450	329.0	343.0	374.0	464.0
	400	10.8	10.8	5.0	5.0	900	450	191.5	210.0	219.5	320.5*
500	80	12.0	7.0	5.0	4.0	1000	400	200.0	228.0	260.0*	328.0*
	100	12.0	7.2	5.0	4.0	1000	400	208.0	238.0	264.5*	331.5*
	150	12.0	7.8	5.0	4.0	1000	400	216.0	252.0	359.0*	428.0*
	200	12.0	8.4	5.0	4.0	1000	400	224.0	266.0	269.5*	342.5*
	250	12.0	9.0	5.0	4.0	1000	400	234.0	280.0	372.0*	450.0*
	300	12.0	9.6	5.0	4.0	1000	500	245.0	294.0	393.0	476.0*
	350*	12.0	10.2	5.0	5.0	1000	500	342.0	376.0	407.0	496.0
	400*	12.0	10.8	5.0	5.0	1000	500	234.7	270.7	305.7	406.7
600	500	12.0	12.0	5.0	5.0	1000	500	302.5	350.0	324.6*	425.6*
	80*	13.2	7.0	5.0	4.0	1100	450	304.0	353.0	374.0	478.0
	100	13.2	7.2	5.0	4.0	1100	450	334.0	369.0	518.0*	623.0*
	150	13.2	7.8	5.0	4.0	1100	450	336.0	372.0	522.0*	630.0*
	200	13.2	8.4	5.0	4.0	1100	450	342.0	378.0	387.0*	497.0*
	250	13.2	9.0	5.0	4.0	1100	450	350.0	403.0	533.0*	648.0*
	300	13.2	9.6	5.0	4.0	1100	550	360.0	413.0	553.0*	673.0*
	350*	13.2	10.2	5.0	5.0	1100	550	475.0	531.0	568.0	695.0
	400	13.2	10.8	5.0	5.0	1100	550	374.0	432.0	422.0*	561.0*
	500	13.2	12.0	5.0	5.0	1100	550	390.0	456.0	697.0*	746.0*
	600	13.2	13.2	5.0	5.0	1100	550	440.0	518.0	465.0*	623.0*

* upon request
S₁, S₂ casting wall thickness
S₃, S₄ cement mortar coat thickness