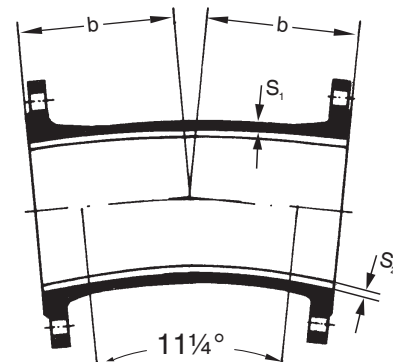
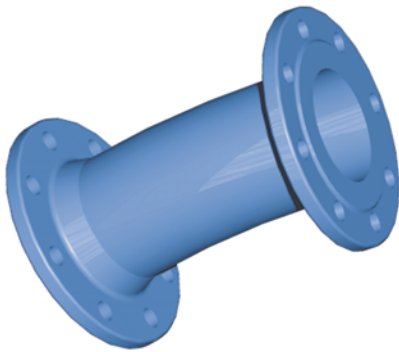




## 11 ¼° Double-Flanged Bends

as per DIN EN 545,  
11 ¼° FFK-pieces,  
made of ductile cast iron (nodular cast iron)



Dimensions in mm

Casting Weight in kg ≈

DN	b	S <sub>1</sub>	S <sub>2</sub>	PN 10	PN 16	PN 25	PN 40
40*	140			7.0	6.0	7.0	7.0
50*	150			9.0	9.0	9.0	9.0
65*	165			12.0	12.0	12.0	12.0
80	130	7.0	4.0	9.5	9.5	9.5*	9.5*
100	140	7.2	4.0	11.9	11.9	12.9*	12.9*
125	150	7.5	4.0	15.3	15.3	17.3	20.5
150	160	7.8	4.0	19.0	19.0	21.5*	25.5*
200	180	8.4	4.0	26.0	25.0	29.5	39.0
250	210	9.0	4.0	41.5	41.0	48.0*	65.5*
300	255	9.6	4.0	60.0	59.5	69.5*	96.5*
350*	105	10.2	5.0	56.0	61.5	77.0	
400	113	10.8	5.0	58.0	67.5	90.0	
500	135	12.0	5.0	85.0	113.0	134.0*	
600	174	13.2	5.0	157.0	202.0	223.0*	
700*	194	14.4	6.0	243.0	269.0	299.0	
800*	213	15.6	6.0	330.0	366.0	333.0	
900*	280	16.8	6.0	368.0	363.0	485.0	
1000*	310	18.0	6.0	488.0	482.0	542.0	
1200*	300	20.4	6.0	684.0	774.0		

- \* upon request
- S<sub>1</sub> casting wall thickness
- S<sub>2</sub> cement mortar coat thickness

### Surface protection:

- Epoxy-resin powder coating as per DIN EN 14901 / DIN 3476 with a minimum coat thickness of > 250 µm
- Cement mortar internal coating
- Internal enamelling as per DIN 3475 or all-round enamelling, resp.
- Friezink coating upon request