

Cim 17CR

FULL BORE BALL VALVE - DZR BRASS "CR" ALLOY - PN 32 - TYPE T16 - STEEL LEVER HANDLE



This article was made in compliance with the quality management requirements of standard ISO 9001:2008.

All articles are tested according to the standard EN 12266-1:2003.

It can be used in a wide variety of sectors: heating, air conditioning, water, sanitary systems, pneumatic systems, oil pipelines, gasoline networks, saturated steam and generally with any non corrosive liquid.

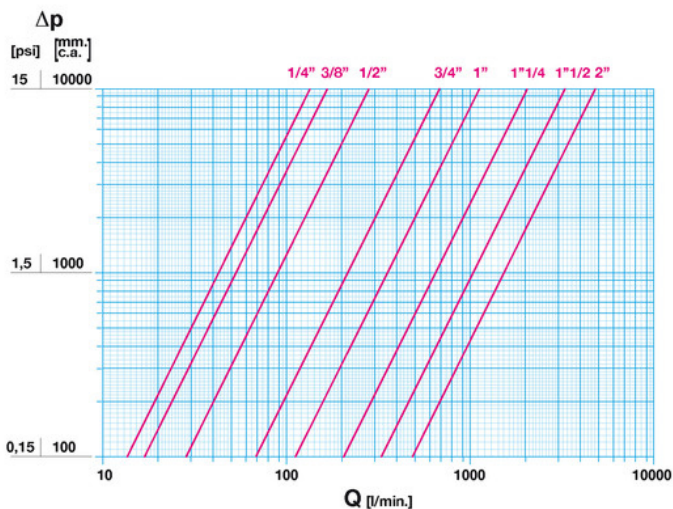
It is guaranteed for 5 years.

It is made of a brass alloy that complies with standard EN 12165-CW602N-M.

Nominal Pressure: PN32

Operating temperature: -20 ÷ 150°C

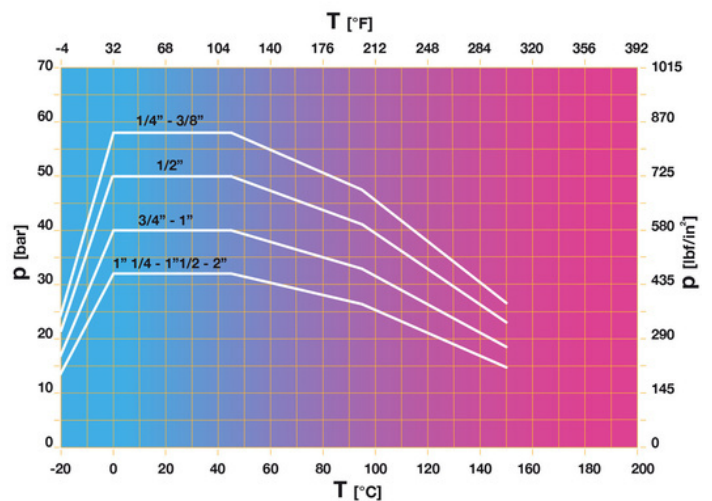
FLOW AND PRESSURE DROP



Notes:

- 1 l/min = 0,06 m³/h
- 1 m³/h = 16,67 l/min
- 1 bar = 10.000 mm w.c.
- 1 psi = 690 mm w.c.

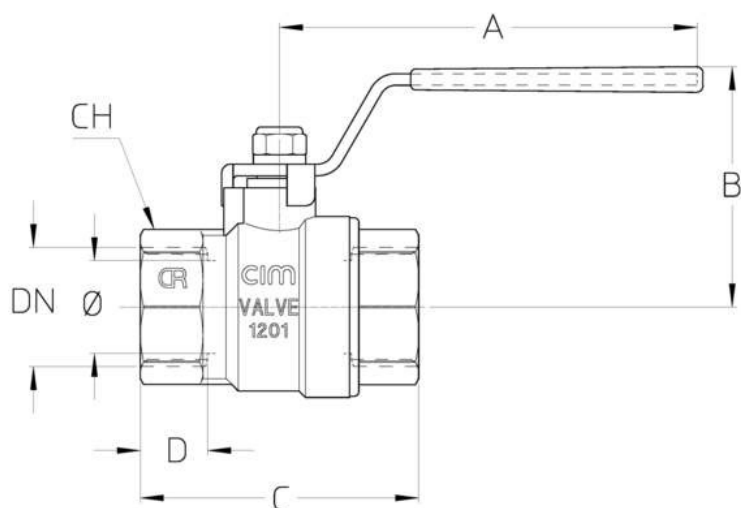
PRESSURE TEMPERATURE RATINGS



Notes:

- 1 bar = 14,5 psi
- 1 bar = 14,5 lbf/in²
- °C = 5/9 x (°F-32)
- °F = 32 + (9/5 x °C)

TECHNICAL DRAWING



DN	1/4"	3/8"	1/2"	3/4"	1"	1"1/4	1"1/2	2"
Φ mm	10	10	15	20	25	32	40	50
Grms.	115	120	185	280	465	710	1060	1590
A	66	66	90	90	110	110	150	150
B	33	33	47,5	52	56,5	65,5	81	88
C	45	47	55	60	74	82	96	113
D	10,5	11	14	14,5	17	17,5	18	20
CH	18	20	25	31	38	47	54	66

Thread:
ISO 7 - Rp

Upon request:
ISO 7 - Rc
ANSI B1.20.1 - NPT

TECHNICAL CHARACTERISTICS

KV CM CS MT								
DN	1/4"	3/8"	1/2"	3/4"	1"	1"1/4	1"1/2	2"
Ø mm	10	10	15	20	25	32	40	50
KV	8	10	17	41	68	123	198	290
CM	1	1	1,5	2	4	5	8	11
CS	2	2	3	4	7	10	16	20
MT	10	10	24	24	26	26	88	88

KV = Capacity in m³/h at pressure drop of 1 bar.

CM = Operating torque in Nm.

CS = Starting torque in Nm.

MT = Stem breaking torque in Nm.

OUR CERTIFICATIONS

