



Technibel

Chimatisation

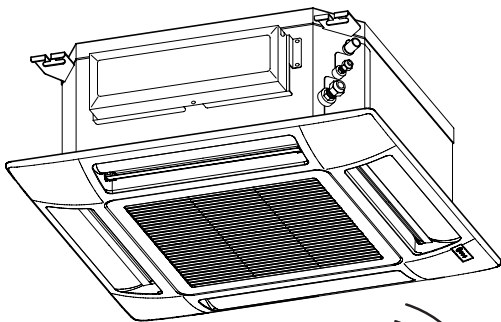
OPERATING INSTRUCTIONS • INSTRUCCIONES DE USO
NOTICE D'UTILISATION • BEDIENUNGSANLEITUNG

EG

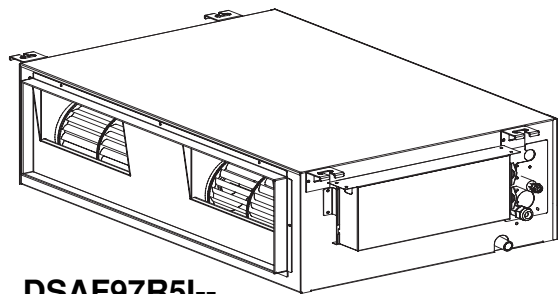
ES

F

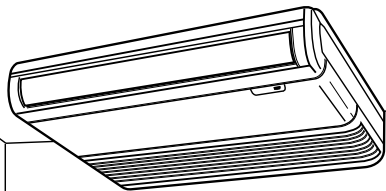
D



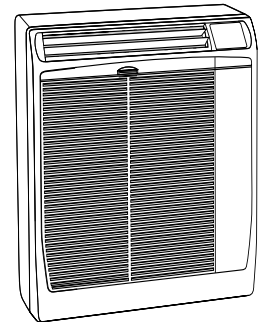
CAF97R5I--
CAF127R5I--
CAF187R5I--
CAF98MR5I--
CAF128MR5I--



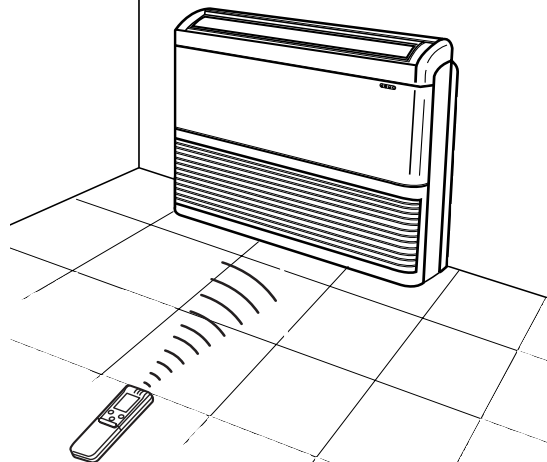
DSAF97R5I--
DSAF127R5I--
DSAF187R5I--
DSAF247R5I--
DSAF98MR5I--
DSAF128MR5I--



KPAF127R5I--
KPAF187R5I--
KPAF247R5I--
KPAF128MR5I--



KAF97R5I--
KAF98MR5I--



Split air conditioner system • Acondicionador de aire de consola partida sistema split
Climatiseurs split • Split-klimagerät

Features

This air conditioner is an inverter type unit that automatically adjusts capability as appropriate. Details on these functions are provided below; refer to these descriptions when using the air conditioner.

- **Microprocessor Controlled Operation**
The interior compartment of the remote control unit contains several features to facilitate automatic operation, easy logically displayed for easy use.
- **Simple One-touch Wireless Remote Control**
The remote control unit has several features to facilitate automatic operation.
- **24-Hour ON or OFF Timer**
This timer can be set to automatically turn the unit on or off at any time within a 24 hour period.
- **1-Hour OFF Timer**
This timer can be set to automatically turn off the unit at any time after one hour.
- **Night Setback**
Pressing this button changes the setting of the room temperature thermostat, allowing you to set the temperature at whatever level that you find comfortable.
- **Automatic and 3-step Fan Speed**
Auto/High/Medium/Low
- **Air Sweep Control**
This function moves a flap up and down in the air outlet, directing air in a sweeping motion around the room and providing comfort in every corner.
- **Auto. Flap Control**
This automatically sets the flap to the optimum position during heating, cooling, and drying operation.
- **Automatic Switching between Cooling and Heating**
This unit automatically switches between cooling operation and heating operation according to the difference between the room temperature and the temperature setting.
- **Hot Start Heating System**
Right from the start, the air is warm and comfortable. This system prevents any cold blasts at the beginning while the heat pump is warming up, or even defrosting.
- **Automatic Restart Function for Power Failure**
Even when power failure occurs, preset programmed operation can be reactivated once power resumes.
- **High Power Operation**
If not in Auto Operation, the unit operates at maximum output for 30 minutes, regardless of the desired temperature.
The fan speed is 1 step above "High".
- **Anti-Mold Filter**
This unit is equipped with an anti-mold filter that inhibits the growth of mold and bacteria.

Contents

	Page
Features	2
Product Information	3
Alert Symbols	3
Installation Location	4
Electrical Requirements	4
Safety Instructions	4
Names of Parts	5
Using the Remote Control Unit	11
Operation with the Remote Control Unit	14
1. Automatic Operation	14
2. Manual Operation	15
3. Adjusting the Fan Speed	16
4. Fan Only	16
5. Night Setback Mode	17
6. HIGH POWER Mode	18
Special Remarks	19
Setting the Timer	20
Using the 1-Hour OFF Timer	22
Tips for Energy Saving	22
Adjusting the Airflow Direction	23
Operation without the Remote Control Unit	25
Care and Cleaning	25
Troubleshooting	29

EG

Product Information

If you have problems or questions concerning your Air Conditioner, you will need the following information. Model and serial numbers are on the nameplate on the bottom of the cabinet.

Model No. _____ Serial No. _____

Date of purchase _____

Dealer's address _____

Phone number _____

DECLARATION OF CONFORMITY

This product is marked « **CE** » as it satisfies EEC Directive No. 89/336/ EEC, 93/68/EEC, 92/31/EEC and 2006/95/CE.

This declaration will become void in case of mis-usage and/or from non observance though partial of Manufacturer's installation and/or operating instructions.

Alert Symbols

The following symbols used in this manual, alert you to potentially dangerous conditions to users, service personnel or the appliance:



This symbol refers to a hazard or unsafe practice which can result in severe personal injury or death.



This symbol refers to a hazard or unsafe practice which can result in personal injury or product or property damage.

Installation Location

- We recommend that this air conditioner be installed properly by qualified installation technicians in accordance with the Installation Instructions provided with the unit.
- Before installation, check that the voltage of the electric supply in your home or office is the same as the voltage shown on the nameplate.



WARNING

- Do not install this air conditioner where there are fumes or flammable gases, or in an extremely humid space such as a greenhouse.
- Do not install the air conditioner where excessively high heat-generating objects are placed.

Avoid: To protect the air conditioner from heavy corrosion, avoid installing the outdoor unit where salty sea water can splash directly onto it or in sulphurous air near a spa.

Electrical Requirements

1. All wiring must conform to the local electrical codes. Consult your dealer or a qualified electrician for details.
2. Each unit must be properly grounded with a ground (or earth) wire or through the supply wiring.
3. Wiring must be done by a qualified electrician.

Safety Instructions

- Read this Instruction Manual carefully before using this air conditioner. If you still have any difficulties or problems, consult your dealer for help.
- This air conditioner is designed to give you comfortable room conditions. Use this only for its intended purpose as described in this Instruction Manual.



WARNING

- Never use or store gasoline or other flammable vapor or liquid near the air conditioner — it is very dangerous.
- This air conditioner has no ventilator for intaking fresh air from outdoors. You must open doors or windows frequently when you use gas or oil heating appliances in the same room, which consume a lot of oxygen from the air. Otherwise there is a risk of suffocation in an extreme case.



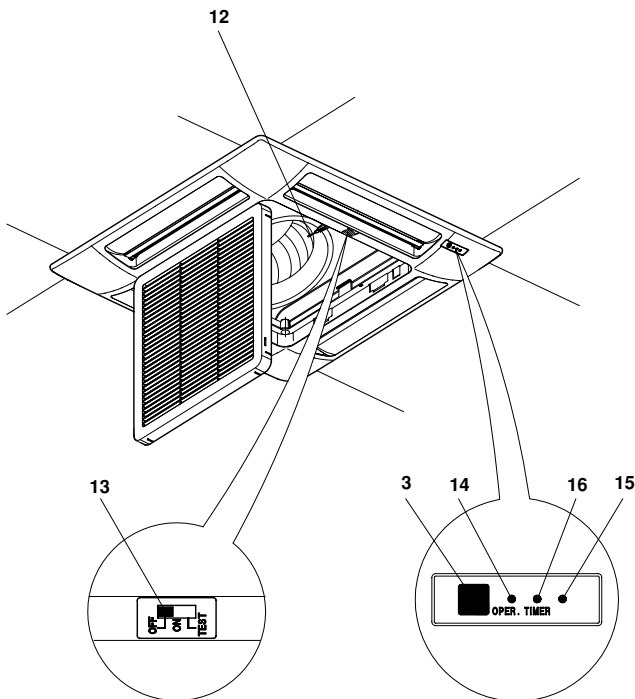
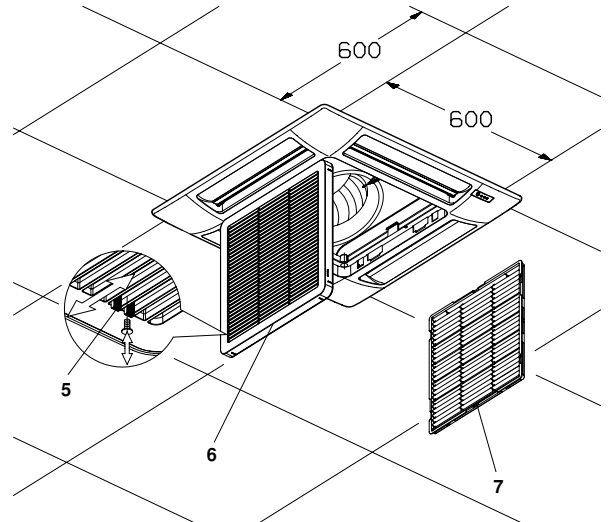
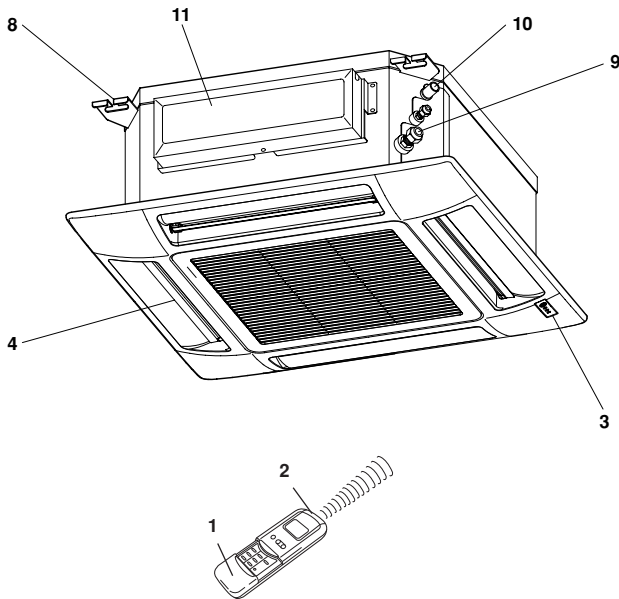
CAUTION

- Do not turn the air conditioner on and off from the power mains switch. Use the ON/OFF operation button.
- Do not stick anything into the air outlet of the outdoor unit. This is dangerous because the fan is rotating at high speed.
- Do not let children play with the air conditioner.
- Do not cool or heat the room too much if babies or invalids are present.

Names of parts

MODELS CAF

INDOOR UNIT



1. **Remote control unit.**
2. **Sensor:** Detects the room temperature around the remote control unit, the air conditioner is controlled accordingly.
3. **Receiver:** This section picks up infrared signals from the remote control unit (Transmitter).
4. **Air outlet:** Conditioned air is blown out of the air conditioner through the air outlet (four flaps).
5. **Air intake latch, on two sides.**

6. **Air intake grille:** Air from the room is drawn into this section and passes through air filter which removes dust.
7. **Air filter.**
8. **Suspension brackets.**
9. **Refrigerant couplings.**
10. **Condensate drain connection.**
11. **Electric junction box.**
12. **Sensor:** Detects the room temperature around the unit; when the remote control unit is not active the air conditioner will be set by the detected temperature.

13. Operation selector.

- ON Position:** In this position the air conditioner is operating and controlled by the remote control unit. Set the selector normally in this position.
- OFF Position:** Switch the selector to the off position if you are not going to use the air conditioner for a few days or longer.



WARNING

The OFF position does not disconnect the power. Use the main power switch to turn off power completely.



CAUTION

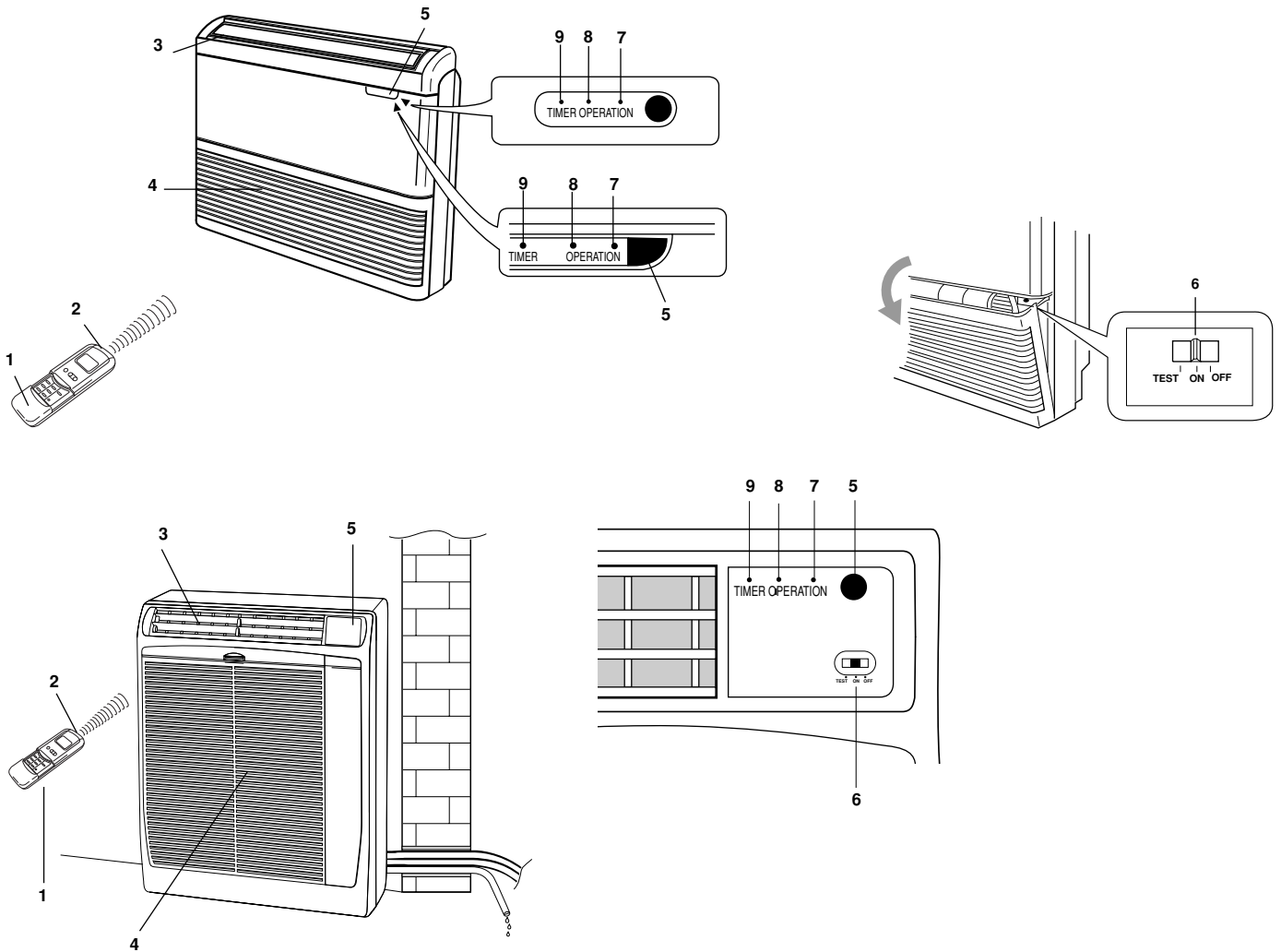
TEST Position: This position is used only for servicing the air conditioner, so don't leave the selector in this position for normal operation.

14. Operation lamp (OPER): This lamp lights when the air conditioner is running.

15. SERVICE lamp: When a fault occurs in the air conditioner, this lamp turns on or flashes in combination with the other two lamps to indicate the type of fault.

16. TIMER lamp: This lamp lights when the system is being controlled by the timer.

MODELS KAF - KPAF



1. Remote control unit.

2. **Sensor:** Detects the room temperature around the remote control unit, the air conditioner is controlled accordingly.

3. **Air outlet:** Conditioned air is blown out of the air conditioner through the air outlet.

4. **Air intake:** Air from the room is drawn into this section and passes through air filter which removes dust.

5. **Remote control receiver:** This section picks up infrared signals from the remote control unit (Transmitter).

6. Operation selector.

ON Position: In this position the air conditioner is operating and controlled by the remote control unit. Set the selector normally in this position.

OFF Position: Switch the selector to the off position if you are not going to use the air conditioner for a few days or longer.



WARNING

The OFF position does not disconnect the power. Use the main power switch to turn off power completely.



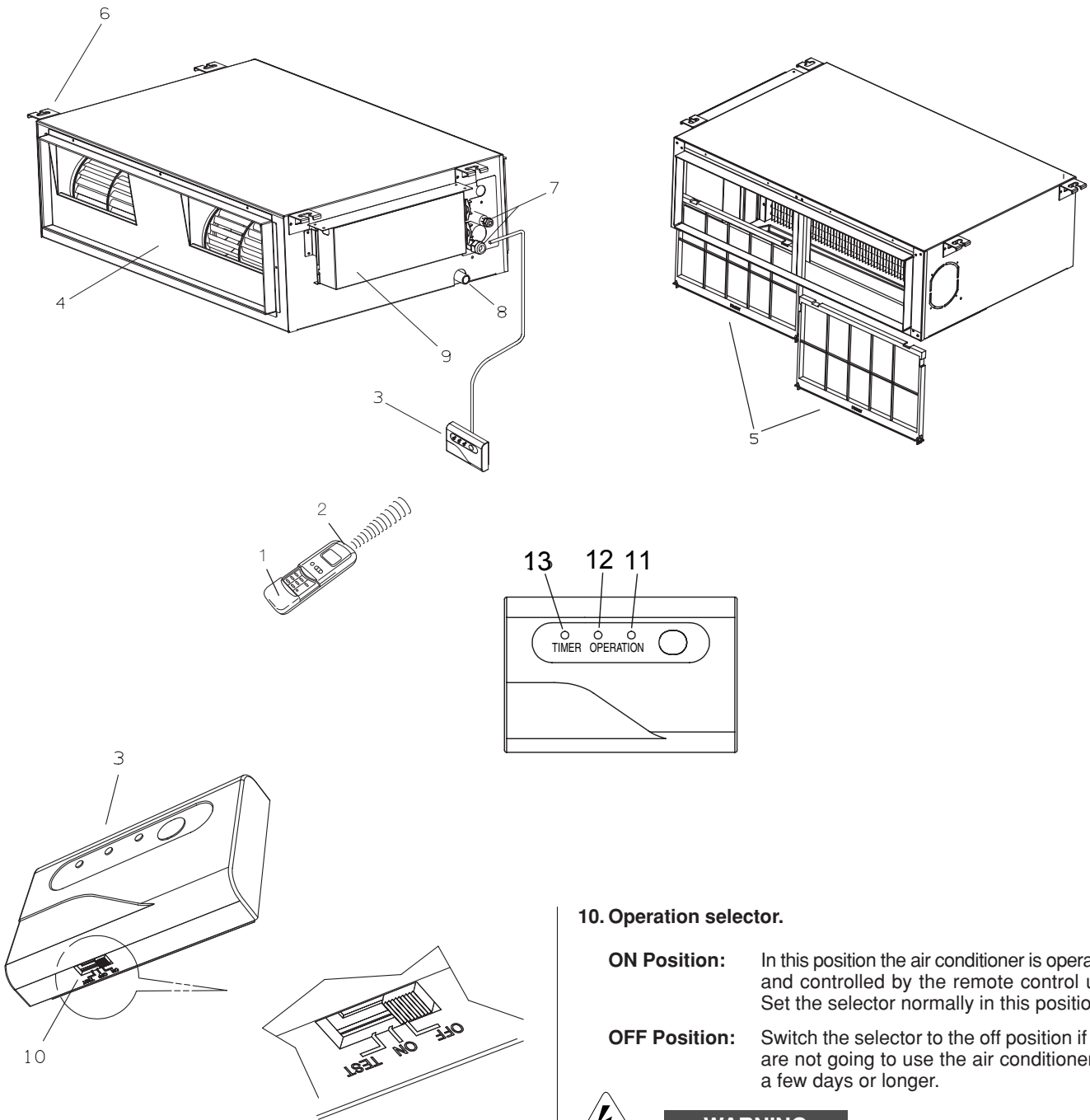
CAUTION

TEST Position: This position is used only for servicing the air conditioner, so don't leave the selector in this position for normal operation.

7. **Operation lamp (OPR):** This lamp lights when the air conditioner is running.

8. **SERVICE lamp:** When a fault occurs in the air conditioner, this lamp turns on or flashes in combination with the other two lamps to indicate the type of fault.

9. **TIMER lamp:** This lamp lights when the system is being controlled by the timer.



1. Remote control unit.
2. **Sensor:** Detects the room temperature around the remote control unit, the air conditioner is controlled accordingly.
3. **Receiver:** This section picks up infrared signals from the remote control unit (Transmitter).
4. **Air outlet:** Conditioned air is blown out of the air conditioner through the air outlet (four flaps).
5. **Air filter.**
6. **Suspension brackets.**
7. **Refrigerant couplings.**
8. **Condensate drain connection.**
9. **Electric junction box.**

10. Operation selector.

- ON Position:** In this position the air conditioner is operating and controlled by the remote control unit. Set the selector normally in this position.
- OFF Position:** Switch the selector to the off position if you are not going to use the air conditioner for a few days or longer.



WARNING

The OFF position does not disconnect the power. Use the main power switch to turn off power completely.



CAUTION

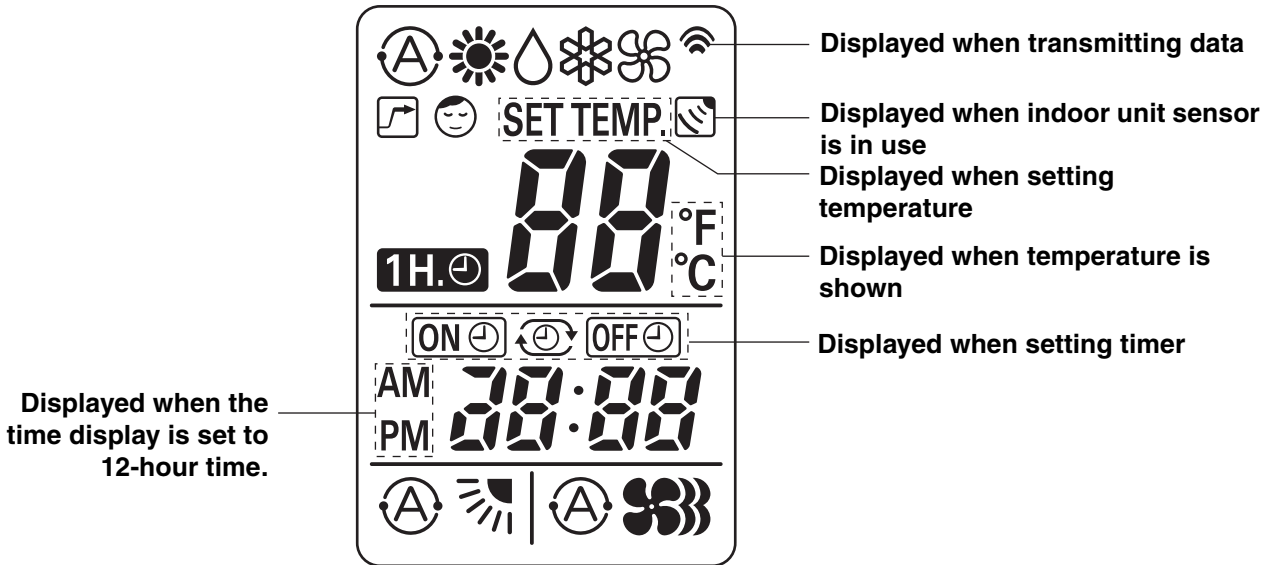
TEST Position: This position is used only for servicing the air conditioner, so don't leave the selector in this position for normal operation.

11. Operation lamp: This lamp lights when the air conditioner is running.

12. SERVICE lamp: When a fault occurs in the air conditioner, this lamp turns on or flashes in combination with the other two lamps to indicate the type of fault.

13. TIMER lamp: This lamp lights when the system is being controlled by the timer.

Remote Control Unit (Display)



Symbols

(1) Operation mode

AUTO	
HEAT	
MILD DRY	
COOL	
FAN	

(2) Fan speed

Automatic operation	
HIGH	
MEDIUM	
LOW	

(3) Temperature setting

16 – 30 °C	
When set to 28 °C	
temperature indication	

(4) Timer

24-hour clock with ON/OFF program Timer	
ON Timer	
OFF Timer	
1-hour OFF Timer	

(5) NIGHT SETBACK



(6) Confirmation

of transmission	
-----------------------	--

(7) Auto. flap indication



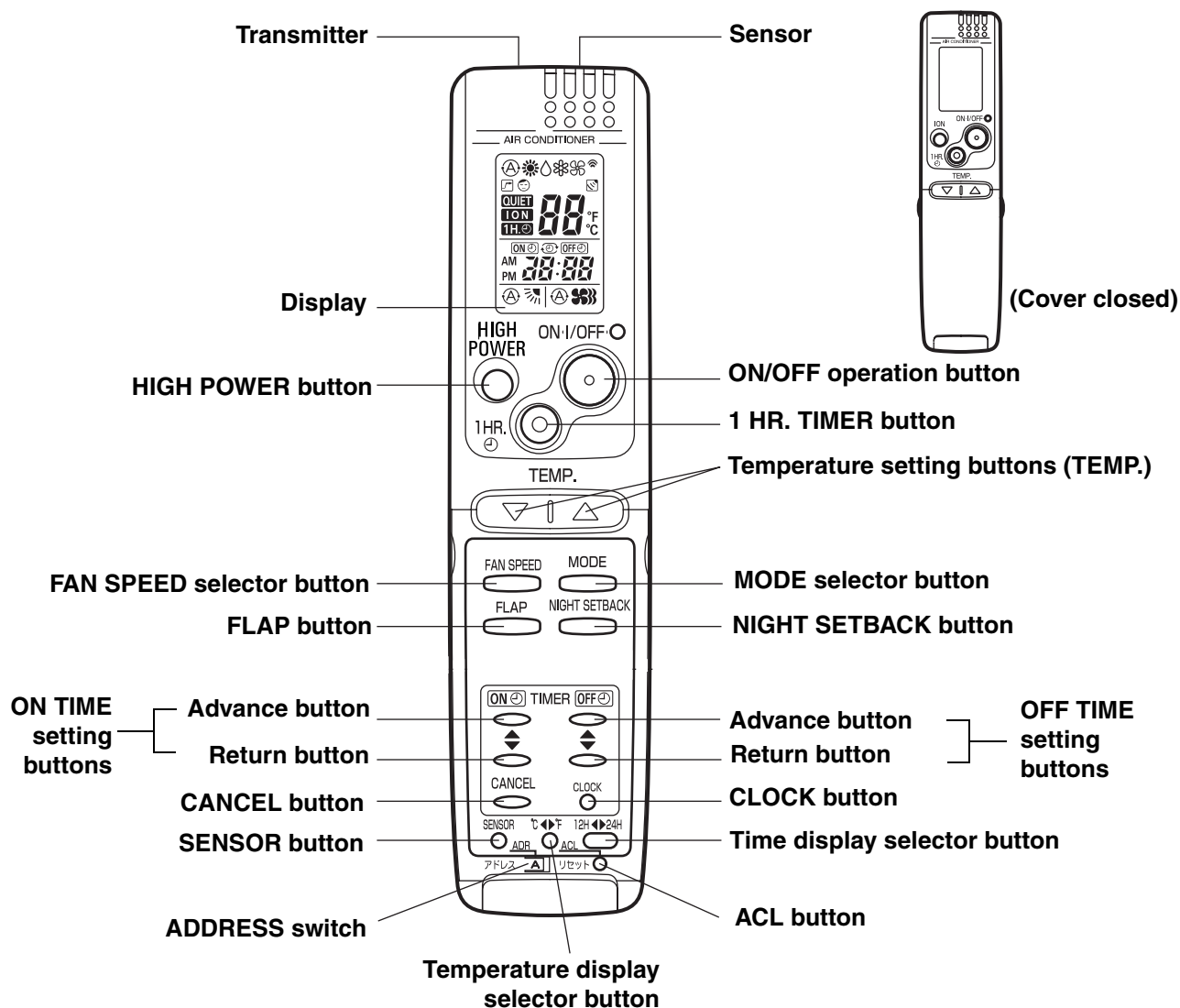
Flap angle indication	
-----------------------------	--

Sweep indication	
------------------------	--


(8) High power operation














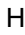








Remote Control Unit




NOTE The illustration above pictures the remote control unit after the cover has been opened.

Transmitter	When you press the buttons on the remote control unit, the  mark appears in the display to transmit the setting changes to the receiver in the air conditioner.
Sensor	A temperature sensor inside the remote control unit senses the room temperature.
Display	Information on the operating conditions is displayed while the remote control unit is switched on. If the unit is turned off, FLAP setting and FAN SPEED setting are not displayed.
ON/OFF operation button	This button is for turning the air conditioner on and off.
1 HR. TIMER button (1-HOUR OFF TIMER)	1H. : When you press this button, regardless of whether the unit is operating or stopping, the unit operates for one hour and then shuts down.

Remote Control Unit (continued)

<p>Temperature setting buttons (TEMP.)</p>	<p>Press the  button to increase the set temperature. Press the  button to reduce the set temperature. The temperature setting changes by 1 °C or 2 °F each time one of the TEMP. buttons is pressed.</p>
<p>MODE selector button (AUTO)</p> <p>(HEAT)</p> <p>(DRY)</p> <p>(COOL)</p> <p>(FAN)</p>	<p>Use this button to select AUTO, HEAT, DRY, COOL or FAN mode.</p> <p> : When this setting is selected, the air conditioner calculates the difference between the thermostat setting and the room temperature and automatically switches to the “COOL” or “HEAT” mode as appropriate (except at “M” of the Single/Multiple switch).</p> <p> : The air conditioner makes the room warmer.</p> <p> : The air conditioner reduces the humidity in the room.</p> <p> : The air conditioner makes the room cooler.</p> <p> : The air conditioner works only as a circulation fan (except at “M” of the Single/Multiple switch).</p>
<p>FAN SPEED selector button</p>	<p> : The air conditioner automatically decides the fan speeds.</p> <p> : High fan speed</p> <p> : Medium fan speed</p> <p> : Low fan speed</p>
<p>NIGHT SETBACK button</p>	<p>For details, see “5. Night Setback Mode”. When you press this button in the HEAT, DRY or COOL mode, the  mark appears in the display, and the remote control unit will automatically adjust the set temperature to save energy.</p>
<p>FLAP button (NOT ACTIVE FOR MODELS DSAF-KAF)</p> <p>NOTE</p>	<p>Press this button either to select the setting of the airflow direction to the auto. flap in each mode or one of the six possible positions manually or to select the sweep function which moves the flap up and down automatically.</p> <p> : Auto flap setting: If selected in a heating operation, the flap is set to position (3) in the following chart. If selected in a cooling or dry operation, the flap is set at position (7) in the following chart.</p> <p> : The airflow direction can be set manually. (six positions)</p> <p> : The flap moves up and down automatically.</p> <p>When you press the FLAP button, the air flow direction will be changed one by one as follows.</p> <div style="text-align: center;">  </div>
<p>HIGH POWER button</p>	<p> : If this button is pressed during HEAT, DRY, COOL or FAN operation, the unit operates at maximum output for 30 minutes, regardless of the desired temperature. The fan speed is 1step above “HIGH”.</p>
<p>ON TIME/OFF TIME setting buttons</p>	<p>No display: The timer does not operate.</p> <p> : The air conditioner starts at the set time.</p> <p> : The air conditioner stops at the set time.</p> <p> : The air conditioner stops and starts, or starts and stops, at the set times every day. For details, see “Setting the Timer”.</p>

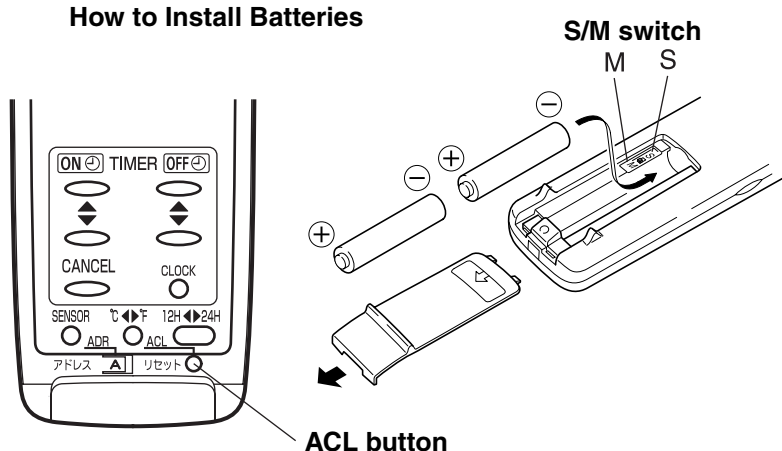
Remote Control Unit (continued)

<p>SENSOR button</p> <p>NOTE</p>	<p>When you press this button (use a small-tipped object such as a ballpoint pen), the  mark will appear at the display. And the room temperature is detected by the sensor which is built into the indoor unit and the air conditioner is controlled accordingly.</p> <p>If the remote control is located near a heat source, such as a space heater or in direct sunlight, press the SENSOR button to switch to the sensor on the indoor unit.</p>
<p>Temperature Display Selector button</p>	<p>This switches the temperature display between °C and °F.</p>
<p>Time Display Selector button</p>	<p>This switches the time display between 24-hour time and 12-hour time.</p>
<p>ACL button (ALL CLEAR)</p>	<p>Puts the remote control unit into pre-operation status. Always press this button after replacing the batteries and setting the S/M switch.</p>
<p>ADDRESS switch</p>	<ul style="list-style-type: none"> • The address switch changes to prevent mixing of signals from remote control units when two air conditioners are installed next to each other. Normally, the address switch is set to A. For more information, please contact the dealer where you made the purchase. • Normally, the tabs on the remote control unit should not be bent.
<p>S/M (Single/Multiple switch)</p> <p>NOTE</p>	<ul style="list-style-type: none"> • Initially, the S/M switch is set to S (Single). • Set this switch to M (Multiple) for multiple operation. • Always press ACL button by a thin object such as the tip of a pen after setting the S/M switch. <p>When multiple indoor units are used and units in other rooms are already operating, they will be set to the same mode of operation as the operating indoor units.</p>

NOTE The remote control unit sends the temperature signal to the air conditioner regularly at five minute intervals. If the signal from the remote control unit stops for more than 15 minutes due to the loss of the remote control unit or other trouble, the air conditioner will switch to the temperature sensor which is built into the indoor unit and control the room temperature. In these cases, the temperature around the remote control unit may differ from the temperature detected at the air conditioner's position.

Using the Remote Control Unit

How to Install Batteries



1. Slide the cover in the direction indicated by the arrow and remove it.
2. Install two AAA alkaline batteries. Make sure the batteries point in the direction marked in the battery compartment.
3. Use a thin object such as the tip of a pen to press the ACL button.

- NOTE**
- The batteries last about six months, depending on how much you use the remote control unit. Replace the batteries when the remote control unit's display fails to light, or when the remote control cannot be used to change the air conditioner's settings.
 - Use two fresh leak-proof type-AAA alkaline batteries.
 - In replacing batteries, follow the instructions as mentioned in the sub-section "How to Install Batteries".
 - If you do not use the remote control unit more than 1 month, take out the batteries.

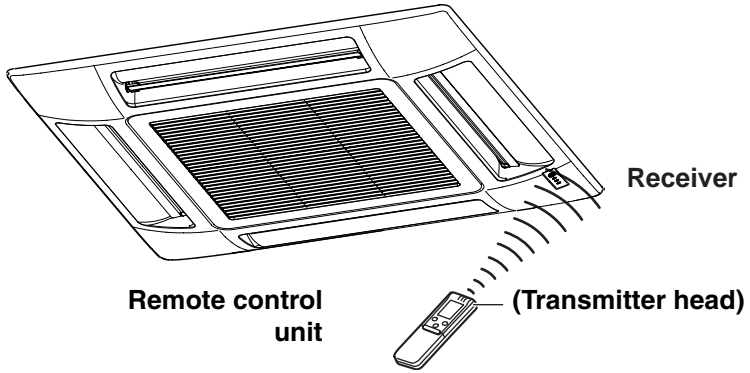
Using the Remote Control Unit (continued)

How to Use the Remote Control Unit

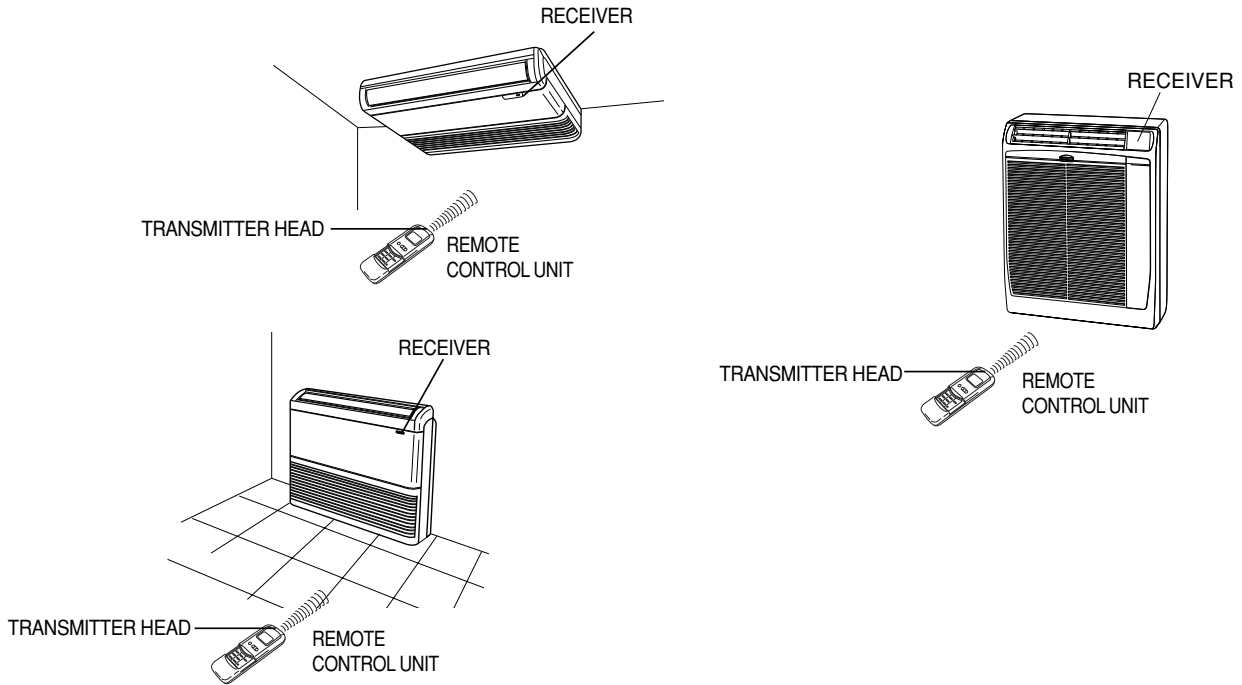
When using the remote control unit, always point the unit's transmitter head directly at the air conditioner's receiver.

MODELS CAF

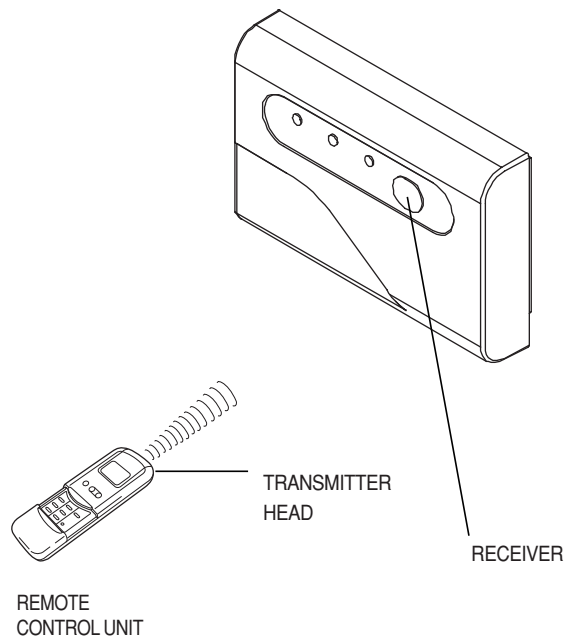
Air conditioner
(Indoor unit)



MODELS KAF - KPAF



MODELS DSAF



**Remote Control Unit
Installation Position**

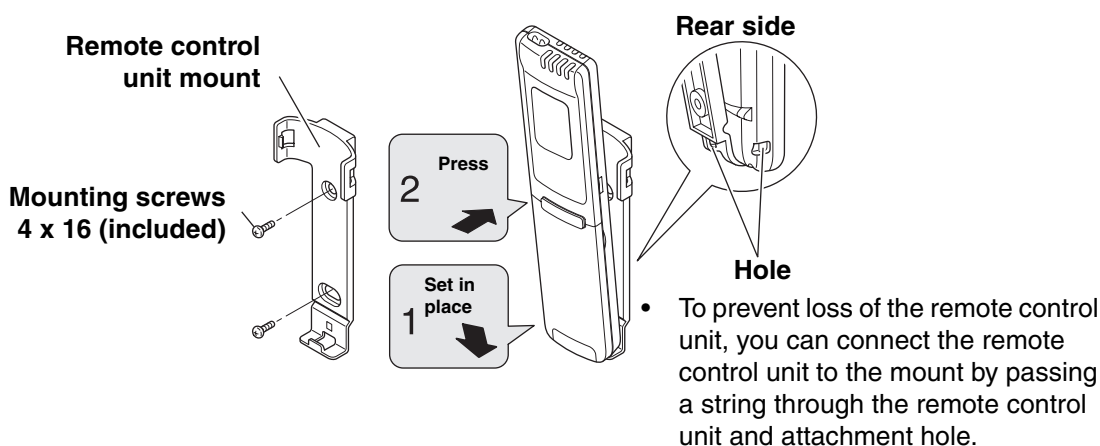
The remote control unit may be operated either from a non-fixed position or from a wall-mounted position. To ensure that the air conditioner operates correctly, DO NOT install the remote control unit in the following places:

- DO NOT**
- In direct sunlight
 - Behind a curtain or other places where it is covered
 - More than 8 m away from the air conditioner
 - In the path of the air conditioner's airstream
 - Where it may become extremely hot or cold
 - Where it may be subject to electrical or magnetic noise
 - Where there is an obstacle between the remote control unit and air conditioner (since a check signal is sent from the remote control unit every 5 minutes)

EG

**Mounting the Remote Control
Unit**

Before mounting the remote control unit, press the ON/OFF operation button at the mounting location to make sure that the air conditioner operates from that location. The indoor unit should make a beeping sound to indicate that it has received the signal.



To take out the remote control unit, pull it forward.

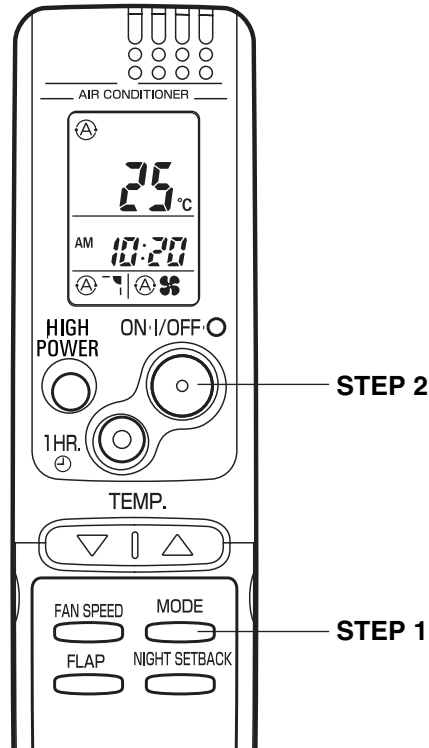
**When Holding the Remote
Control Unit**

- When using the remote control unit and during air conditioner operation, the transmitter on the remote control unit should be pointed toward the receiver on the indoor unit.
- Make sure that there are no objects between the remote control unit and receiver which could block the signal.

Operation with the Remote Control Unit

1. Automatic Operation

This unit automatically switches between cooling operation and heating operation according to the difference between the room temperature and the temperature setting.



NOTE Check that the circuit breaker on the power panel is turned on.

Once A mode is selected and the unit is preset by following the steps below, you can have the air conditioner automatically bring the room to the desired temperature simply by pressing the ON/OFF operation button.

STEP 1	Press the MODE selector button to A .
STEP 2	Press the ON/OFF operation button.

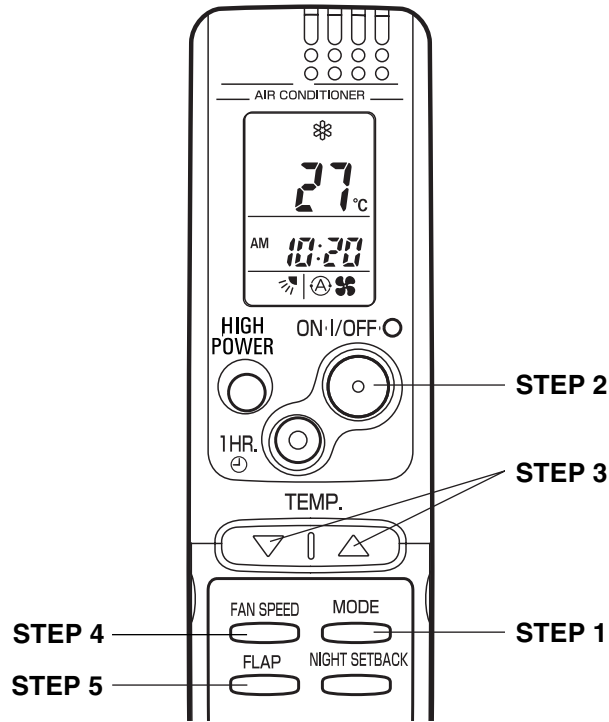
To stop the air conditioner, press the ON/OFF operation button again.

NOTE

- To change the temperature setting; press the temperature setting buttons and change the setting to the desired temperature.

Operation with the Remote Control Unit (continued)

2. Manual Operation



NOTE Check that the circuit breaker on the power panel is turned on and that the operation selector of the indoor unit is in the ON position.

If the automatic operation settings of the unit do not meet your needs, press the setting buttons as described below and change the settings as desired.

<p>STEP 1</p>	<p>Press the MODE selector button and select the desired mode.</p> <p>For heating operation → ☀</p> <p>For dehumidifying operation → 💧</p> <p>For cooling operation → ❄</p> <p>For fan only operation → 🌀</p>
<p>STEP 2</p>	<p>To start the air conditioner, press the ON/OFF operation button.</p>
<p>STEP 3</p>	<p>Press the TEMP. setting buttons to change the temperature setting to the desired temperature.</p> <p>Adjustable temperature range:</p> <p>30 °C max. or 86 °F max.</p> <p>16 °C min. 60 °F min.</p>
<p>STEP 4</p>	<p>Set the FAN SPEED selector button to the setting you want.</p>
<p>STEP 5</p>	<p>Press the FLAP button and set the airflow direction as desired.</p> <p>(Refer to “Adjusting the Airflow Direction” on page 21.)</p>

(NOT ACTIVE FOR MODELS DSAF-KAF)

To stop the air conditioner, press the ON/OFF operation button again.

Operation with the Remote Control Unit (continued)

NOTE

- Choose the best position in the room for the remote control unit, which also acts as the sensor for room comfort and transmits the operating instructions. Once you've found this best position, always keep the remote control unit there.
- This appliance has a built-in 5-minute time delay circuit to ensure reliable operation. When the operation button is pressed, the compressor will start running within three minutes. In the event of power failure, the unit will stop.

3. Adjusting the Fan Speed

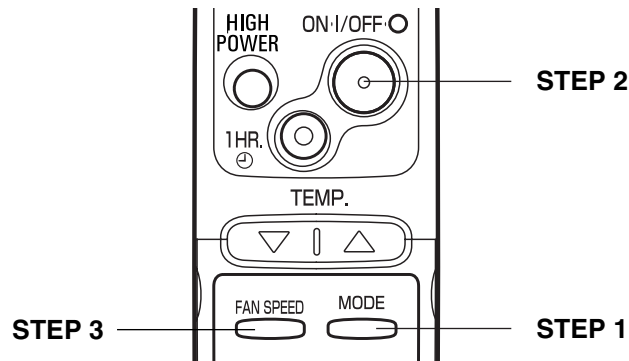
A. Automatic fan speed

Simply set the FAN SPEED selector button to the position. This automatically sets the best fan speed for the room temperature.

B. Manual fan speed

If you want to adjust fan speed manually during operation, just set the FAN SPEED selector button as desired. [, , or]

4. Fan Only

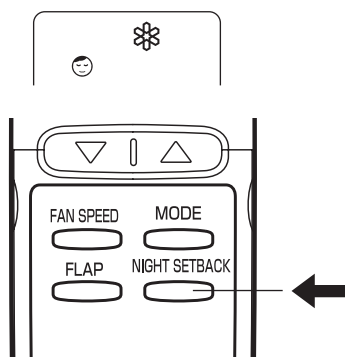


If you want to circulate air without any temperature control, follow these steps:

STEP 1	Press the MODE selector button to switch to the fan mode .
STEP 2	Press the ON/OFF operation button.
STEP 3	Press the FAN SPEED selector button to select the fan speed of your choice (, , or).

Operation with the Remote Control Unit (continued)

5. Night Setback Mode



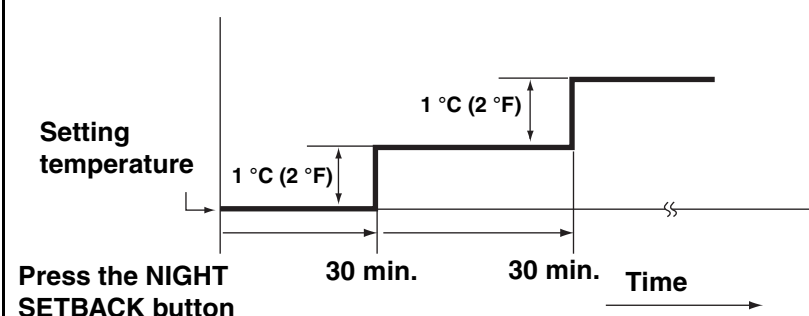
Night Setback Mode is used for saving energy.

Press the NIGHT SETBACK button while operation.
The ☺ mark appears in the display.

To release the night setback function, press the NIGHT SETBACK button again.

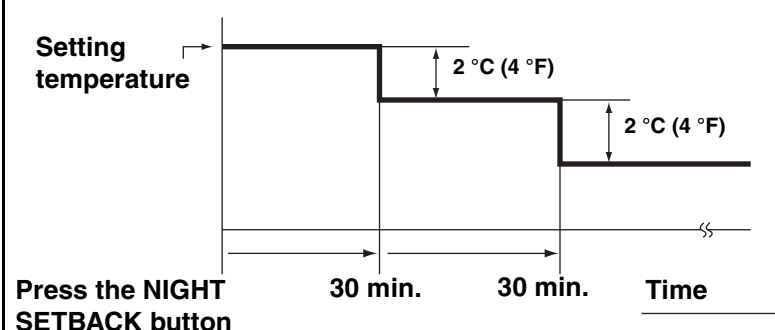
A. In Cooling and DRY Mode: (☼ and ☹)

When the night setback mode is selected, the air conditioner automatically raises the temperature setting 1 °C when 30 minutes have passed after the selection was made, and then another 1 °C after another 30 minutes have passed, regardless of the indoor temperature when night setback was selected. This enables you to save energy without sacrificing comfort. This function is convenient when gentle cooling is needed.



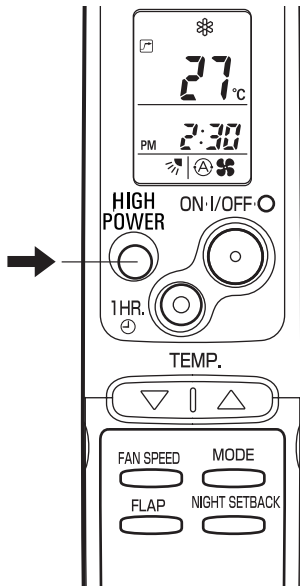
B. In Heating Mode: (☼)

When the night setback mode is selected, the air conditioner automatically lowers the temperature setting 2 °C when 30 minutes have passed after the selection was made, and then another 2 °C after another 30 minutes have passed, regardless of the indoor temperature when night setback was selected. This enables you to save energy without sacrificing comfort. This function is convenient when gentle heating is needed.




Operation with the Remote Control Unit (continued)

6. HIGH POWER Mode




HIGH POWER mode can be used to increase the output of the indoor unit for all operation modes except automatic operation.

Press the HIGH POWER button.
The  mark appears in the display.

To cancel, press HIGH POWER button again.

- When the HIGH POWER button is pressed, the unit operates at maximum output for 30 minutes, regardless of the desired temperature. The fan speed is 1 step above “High”.
- HIGH POWER Mode cannot be used when the operation mode is Automatic Operation.

NOTE

- When set to High fan speed during heating operation, the fan runs at High fan speed even though the  mark is displayed.
- Depending on the operating conditions, the fan speed may be increased by a small amount only.

Special Remarks

“DRY” (△) Operation

How it works?

- Once the room temperature reaches the level that was set, the unit's operation frequency is changed automatically.
- During DRY operation, the fan speed automatically runs at lower speed for providing a comfortable breeze.
- “DRY” operation is not possible if the indoor temperature is 15 °C or less.

Heating (☀) Operation

Heating performance

- Because this air conditioner heats a room by drawing in the heat of the outside air (heat pump system), the heating efficiency will fall off when the outdoor temperature is very low. If sufficient heat cannot be obtained with this air conditioner, use another heating appliance together with it.

Defrosting

- When the outdoor temperature is low, frost or ice may form on the heat exchanger coil, reducing heating performance. When this happens, a microcomputer defrosting system operates. At the same time, the fan on the indoor unit stops and the OPERATION lamp lights red and orange alternately until defrosting is completed. Heating operation restarts after several minutes. (This interval will vary slightly depending upon the outdoor temperature and the way in which frost forms.)

Cold draft prevention

- For several minutes after the start of heating operation, the indoor fan runs at a lower speed until the indoor heat exchanger coil has warmed up sufficiently. However, the fan may remain stopped when the room temperature is low. This is because the COLD DRAFT PREVENTION SYSTEM is in operation.

Power failure during operation

- In the event of power failure, the unit will stop. When the power is resumed, the unit will restart automatically within five minutes by the remote control unit.

Clicking Sound

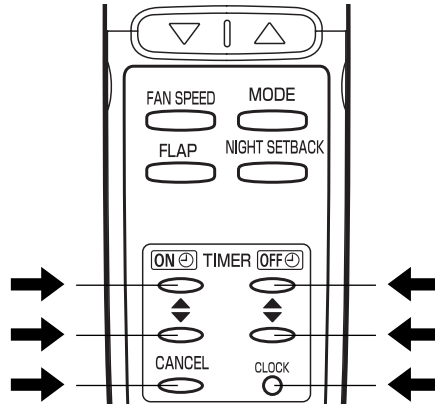
Clicking sound is heard from the air conditioner

- In heating or cooling operation, any plastic parts may expand or shrink due to a sudden temperature change. In this event, a clicking sound may occur. This is normal, and the sound will soon disappear.

Remote Control Unit

- The remote control unit sends the setting condition to the air conditioner regularly at five minute intervals.

Setting the Timer

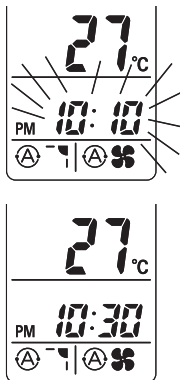


NOTE In the descriptions below, the following settings are used for the temperature and time indicator selector button on the bottom front section of the remote control.

- Temperature: °C
- Time: AM, PM

1. How to set the present time

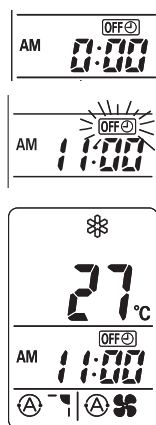
(Example) To set to 10:30 pm.



Operation	Indication
1. Press the CLOCK button once if the time indicator is not flashing.	The time indication alone flashes.
2. Press the Advance, Return (▲, ▼) button until PM 10:30 is displayed.	The time can be set in 1-minute increments. Holding down the button advances the time rapidly in 10-minute increments.
3. Press the CLOCK button again.	This completes the setting of the current time.

2. How to set the OFF time

(Example) To stop the air conditioner at 11:00 am.



1. Press the OFF TIME setting button once.	The timer OFF indication is displayed, and the present OFF time is shown.
2. Press the Advance, Return (▲, ▼) button until AM 11:00 is displayed.	The timer OFF indication blinks. The time can be set in 10-minute increments. Holding down the button advances the time rapidly in 10-minute increments.
3. Wait a few seconds, and then the setting is complete.	The timer OFF indication stops blinking and the present time is displayed.

Setting the Timer (continued)

3. How to set the ON time

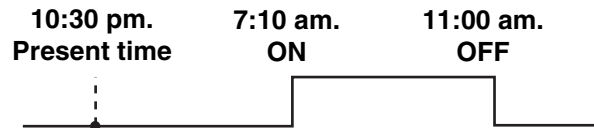
(Example) To start operation at 7:10 am.



Operation	Indication
1. Press the ON TIME setting button once.	The timer ON indication is displayed, and the present ON time is shown.
2. Press the Advance, Return (▲, ▼) button until AM 7:10 is displayed.	The timer ON indication blinks. The time can be set in 10-minute increments. Holding down the button advances the time rapidly in 10-minute increments.
3. Wait a few seconds, and then the setting is complete.	The timer ON indication stops blinking and the present time is displayed.

4. How to set DAILY ON/OFF REPEAT timer

(Example) To start operation at 7:10 am. and stop the air conditioner at 11:00 am.



1. Set the timer ON/OFF times as shown in 2-1, 2, 3 and 3-1, 2, 3.	The present time 10:30 pm. and ON OFF are displayed.
--	--

NOTE

- The ON/OFF combination timer uses the current time as the reference, and it is activated starting from whichever set time comes first.
- With the ON/OFF combination timer, the settings are repeated every day.
- You can check the timer ON/OFF times after you have set them by pressing the ON TIME and OFF TIME setting buttons.

To cancel a timer program

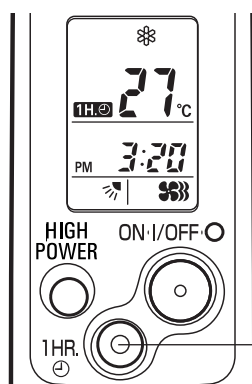
- Press the CANCEL button.
- When either an ON or OFF timer is to be canceled, press the button corresponding to the timer whose program is to be canceled, and then press the CANCEL button.

NOTE

- The airflow direction, fan speed and temperature setting can be changed after a timer program has been set even when the unit is stopped. Even when operation is stopped during an ON timer program, the unit will start operating when the set time is reached provided that the program is not canceled.
- When the ON timer and OFF timer are set to the same time, the timer operates as if it is turned off.

Using the 1-Hour OFF Timer

1. 1-Hour OFF Timer



This function causes the unit to operate for one hour and then stop, regardless of whether the unit is on or off when this button is pressed. The **1H.** indicator in the display indicates that this function is operating.

Setting procedure:

Regardless of whether the unit is operating or stopped, press the 1 HR. TIMER button.

1H. appears in the display.

Cancellation procedure:

Press the ON/OFF operation button to turn the unit off, wait for the unit to stop operating, and then press the ON/OFF operation button again.

The 1-Hour Timer function is now cancelled and the unit operates normally.

NOTE

- If, while the 1-Hour Timer function is operating, the 1HR. TIMER button is pressed once to cancel the function and then again, the unit continues to operate for one hour from that point in time and then stops.
- It is not possible to use the OFF Timer and 1-Hour OFF Timer together. Whichever function is set last takes precedence. If the 1 HR. TIMER button is pressed while the TIMER OFF function operates, the OFF Timer is cancelled and the unit will stop operating one hour later.

2. Operation together with the DAILY ON/OFF REPEAT Timer

The 1-Hour OFF Timer setting is given priority over the DAILY ON/OFF REPEAT setting.

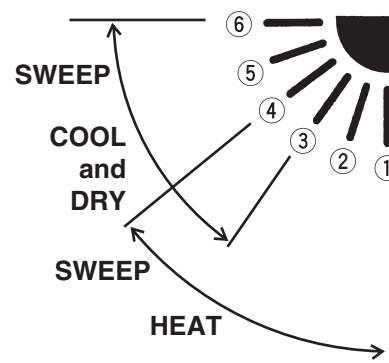
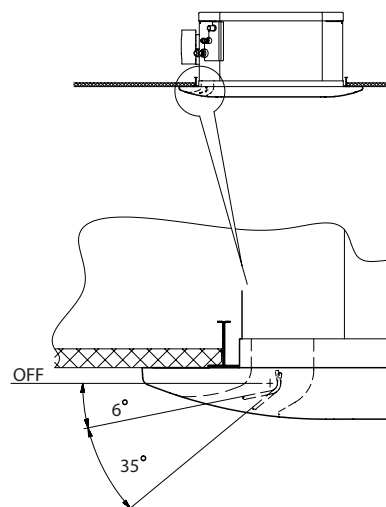
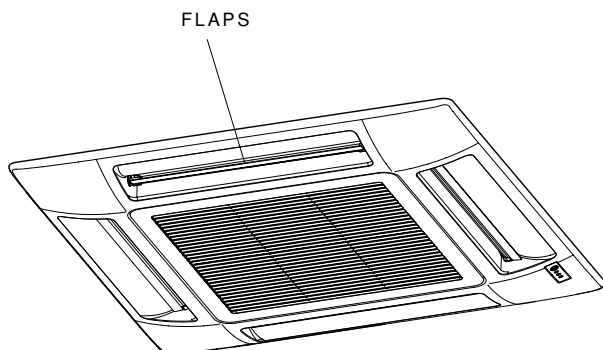
Tips for Energy Saving

- Do not**
 - **Block the air intake and outlet of the unit. If they are obstructed, the unit will not work well, and may be damaged.**
 - Let direct sunlight into the room. Use sunshades, blinds or curtains. If the walls and ceiling of the room are warmed by the sun, it will take longer to cool the room.
- Do**
 - Always try to keep the air filter clean. (Refer to “Care and Cleaning”.) A clogged filter will impair the performance of the unit.
 - To prevent conditioned air from escaping, keep windows, doors and any other openings closed.


Adjusting the Airflow Direction

MODELS CAF


This air conditioner is equipped with auto flaps.
You can set the airflow direction using the remote control unit.




A. Sweep function

 The flap starts moving up and down to deliver air over the sweep range.

C. Auto flap function

 The flap is set to the recommended position.

B. Setting the airflow manually

 Referring to the above illustration, use the FLAP button to set the airflow direction within the range used during the heating, cooling, or dehumidifying operation.

NOTE

- The flap automatically closes when the unit is off.
- During the heating operation, the fan speed will be very low and the flap will be in the horizontal position (position ⑥) until the air being blown out of the unit begins to warm. Once the air warms up, the flap position and fan speed change to the settings specified with the remote control.



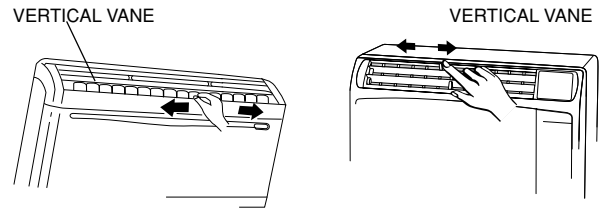
CAUTION

- Use the FLAP button on the remote control to adjust the position of the flap. If you move the flap by hand, the flap position according to the remote control and the actual flap position may no longer match. If this should happen, shut off the unit, wait for the flap to close, and then turn on the unit again; the flap position will now be normal again.
- Do not have the flap pointed down during cooling operation. Condensation may begin to form around the air vent and drip down.

MODELS KAF - KPAF

HORIZONTAL (manual)

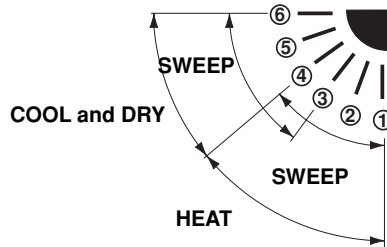
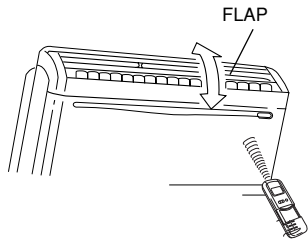
The horizontal air flow can be adjusted by moving the vertical vanes to the left or right, as indicated in the following figures for each model.



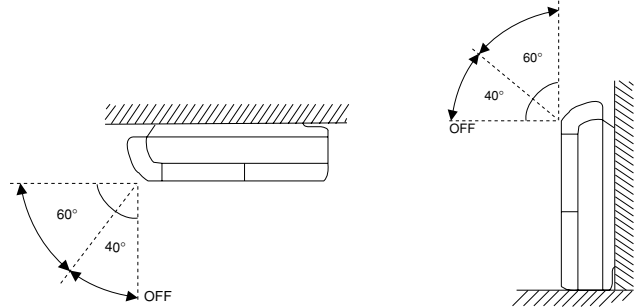
Set vertical vanes to the front position during COOLING/DRY operation if humidity is high. If the vertical vanes are set to the left-most or right-most position, condensation will form around the air outlet and drip off.

VERTICAL (with remote control unit) KPAF

Make sure that the remote control unit has been turned on. Press the FLAP button to select the sweep function or to choose one of the six positions of the flap.



HOW TO ADJUST THE FLAP DIRECTION



A. Sweep function



The flap starts moving up and down to deliver air over the sweep range.

B. Setting the airflow manually



Referring to the above illustration, use the FLAP button to set the airflow direction within the range used during the heating, cooling, or dehumidifying operation.

NOTE

- The flap automatically closes when the unit is off.
- During the heating operation, the fan speed will be very low and the flap will be in the horizontal position (position ⑥) until the air being blown out of the unit begins to warm. Once the air warms up, the flap position and fan speed change to the settings specified with the remote control.

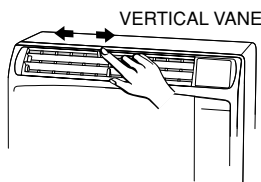


CAUTION

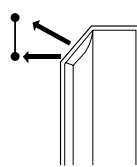
- Use the FLAP button on the remote control to adjust the position of the flap. If you move the flap by hand, the factual flap position and the flap position on the remote control may no longer match. If this should happen, shut off the unit, wait for the flap to close, and then turn on the unit again; the flap position will now be normal again.
- Do not have the flap pointed down during cooling and drying operation. Condensation may begin to form around the air vent and drip down.

VERTICAL (manual) KAF

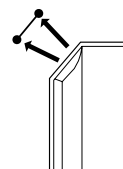
Hold the end of the flap and move it up and down to adjust the vertical air flow.



HOW TO ADJUST THE FLAP DIRECTION



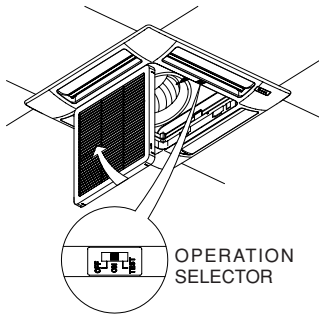
for cooling



for heating and dehumidifying

Operation without the Remote Control Unit

MODELS CAF



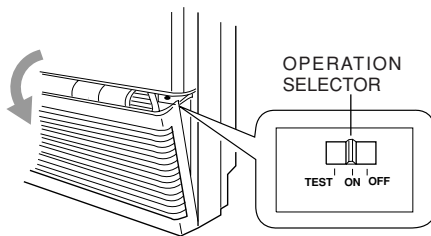
If you have lost the remote control unit or it has trouble, follow the steps below.

1. When the air conditioner is not running
If you want to turn on the air conditioner, switch the operation selector to the OFF position, and then to the ON position.

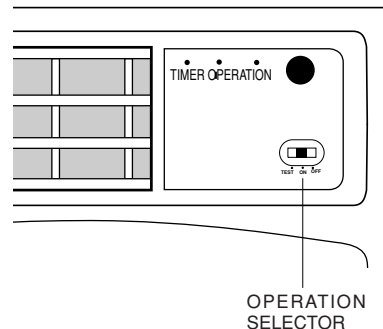
NOTE The set temperature and fan speed are automatically set at the last selection before stopping.

2. When the air conditioner is running
If you want to turn off the air conditioner, switch the operation selector to the OFF position.

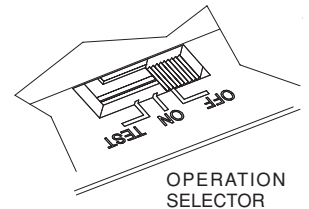
MODELS KPAF



MODELS KAF



MODELS DSAF



Care and Cleaning



WARNING

1. For safety, be sure to turn the air conditioner off and also to disconnect the power before cleaning.
2. Do not pour water on the indoor unit to clean it. This will damage the internal components and cause an electric shock hazard.

Casing and Grille (Indoor Unit)

Clean the casing and grille of the indoor unit with a vacuum cleaner brush, or wipe them with a clean, soft cloth.

If these parts are stained, use a clean cloth moistened with a mild liquid detergent. When cleaning the grille, be careful not to force the vanes out of place.

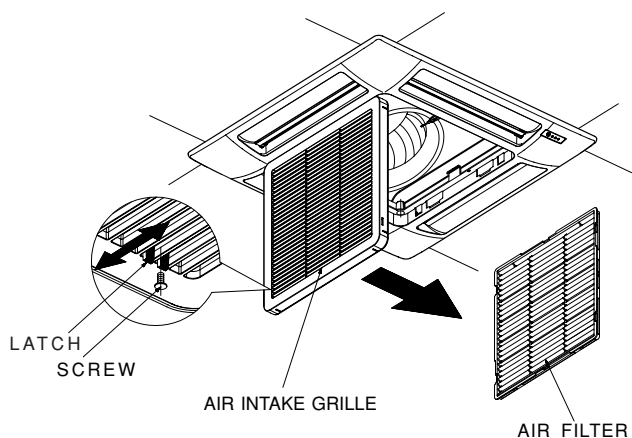


CAUTION

1. Never use solvents, or harsh chemicals when cleaning the indoor unit. Do not wipe the plastic casing using very hot water.
2. Some metal edges and the fins are sharp and may cause injury if handled improperly; be especially careful when you clean these parts.
3. The internal coil and other components of the outdoor unit must be cleaned every year. Consult your dealer or service center.

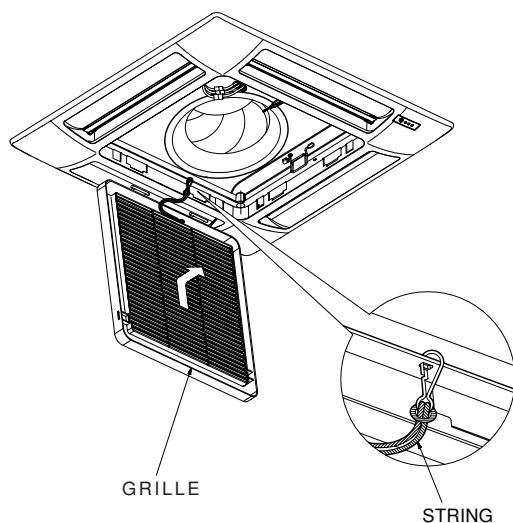
AIR FILTER

The air filter should be cleaned at least once every six months or more frequently; it depends on the real operation conditions.



1. Remove the screw on each side out of the latch using a screwdriver.
2. Press on the two latches of the air intake grille with your thumbs in the direction of the arrow to open the grille.
3. Open the air intake grille downward.
4. Remove the air filter from the air intake grille.
5. Use a vacuum cleaner to remove light dust. If there is sticky dust on the filter, wash the filter in lukewarm, soapy water, rinse it in clean water, and dry it.
3. Insert the filter correctly again inside the grille, close the grille letting the latches slide toward the outside and fix again the latch with the screw on both sides.

HOW TO REMOVE THE AIR INTAKE GRILLE



1. Detach the safety string from the frame (remember to attach it again after cleaning or maintenance).
2. Open the air intake grille, hold it on and pull it toward you to detach the two guides.
3. Clean the grille gently using a soft sponge, or the like. Then dry it with care. Neutral detergent may be used to remove stubborn dirt. Then rinse thoroughly with water and dry it.

ADDITIONAL MAINTENANCE

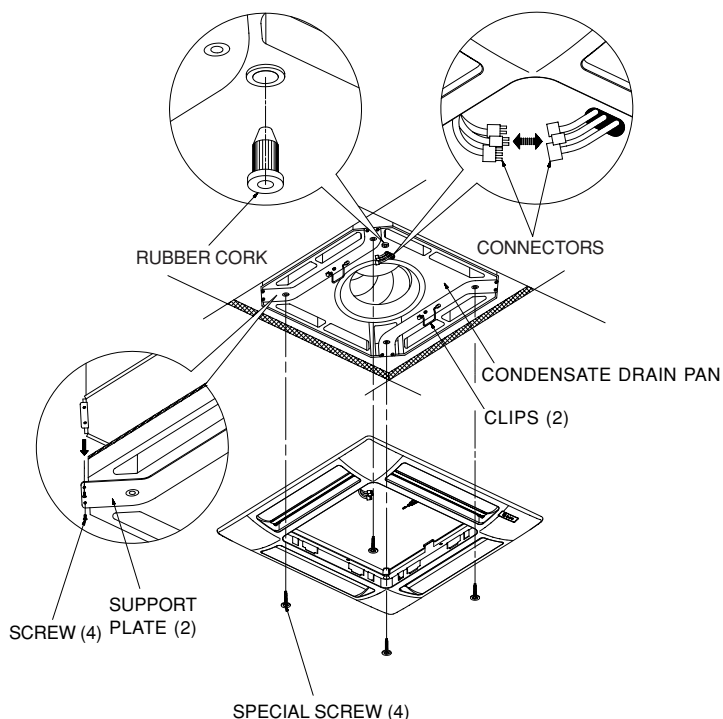
The inspection or replacement of internal components involve the removal of the condensate drain pan.



CAUTION

Some metal edges and the vanes of heat exchanger are sharp and may cause injury if handled improperly; be especially careful when you clean these parts.

HOW TO REMOVE THE CONDENSATE DRAIN PAN



1. Open the air intake grille.
2. Drain the condensate water into a bucket trough the rubber cork that should be soon closed.
3. Remove the frame-grille assembly by loosening the four special screws with washer; you can utilise the two clips that fix the frame to the unit.
4. Disconnect the electrical connectors between the frame-grille assembly and the unit.
5. Remove the four screws of the two support plates.
6. Grasp the two support plates, remove with care the condensate drain pan and clean it inside, if necessary.
7. Once finished the maintenance, reassemble the pan, aligning the side with the hole for condensate drain and the side with the pump; insert the connectors of the unit into the proper hole in the pan.
8. Fix again the four screws of the support plates and the frame group aligning the corner from which the wires exit and the corner with the connectors of the unit.
9. Mount the air intake grille along with the filter; be sure that the safety string has been attached and that the latch screw has been fixed on both sides.

MODELS KAF - KPAF

AIR FILTER

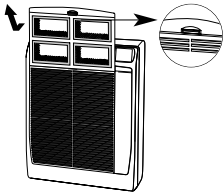
The air filter behind the air intake grille should be checked and cleaned at least once every two weeks.

HOW TO REMOVE THE FILTER



1. Grasp both ends of the air intake grille and pull to open it.
2. Hold the air filter and pull it upward. Clean the air filter.
3. When replacing the filter, make sure that the FRONT mark is facing you. Reinsert the filter into place and close the air intake grille.

HOW TO REMOVE THE FILTER

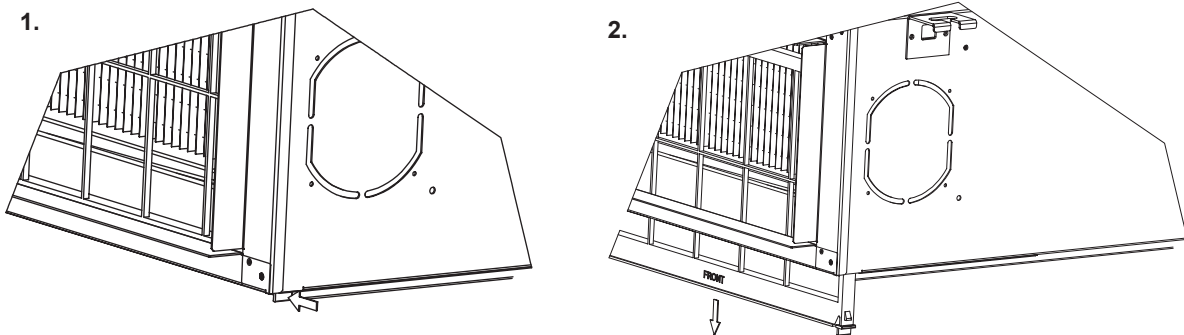


Hold the air filter by the tab at the top and then pull upwards. Clean the air filter and replace it.

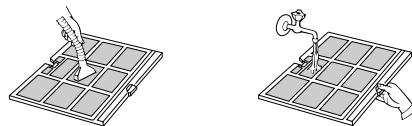
MODELS DSAF

Air Filter The air filter should be cleaned at least once every six months or more frequently; it depends on the real operation conditions.

HOW TO REMOVE THE FILTER



FILTER CLEANING



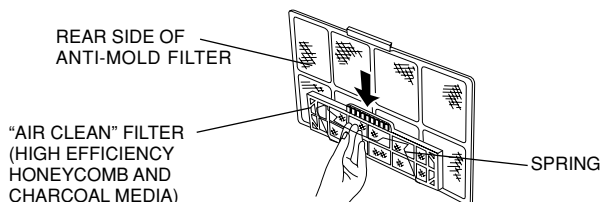
Use a vacuum cleaner to remove light dust. If there is sticky dust on the filter, wash the filter in lukewarm, soapy water, rinse it in clean water, and dry it.

**"AIR CLEAN" FILTER (only for KPAF models)
(ACCESSORY SUPPLIED ON REQUEST)**

- The air filter is to be added by springs to the standard filter.
- It is made of two layers:
 - the first layer consists in a synthetic honey comb high efficiency media to remove the dust and purifying the air.
 - the second layer in charcoal media deodorizing the ambient air.

How to install the "Air clean" filter.

1. Open the unit intake air grille and pull out the standard air filter.
2. Apply on the rear side of the filter the two springs supplied with the accessory.
3. Fix the "air clean" filter by the springs.
4. Insert the two air filters one over the other and close the intake grille.



Troubleshooting

If your air conditioner does not work properly, first check the following points before requesting service. If it still does not work properly, contact your dealer or service center.

Trouble	Possible Cause	Remedy
Air conditioner does not run at all.	<ol style="list-style-type: none"> 1. Power failure. 2. Leakage circuit breaker tripped. 3. Line voltage is too low. 4. Batteries in remote control unit have run down. 	<ol style="list-style-type: none"> 1. Restore power. 2. Contact service center. 3. Consult your electrician or dealer. 4. Replace batteries.
OPERATION lamp blinks and air conditioner does not operate.	Trouble in system.	Contact service center.
Compressor runs but soon stops.	Obstruction in front of condenser coil.	Remove obstruction.
Poor cooling (or heating) performance.	<ol style="list-style-type: none"> 1. Dirty or clogged air filter. 2. Heat source or many people in room. 3. Doors and/or windows are open. 4. Obstacle near air intake or air discharge port. 5. Thermostat is set too high for cooling (or too low for heating). 6. (Outdoor temperature is too low for heating.) 	<ol style="list-style-type: none"> 1. Clean air filter to improve airflow. 2. Eliminate heat source if possible. 3. Shut them to keep the heat (or cold) out. 4. Remove it to ensure good airflow. 5. Set the temperature lower (or higher). 6. (Consult your dealer or try to use another heat appliance.)
Clicking sound is heard from the air conditioner.	In heating or cooling operation, any plastic parts may expand or shrink due to a sudden temperature change. In this event, a clicking sound may occur.	This is normal, and the sound will soon disappear.
OPERATION lamp lights but outdoor unit will not run.	The use of cellular phones near the air conditioner may cause disturbance to its normal operation.	<ol style="list-style-type: none"> 1. Turn off the power then restart the air conditioner after a while. 2. Consult your dealer.



EG INFORMATION FOR CORRECT DISPOSAL OF THE PRODUCT IN ACCORDANCE WITH THE EUROPEAN DIRECTIVE 2002/96/EC

At the end of its working life this equipment must not be disposed of as an household waste.

It must be taken to special local community waste collection centres or to a dealer providing this service.

Disposing of an electrical and electronic equipment separately avoids possible negative effects on the environment and human health deriving from an inappropriate disposal and enables its components to be recovered and recycled to obtain significant savings in energy and resources.

In order to underline the duty to dispose of this equipment separately, the product is marked with a crossed-out dustbin.

ES ADVERTENCIA PARA LA ELIMINACIÓN CORRECTA DEL PRODUCTO SEGÚN ESTABLECE LA DIRECTIVA EUROPEA 2002/96/CE

Al final de su vida útil, este equipo no debe eliminarse junto a los desechos domésticos.

Debe entregarse a centros específicos de recogida diferenciada locales o a distribuidores que facilitan este servicio.

Eliminar por separado un equipo eléctrico y electrónico significa evitar posibles consecuencias negativas para el medio ambiente y la salud derivadas de una eliminación inadecuada y permite reciclar los materiales que lo componen, obteniendo así un ahorro importante de energía y recursos.

Para subrayar la obligación de eliminar por separado estos equipos, en el producto aparece un contenedor de basura tachado.

F AVERTISSEMENT POUR L'ÉLIMINATION CORRECTE DU PRODUIT AUX TERMES DE LA DIRECTIVE EUROPÉENNE 2002/96/CE

Au terme de son utilisation cet équipement ne doit pas être éliminé avec les ordures ménagères.

Le produit doit être remis à l'un des centres de collecte sélective locaux ou auprès des revendeurs assurant ce service.

Éliminer séparément un équipement électrique et électronique permet d'éviter des potentielles retombées négatives pour l'environnement et la santé humaine dérivant d'une élimination incorrecte et permet de récupérer les matériaux qui le composent dans le but d'une économie importante en termes d'énergie et de ressources.

Pour rappeler l'obligation d'éliminer séparément ces équipements, le produit porte le symbole d'un caisson à ordures barré.

D HINWEIS FÜR DIE KORREKTE ENTSORGUNG DES PRODUKTS IN ÜBEREINSTIMMUNG MIT DER EUROPÄISCHEN RICHTLINIE 2002/96/EG

Am Ende seiner Nutzzeit darf dieses Gerät nicht zusammen mit dem Hausmüll beseitigt werden.

Es darf zu den örtlichen Sammelstellen oder zu den Fachhändlern, die einen Rücknahmeservice anbieten, gebracht werden.

Die getrennte Entsorgung eines elektrischen und elektronischen Gerätes vermeidet mögliche negative Auswirkungen auf die Umwelt und die menschliche Gesundheit, die durch eine nicht vorschriftsmäßige Entsorgung bedingt ist. Zudem ermöglicht wird die Wiederverwertung der Materialien, aus denen sich das Gerät zusammensetzt, was wiederum eine bedeutende Einsparung an Energie und Ressourcen mit sich bringt

Zur Erinnerung an die Verpflichtung, die diese Geräte getrennt zu beseitigen, ist das Produkt mit einer durchgestrichen Mülltonne gekennzeichnet.

F-GAS Regulation (EC) No. 842/2006

- EG** Do not vent R410A into atmosphere: R410A is a fluorinated greenhouse gas, covered by Kyoto Protocol, with a Global Warming Potential (GWP) = 1975.
- ES** No expulsar R410A a la atmósfera: el R410A es un gas fluorado de efecto invernadero, cubierto por el protocolo de Kyoto, con potencial de calentamiento global (GWP) = 1975.
- F** Ne déchargez pas R410A dans l'atmosphère : R410A est un gaz fluoré à effet de serre, couvert par le protocole de Kyoto, avec un potentiel de chauffage global (GWP) = 1975.
- D** Zerstreuen Sie R410A in Atmosphäre nicht: R410A ist ein fluoriertes Gas, abgedeckt durch Kyoto Protokoll, mit einem globalen wärmenden Potential (GWP) = 1975.



R.D. 28 Reyrieux BP 131 - 01601 Trévoux CEDEX France
Tél. 04.74.00.92.92 - Fax 04.74.00.42.00
R.C.S. Bourg-en-Bresse B 759 200 728