

Technibel

UNE AVANCE DANS L'AIR DU TEMPS

OPERATING INSTRUCTIONS • ISTRUZIONI D'USO
NOTICE D'UTILISATION • BEDIENUNGSANLEITUNG
INSTRUCCIONES DE USO • INSTRUCÇÕES DE FUNCIONAMENTO
ΟΔΗΓΙΕΣ ΧΡΗΣΕΩΣ

EG

I

F

D

E

P

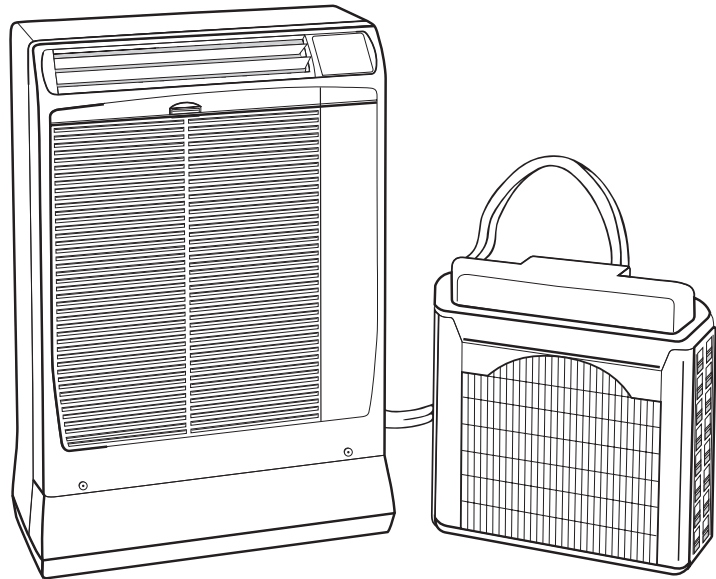
GR

COOL / DRY / FAN

SCDF xxx C5

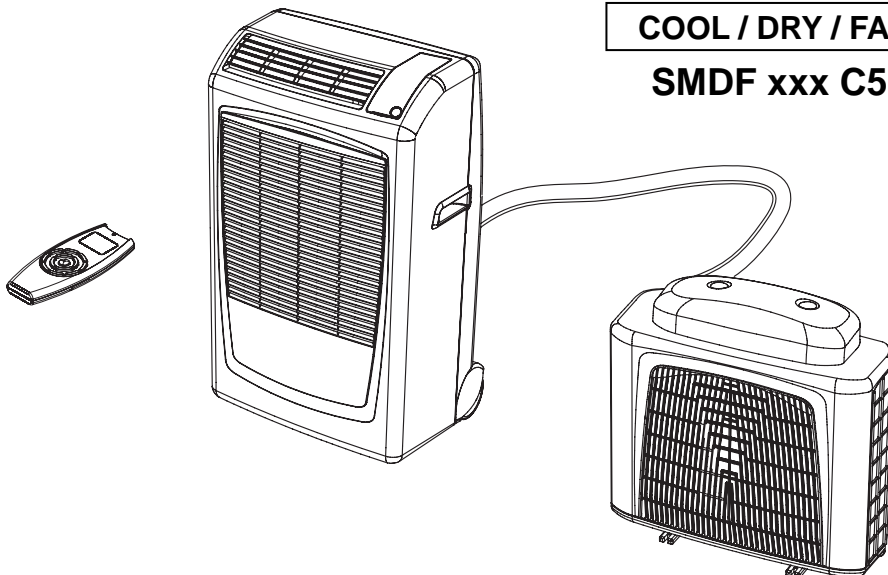
COOL / DRY / HEAT / FAN

SCDF xxx R5



COOL / DRY / FAN

S MDF xxx C5




MOVABLE AIR CONDITIONER

Room air conditioner with remote condenser
Condizionatore d'ambiente con condensatore remoto
Climatiseur avec condenseur a air exterieur • *Klimagerät mit außenkondensator*
Acondicionador de ambiente con condensador a distancia
Ar Condicionado com condensador remoto
Κλιματιστικό κλειστων χωρων με συμπυκνωτη

CONTENTS

PRODUCT IDENTIFICATION	3
MONITOR PANEL	3
INSTALLATION LOCATION	4
ELECTRICAL REQUIREMENTS	4
SAFETY INSTRUCTIONS	4
IMPORTANT ADVICE	4
AIR CONDITIONER INSTALLATION	5
USING THE REMOTE CONTROL UNIT	6
• How to install batteries	6
• Temperature sensor selector	6
• Operation with the remote control unit	6
REMOTE CONTROL UNIT	7
HOW TO SET THE PRESENT TIME	8
COOLING - HEATING	8
AUTOMATIC OPERATION	8
DEHUMIDIFYING (DRY)	9
FAN ONLY	9
ADJUSTING THE FAN SPEED	9
SLEEP MODE	9
SETTING THE TIMER	10
SETTING 1 HR TIMER	10
ADJUSTING THE AIR FLOW DIRECTION	10
OPERATION WITHOUT THE REMOTE CONTROL UNIT	10
CARE AND CLEANING	11
ACCESSORIES (SUPPLIED ON REQUEST)	12
TIPS FOR ENERGY SAVING	13
TROUBLESHOOTINGS	13
ELECTRIC WIRING DIAGRAMS' SYMBOLS	14

 **INFORMATION FOR CORRECT DISPOSAL OF THE PRODUCT IN ACCORDANCE WITH THE EUROPEAN DIRECTIVE 2002/96/EC**

At the end of its working life this equipment must not be disposed of as an household waste. It must be taken to special local community waste collection centres or to a dealer providing this service. Disposing of an electrical and electronic equipment and its batteries separately avoids possible negative effects on the environment and human health deriving from an inappropriate disposal and enables its components to be recovered and recycled to obtain significant savings in energy and resources. In order to underline the duty to dispose of this equipment and batteries separately, the product is marked with a crossed-out dustbin.

PRODUCT INFORMATION

If you have problems or questions concerning your Air Conditioner, you will need the following information. Model and serial numbers are on the nameplate on the bottom of the air conditioner.

Model No.
 Serial No.
 Date of purchase
 Dealer's address
 Phone number

ALERT SYMBOLS

The following symbols used in this manual, alert you to potentially dangerous conditions to users, service personnel or the appliance:



WARNING

This symbol refers to a hazard or unsafe practice which can result in severe personal injury or death.



CAUTION

This symbol refers to a hazard or unsafe practice which can result in personal injury or product or property damage.

NOTE

This air conditioner is equipped with cooling, drying and fan functions **COOL/DRY/FAN**, cooling, drying, heating and fan functions **COOL/DRY/HEAT/FAN**. Details on these functions are provided here following; refer on these descriptions when using the air conditioner.

DECLARATION OF CONFORMITY

This product is marked **CE** as it satisfies Directives:

- Low voltage no. 2006/95/CE.
- Electromagnetic compatibility no. 2004/108/CE, 92/31 EEC and 93/68 EEC.

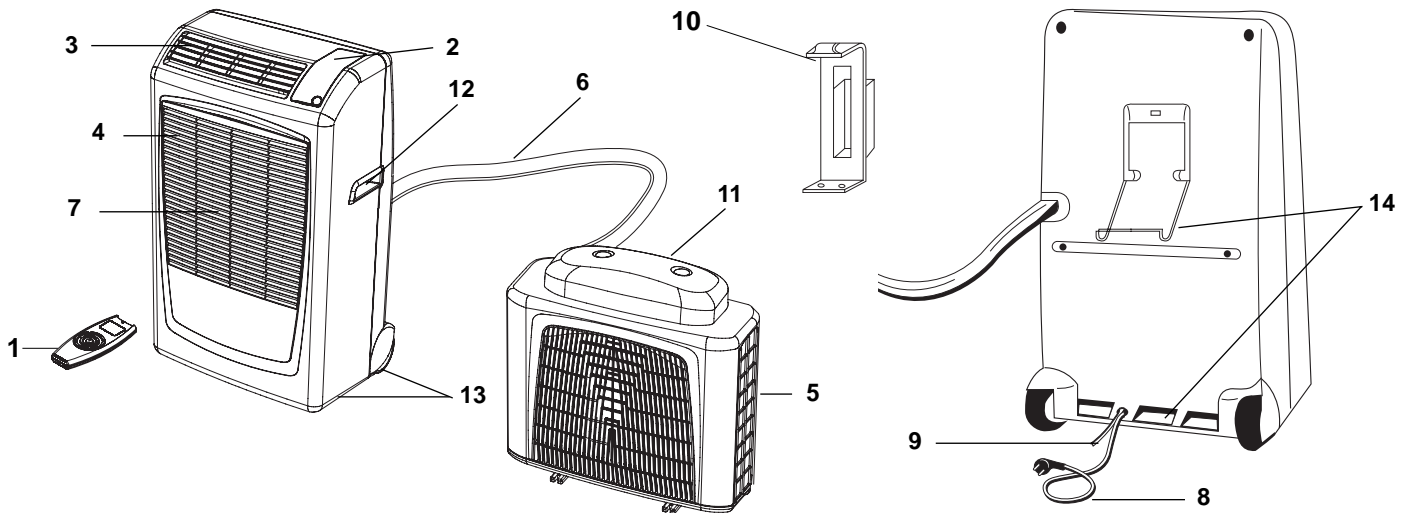
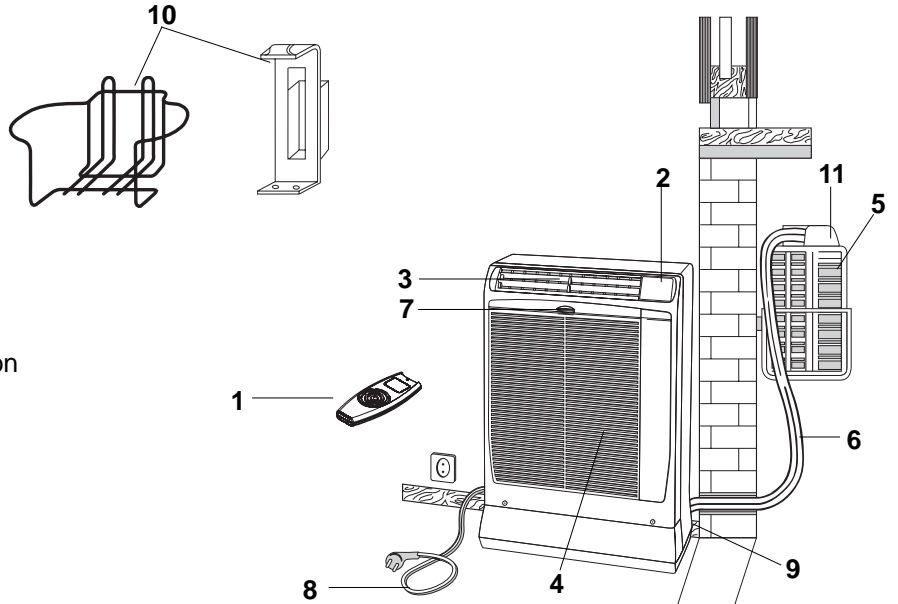
This declaration will become void in case of misuse and/or non observance though partial of manufacturer's installation and/or operating instructions.

OPERATING LIMITS

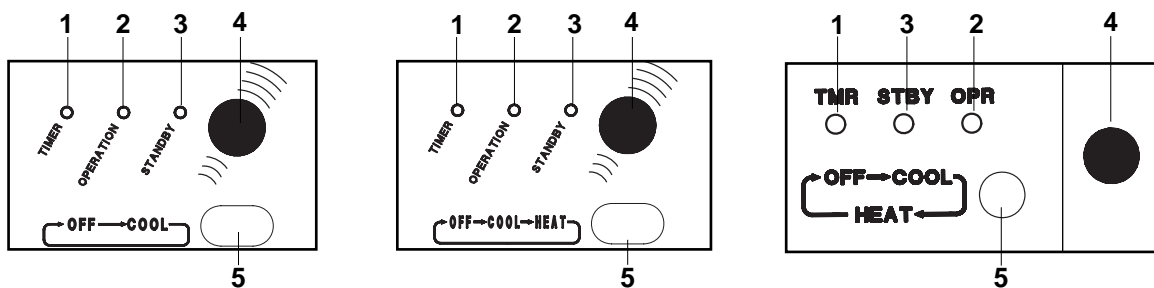
COOLING		
MAXIMUM CONDITIONS	OUTDOOR TEMPERATURE	46°C D.B.
	ROOM TEMPERATURE	32°C D.B./23°C W.B.
MINIMUM CONDITIONS	OUTDOOR TEMPERATURE	19°C D.B.
	ROOM TEMPERATURE	19°C D.B./14°C W.B.
HEATING		
MAXIMUM CONDITIONS	OUTDOOR TEMPERATURE	24°C D.B./18°C W.B.
	ROOM TEMPERATURE	27°C D.B.
MINIMUM CONDITIONS	OUTDOOR TEMPERATURE	-8°C D.B./-9°C W.B.

PRODUCT IDENTIFICATION

1. Infrared rays remote control unit
2. Monitor panel
3. Supply air deflector
4. Return air grille
5. Outdoor unit
6. Flexible tube
7. Air filter
8. Electric cable with plug
9. Service tube for condensate evacuation
10. Outdoor unit basket or support
11. Quick coupling cover
12. Transportation handle (both sides)
13. Transportation wheels
14. Outdoor unit hanger



MONITOR PANEL



1. **TIMER lamp:** This lamp lights up when the system is being controlled by the timer.
2. **OPERATION lamp:** This lamp lights up during operation. It blinks once to announce that the remote control signal has been received and stored.



WATER-LEVEL ALARM

This lamp flashes and the air conditioner simultaneously stops during exceeding condensate drainage or because of malfunctioning of the condensate drainage system.

3. **STANDBY lamp:** this lamp lights up when the air conditioner is connected to the power and ready to receive the remote control command.
4. **Receiver :** receives signals transmitted from the remote control.


5. **Operation button (without remote control):** Push the button to walk through the OFF, COOL and HEAT operation modes.



WARNING

The OFF position does not disconnect the power. Use the main power switch to turn off power completely.

NOTE

The blinking of OPERATION, TIMER and STANDBY lamps, indicates that the operating mode selected () is not compatible with the unit. If this happens the air conditioner does not operate until the correct mode is selected.

INSTALLATION LOCATION



WARNING

- Do not install this air conditioner where there are fumes or flammable gases, or in an extremely humid space such as a green house.
- Do not install the air conditioner where excessively high heat-generating objects are placed.
- Do not install the air conditioner where the atmosphere is extremely damp or humid (e.g. greenhouse or laundry) it could be wetted by drops of water (i.e. in laundries).

Avoid:

To protect the air conditioner from heavy corrosion, avoid installing the outdoor unit where salty sea water can splash directly onto it or in sulphurous air near a spa.

- Make sure that there are no obstacles around the indoor unit affecting the free circulation of air. Do not block the air intake and outlet of the unit with curtains or other. Never put objects on the top of the unit.

ELECTRICAL REQUIREMENTS

Before using the appliance

- Check that the power supply at the location where the air conditioner is going to be used is 220/240 volt, single phase.
- The electrical connection of the unit is X type with cable prepared in a special way; in case you should notice any damage due to usage, call the nearest After Sale Service to get the cable replaced.
- Before connecting the air conditioner to a power socket, make sure that the socket is provided with an earth connection.
- Verify that the available power supply is sufficient for running other electrical domestic appliances in use simultaneously from the same supply. See the data plate on the unit showing the max. absorbed powers.
- Install a double - pole switch, protected fuses of the delayed type, upstream the electricity wall socket 10A.

IMPORTANT ADVICE

INDOOR UNIT (ONLY FOR THE MODEL IN THE FIGURE)

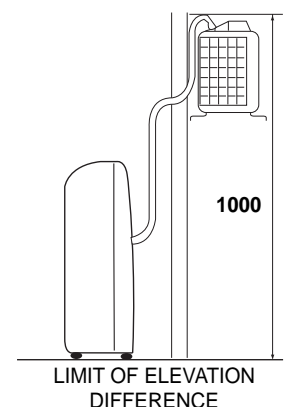
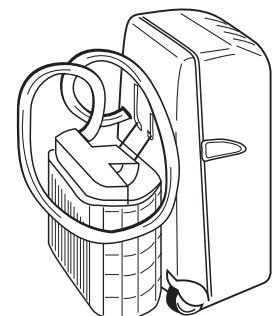
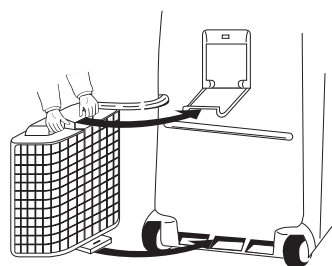
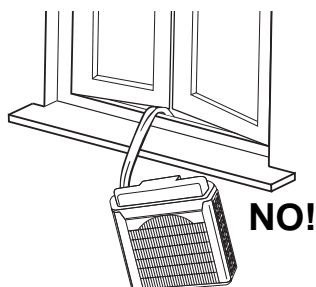
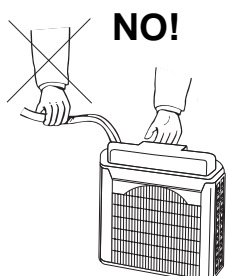
1. When you move the air conditioner around your house, hang the outdoor unit to the rear of the indoor unit. Be careful not to twist nor kink the flexible tube.

OUTDOOR UNIT

1. When you move the outdoor unit, always hold it by the handle, never pull it by the flexible tube.

2. Never let the outdoor unit hang on the flexible tube.

3. When you recover the outdoor unit after operation, drain away any remaining condensate by tilting the unit.



- Make sure that circuit breakers, fuses, etc. are of sufficient capacity to handle start - up current (normally for no longer than a second).
- All wiring must conform to the local electrical codes. Consult your dealer or a qualified electrician for details.

WARNING!

The air conditioner is provided with a time-guard system, which does not allow re-starting of compressor until after 3 minutes from a previous stop.

SAFETY INSTRUCTIONS

- Read this booklet carefully before using this air conditioner. If you still have any difficulties or problems, consult your dealer for help.
- This air conditioner is designed to give you comfortable room conditions. Use this only for its intended purpose as described in this Instruction Manual.



WARNING

- Never use or store gasoline or other flammable vapour or liquid near the air conditioner. It is very dangerous. Moreover, never install electrical equipment, which is not protected with IPX1 protection (protection against vertical water drop), under the unit.
- The manufacturer assumes no responsibilities if the safety regulations or local codes are not observed.

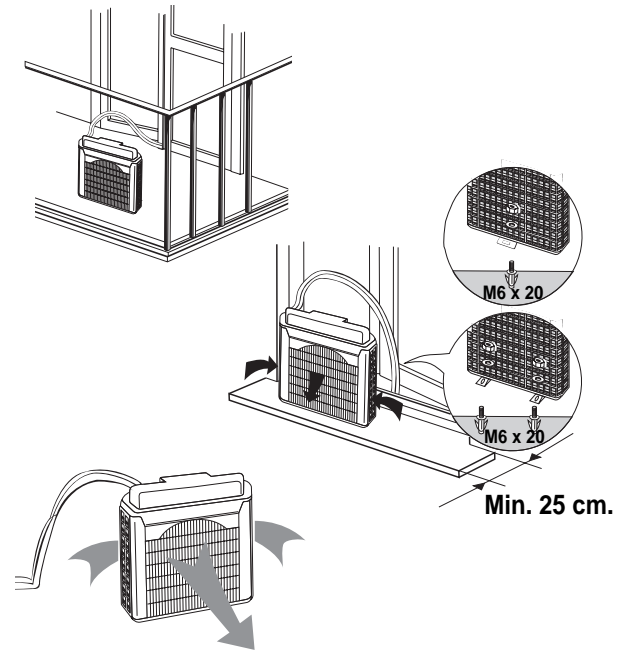


CAUTION

- Never use neither the power main switch or the power plug to start or stop the air conditioner. Always use the ON/OFF button.
- Do not stick anything into the air outlet of the air conditioner. This is dangerous because the fan is rotating at high speed.
- Do not let children play with the air conditioner.
- Do not cool the room too much if babies or invalids are present.

AIR CONDITIONER INSTALLATION

The air conditioner is made of two units interconnected by a flexible tube. The indoor unit must be placed in the room to be air conditioned, near a window, a balcony-door or a perimeter wall. The outdoor unit, that provides to the disposal of heat and condensation, must be located outside, on a window sill, on a balcony or hanged to the wall.



TYPE A

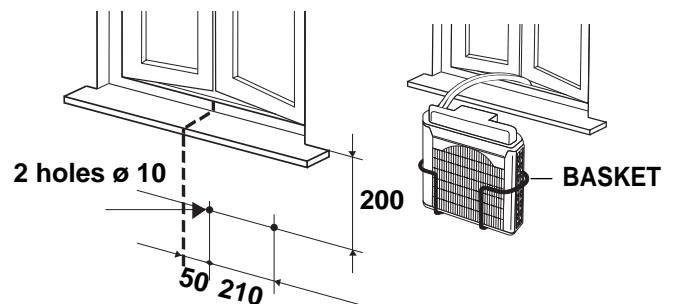
POSITIONING OF OUTDOOR UNIT

The outdoor unit must always be kept in vertical position and levelled. Make sure that there are no obstacles around the unit affecting the free circulation of air. A lug at the rear bottom of the unit ensures the minimum distance from the wall (3 cm). The unit must be kept at a minimum distance of cm. 15 (sidewise) and cm. 80 (frontally) from any walls.

INSTALLATION TYPE A

If your room has a balcony or a window-sill of sufficient depth (min. 25 cm) you may rest the unit freely onto it. For safety's sake, you may anchor the unit to the window-sill using one M6 x 20 expansion bolt in the slot of the lug at the rear bottom of the unit.

The flexible tube may easily pass through the balcony door or window shutters set ajar.



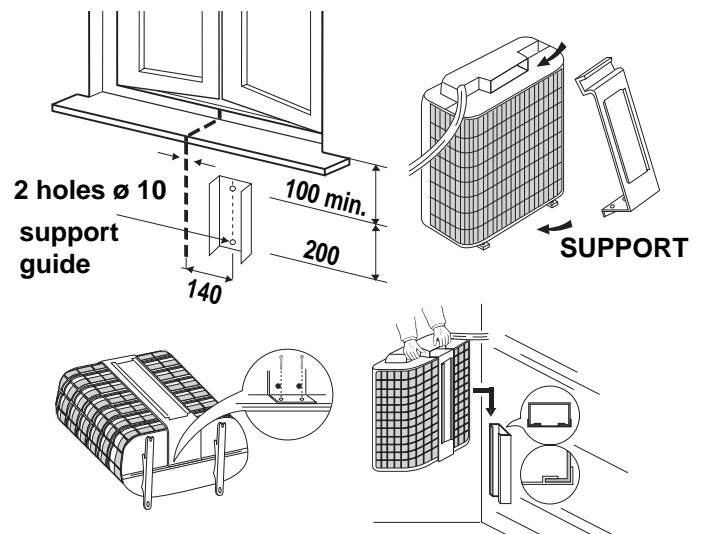
TYPE B

INSTALLATION TYPE B (USING THE BASKET)

1. Fix the basket to the wall below the window sill.
2. Place the unit in the basket and check that it is levelled.

INSTALLATION TYPE C (USING THE SUPPORT)

1. Fix the support guide to the wall below the window sill.
2. Insert the support in the handle of outdoor unit, and turn the outdoor unit upside down as shown in the picture.
3. Place the support and secure it at the edge of the unit, using the screws.
4. Insert the support, fixed on the unit, at the guide fixed to the wall. Make sure it is levelled.

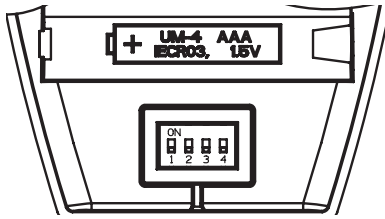


TYPE C

USING THE REMOTE CONTROL UNIT

HOW TO INSTALL BATTERIES

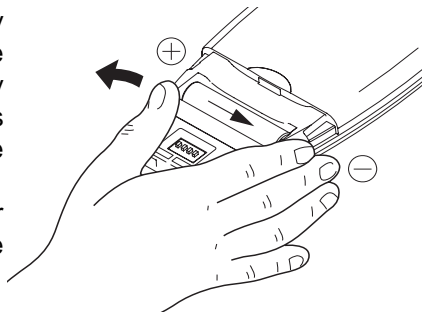
- Remove the lid in the rear part of the remote control unit and check that DIP SWITCH is set as shown in the picture:



- Insert two AAA alkaline batteries of 1,5 V-DC making sure that point in the direction marked in the battery compartment. The displayed time flashes. Press the SEL TYPE button. Remote controller is now ready for operation.
- The batteries last about six months. Depending on how much you use the remote control unit. Remove the batteries if you do not use the remote control unit for more than one month. Replace the batteries when the remote control unit lamp fails to light, or when the air conditioner does not receive the remote control unit signals.
- The batteries of the remote control contain polluted substances exhausted batteries must be disposed according to the laws in force.

HOW TO REMOVE BATTERIES

- Remove the lid.
- Press the battery toward the negative end and lift it out by its positive end (as shown in the figure).
- Remove the other battery in the same way.



TEMPERATURE SENSOR SELECTOR

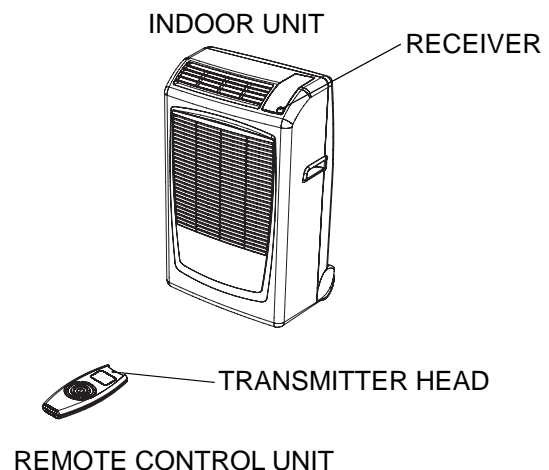
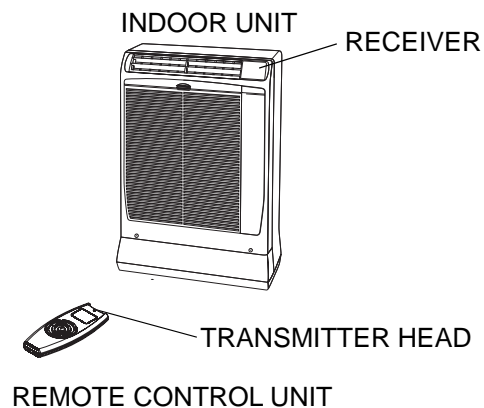
- Under normal conditions the room temperature is detected and checked by the temperature sensor placed in the remote controller (I FEEL icon displayed). This function is designed to provide a personalised environment by transmitting the temperature control command from the location next to you. Therefore, when using this option, the remote control should always be aimed, without obstruction, at the air conditioner.
- It is possible to disable the remote controller room sensor pressing the I FEEL button. In this case the I FEEL icon on the remote controller display lights off and the sensor placed in the air conditioner becomes active.

NOTE

The remote control unit sends the temperature signal at any key pressing and automatically every five minutes. If, due to some troubles, the signal from the remote is no longer detected, the air conditioner keeps operating using the temperature sensor of the indoor unit to control the room temperature. In this case, the temperature around the remote control unit may differ from the temperature detected in the air conditioner position.

OPERATION WITH THE REMOTE CONTROL UNIT

When using the remote control unit, always point the unit transmitter head directly at the air conditioner receiver.



REMOTE CONTROL UNIT

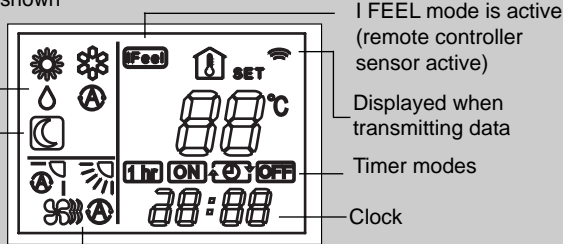
DISPLAY

Information is displayed when the remote controller is switched on. If switched off, only the operating mode, the room temperature and the clock are shown

Operation mode

- Automatic
- Cooling
- Heating
- Dehumidification
- Fan

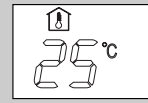
Night mode



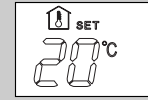
Fan speed

- Automatic
- High speed
- Medium speed
- Low speed

Room temperature



Set point temperature



SENSOR

A temperature sensor inside the remote control unit detects the room temperature.

TRANSMITTER

When you press the buttons of the remote control unit, the mark appears on the display to transmit the setting changes to the receiver in the air conditioner.

TEMPERATURE SENSOR SELECTOR

Press the I FEEL button to modify the active setting for room temperature detection (from remote controller to air conditioner and viceversa)

TEMPERATURE SETTING BUTTONS

TEMP - (cooler)

Press this button to decrease the set temperature.

TEMP + (warmer)

Press this button to increase the set temperature.

INACTIVE BUTTONS

ON/OFF BUTTON

This button turns the air conditioner ON and OFF.

"SEL TYPE" BUTTON

Press this button in order to:

- set the clock
- set the ON/OFF timer

For details refer to paragraphs "SETTING THE HOUR" and "SETTING THE TIMER".

"FAN" BUTTON

Fan speed is automatically selected by the microcomputer.

- High speed.
- Medium speed.
- Low speed.

TIMER AND PRESENT TIME SETTING BUTTONS

With these buttons is possible to set the clock and the timer. For details refer to paragraphs "SETTING THE HOUR" and "SETTING THE TIMER2".

"NIGHT" BUTTON

For details, see "NIGHT MODE".

When you press this button in the COOL, HEAT or DRY mode, the mark appears on the display and the microcomputer in the remote control unit will adjust the set temperature to save energy.

"TIMER SEL" BUTTON

Premendo il pulsante sul display viene attivata la procedura per l'impostazione del timer. Per dettagli vedere esempio "REGOLAZIONE DEL TIMER".

MODE SELECTOR BUTTON

Press this button to modify the air conditioner mode.

(automatic) ★

When this setting is selected, the air conditioner calculates the difference between the thermostat setting and the room temperature and automatically switches to the "cool" or "heat" mode.

(heating) ★

The air conditioner makes the room warmer.

(dry)

The air conditioner reduces the humidity in the room.

(cooling)

The air conditioner makes the room cooler.

(fan)

The air conditioner works only as a circulation fan.

★ Available only for models

COOL / DRY / HEAT / FAN


HOW TO SET THE PRESENT TIME

1. Press the button SEL TYPE three times.
The time indication alone flashes.
2. Press the SET H button until the present time hour is displayed.
Press the SET M button until the present time minutes are displayed. The display will automatically stop flashing.

COOLING

NOTE

Verify that the unit is connected to the main power and the STANDBY lamp is light up.

1. Set the MODE selector to COOL .
2. Press the ON/OFF button and switch the air conditioner ON.
3. Press the TEMP. buttons to set the desired temperature (the temperature range is between 32 °C max. and 16 °C min.).




THE DISPLAY SHOWS THE SELECTED TEMPERATURE.



AFTER 5 SECONDS FROM THE REQUIRED TEMPERATURE SETTING THE DISPLAY WILL SHOW THE ROOM TEMPERATURE AGAIN.

4. Press the FAN button to select the fan speed.

HEATING

1. Set the MODE selector to HEAT .
2. Press the ON/OFF button and switch the air conditioner ON.
3. Press the TEMP. buttons to set the desired temperature (the temperature range is between 32 °C max. and 16 °C min.).



THE DISPLAY SHOWS THE SELECTED TEMPERATURE.



AFTER 5 SECONDS FROM THE REQUIRED TEMPERATURE SETTING THE DISPLAY WILL SHOW THE ROOM TEMPERATURE AGAIN.

4. Press the FAN button to select the fan speed.

NOTE

For several minutes after the start of heating operation, the indoor fan will stop until the indoor heat exchanger coil has warmed up sufficiently. This is because the COLD DRAFT PREVENTION SYSTEM is operating. During this period, the STANDBY lamp remains lit.


DEFROSTING OF HEAT EXCHANGER OUTDOOR UNIT "STANDBY"

When the outdoor temperature is low, frost or ice may appear on the heat exchanger coil, reducing the heating performance. When this happens, a microcomputer defrosting system operates. At the same time, the fan in the indoor unit stops and the STANDBY lamp remains lit until defrosting is completed. Heating operation restarts after several minutes. (This interval will vary slightly depending on the room and outdoor temperature).

HEATING PERFORMANCE

A heat pump conditioner heats a room by taking heat from outside air. The heating efficiency will fall off when the outdoor temperature is very low. If enough heat is not obtained with this air conditioner, use another heating appliance in conjunction with it.

AUTOMATIC OPERATION

1. Set the MODE selector to AUTO .
2. Press the ON/OFF button and switch the air conditioner ON.
3. Press the TEMP. buttons to set the desired temperature (the temperature range is between 32 °C max. and 16 °C min.).




THE DISPLAY SHOWS THE SELECTED TEMPERATURE.

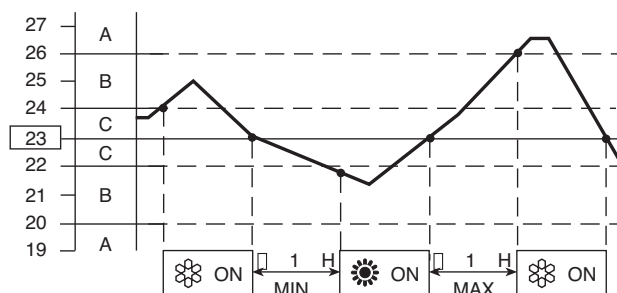


AFTER 5 SECONDS FROM THE REQUIRED TEMPERATURE SETTING THE DISPLAY WILL SHOW THE ROOM TEMPERATURE AGAIN.

When this setting is selected, the air conditioner calculates the difference between the thermostat setting and the room temperature and automatically switches to the COOL or HEAT mode as appropriate.

4. Press the FAN selector button to the setting you want.

Example of operation diagram in the  (Auto) mode with the set room temperature at 23°C.



NOTE

The air conditioner changes the operation mode (from cool to heat or vice versa, if one of the following conditions occurs:

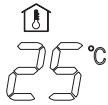
- **ZONE A:** changes if the difference between the room temperature and the temperature set on the remote control unit is at least 3°C.
- **ZONE B:** changes if the difference between the room temperature and the temperature set on the remote control unit is at least 1°C, one hour after the compressor stop.
- **ZONE C:** never changes if the difference between the room temperature and the temperature set on the remote control unit is no more than 1°C.

DEHUMIDIFYING (DRY)

1. Set the MODE button to DRY. The icon \triangle is displayed.
2. Press the ON/OFF button and switch the air conditioner ON.
3. Press the TEMP. buttons to set the desired temperature (the temperature range is between 32 °C max. and 16 °C min.).



THE DISPLAY SHOWS THE SELECTED TEMPERATURE.



AFTER 5 SECONDS FROM THE REQUIRED TEMPERATURE SETTING THE DISPLAY WILL SHOW THE ROOM TEMPERATURE AGAIN.

NOTE

- Use DRY operation when you want to reduce the humidity in the room.
- Once the room temperature reaches the set level, the unit repeats the cycle of turning on and off automatically.
- During DRY operation, the fan speed is automatically set to fan icon with A or stops to prevent overcooling.
- Dry operation is not possible if the indoor temperature is 15 °C or less.

FAN ONLY

If you want to make air circulate without any temperature control, follow these steps:

1. Press the ON/OFF operation button and switch the air conditioner ON.
2. Press MODE button until only the fan icon fan sign appears on the display.

ADJUSTING THE FAN SPEED

AUTOMATIC

Simply set the FAN selector to the fan icon with A position. A microcomputer automatically controls the fan speed when the AUTO mode is selected. When the air conditioner starts operating, the difference between the room temperature and the set temperature is detected by the microcomputer which then automatically switches the fan speed to the most suitable level.

WHEN DIFFERENCE BETWEEN ROOM TEMPERATURE AND SET TEMPERATURE IS	FAN SPEED	
Cooling and dehumidifying modes:	2 °C and over	High
	Between 2 and 1 °C	Medium
	Below 1 °C	Low
Heating mode:	2 °C and over	High
	Below 2 °C	Medium

NOTE

The above mentioned data make reference to the conditioner operating when the sensor on the remote control unit is ON. (Refer to temperature sensor selector). If the sensor on the indoor unit is being used then actual operation will slightly differ from that described in the above tables. The automatic speed is not active in FAN ONLY mode.

MANUAL

If you want to manually adjust speed just set the FAN selector as desired.

fan icon High speed fan icon with A Med. speed fan icon with B Low speed

NIGHT MODE

- The NIGHT mode enables you to save energy.
1. Set the MODE selector to cool, dry or heat.
 2. Press the NIGHT button.
 3. The moon icon mark appears on the display. Press the NIGHT button again to release the NIGHT function.

What does the NIGHT mode mean?

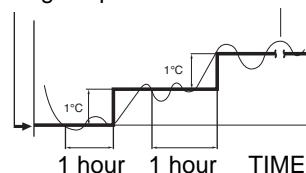
In this mode, the air conditioner will cool or heat the room to the set temperature, and then the thermostat will make the unit pause. After about 1 hour, the air conditioner will automatically reset the set temperature as follows (also refer to graphs).

OPERATING MODE	SET TEMPERATURE CHANGE
Heating	Lowered by 1 °C
Cooling and Dehumidifying	Raised by 1 °C

When the room temperature reaches the new set value, the thermostat will cause the unit to pause. After about 1 hour the temperature will be raised by 1 °C in cooling, or lowered by 1 °C in heating. This enables you to save energy without sacrificing your comfort.

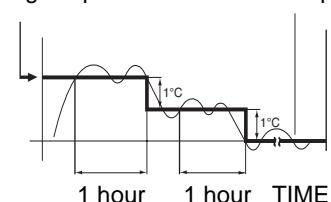
COOLING AND DEHUMIDIFYING

Setting temperature Room temperature



HEATING

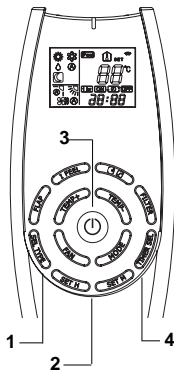
Setting temperature Room temperature



SETTING THE TIMER

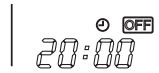
A) HOW TO SET THE ON TIME

1. Press the SEL TYPE button once.
The ON and time indications flash.
2. Press the SET H button until the designed hour is displayed.
Press the SET M button until the designed minutes are displayed. The display will change automatically back to show the present time after 10 sec.
3. Press the ON/OFF button to start the air conditioner.
4. Press the TIMER SEL button to activate the ON timer.



B) HOW TO SET THE OFF TIME

1. Press the SEL TYPE button twice.
The OFF and time indications flash.
2. Press the SET H button until the designed hour is displayed.
Press the SET M button until the designed minutes are displayed. The display will change automatically back to show the present time after 10 sec.
3. Press the ON/OFF button to start the air conditioner.
4. Press the TIMER SEL button two times to activate the OFF timer.



C) HOW TO SET A PROGRAM FOR DAILY ON/OFF OPERATION (OR VICEVERSA)

1. Set the timer ON/OFF as shown in A) and B).
2. Press the ON/OFF button to start the air conditioner.
3. Press three times the TIMER SELECT button to activate the DAILY timer.



NOTE

After timer setting, press PROGRAM button in order to check the ON/OFF setting time.

SETTING THE 1 HOUR TIMER

This function causes the unit to operate for one hour at the set conditions, regardless of whether the unit is on or off.

TIMER SETTING PROCEDURE.

- Press four times the TIMER SEL button. The 1 HOUR TIMER mark will appear on the display.



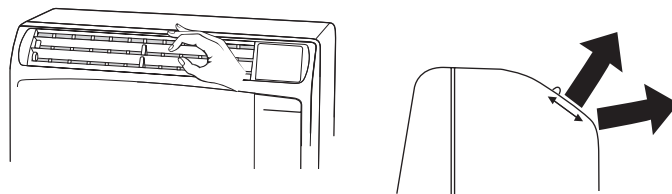
CANCELLATION PROCEDURE

- Press the ON/OFF button to turn the air conditioner off.
- Wait for the indoor unit to stop operating.
- Press the ON/OFF button again to turn the air conditioner on.

ADJUSTING THE AIR FLOW DIRECTION

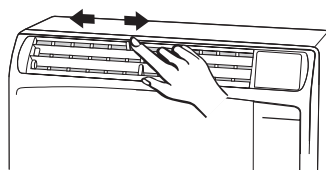
VERTICAL

Hold the end of the flap and move it up and down to adjust the vertical air flow.



HORIZONTAL

The horizontal air flow can be adjusted by moving the vertical blades to the left or right, as indicated in the following figure.



CAUTION

Set vertical blades to the front position during COOLING/DRY operation if humidity is high. If the vertical blades are set to the left-most or right-most position, condensation will form around the air outlet and drip off.

OPERATION WITHOUT THE REMOTE CONTROL UNIT

If you have lost the remote control unit or it has troubles, follow the steps below.

1. WHEN THE AIR CONDITIONER IS STOPPED

If you want to turn on the air conditioner push the OPERATION BUTTON to select the desired mode:

- COOL or HEAT for heat pump models
- COOL for cooling only models

NOTE

The air conditioner will start in HIGH fan speed. The temperature setting is 25°C for cooling mode and 21°C for heating mode.

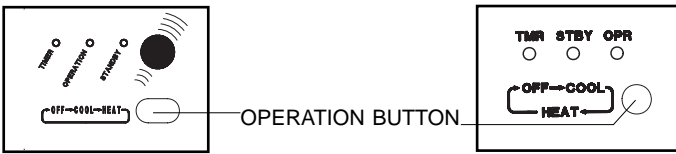
2. WHEN THE AIR CONDITIONER IS RUNNING

If you want to turn off the air conditioner push the OPERATION BUTTON until the OPERATION lamp is turned off.

NOTE

Power failure during operation.

In the event of power failure, the unit will stop. When the power is resumed, the unit automatically restarts after 3 minutes.



CARE AND CLEANING

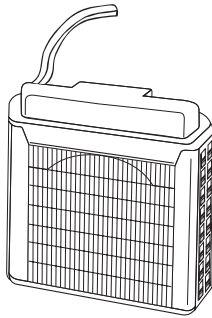


CAUTION

For safety, be sure to turn the air conditioner off and also to disconnect the power before cleaning.

OUTDOOR UNIT (CASING AND CONDENSING COIL)

- Some metal edges and the condenser fins are sharp and may cause injury if handled improperly; special care should be taken when you clean these parts.
- Periodically check the outdoor unit to see if the air outlet or air intake are clogged up with dirt or soot.
- The condenser and other components of the outdoor unit must be cleaned periodically. Consult your DEALER or AFTER SALES SERVICE.

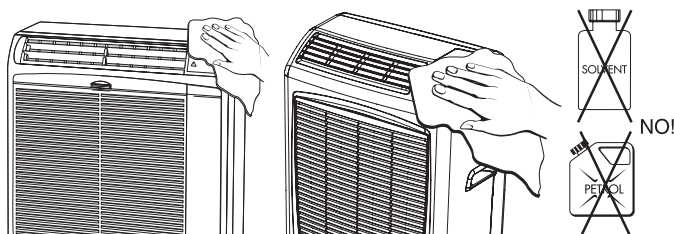


INDOOR UNIT

- Do not pour water on the unit to clean it. This will damage the internal components and cause an electric shock hazard.
- Never use solvents, or chemical agents when cleaning the indoor unit. Do not wipe the plastic casing using very hot water.

Casing and Grille

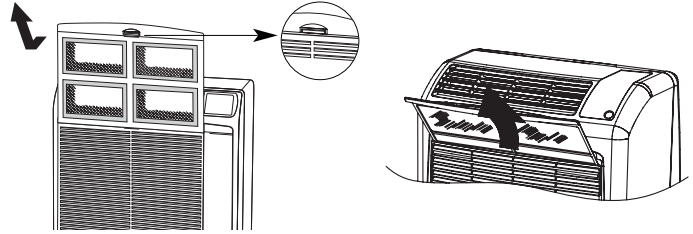
Clean the casing and grille of the indoor unit with a vacuum cleaner brush, or wipe them with a clean, soft cloth. If these parts are stained, use a clean cloth moistened with a mild liquid detergent. When cleaning the grille, be careful not to force the blades out of place.



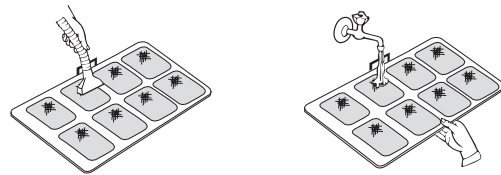
AIR FILTER

The air filter must be checked at least once every two weeks operation. Operation with a dirty filter always causes a lower efficiency of the air conditioner and severe product damage. The filter is located at the back of the intake grille in the front of the air-conditioner and shall be removed from the upper side of the unit.

HOW TO REMOVE THE FILTER



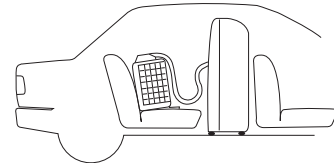
FILTER CLEANING



Use a vacuum cleaner to remove light dust. If there is sticky dust on the filter, wash the filter in lukewarm, soapy water, rinse it in clean water, and dry it.

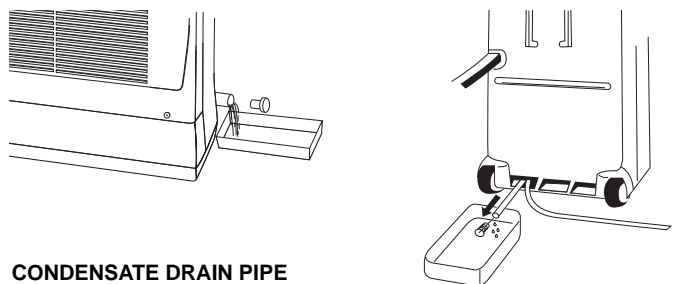
TRANSPORT

Preferably keep the air conditioner in the vertical position during transportation. If this is not possible, then lay it on one side; when at destination put the air conditioner back in the vertical position and wait at least 10 minutes before using it for cooling.



STORAGE

If you are not going to use the air-conditioner for a long period, clean the air filters, evacuate the condensate from the indoor unit through the drain hose at the unit back side. Do not disconnect the flexible tube, unless you are obliged to do it: in that case protect the open halves of the couplings with the plugs supplied as accessories, that must be tightened with a spanner. Do not put heavy objects on the top of the unit, and protect it with a cloth or a plastic bag.

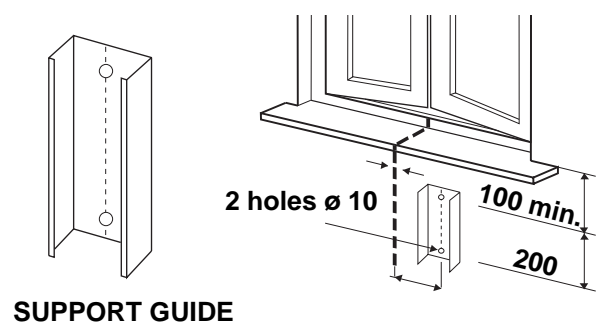
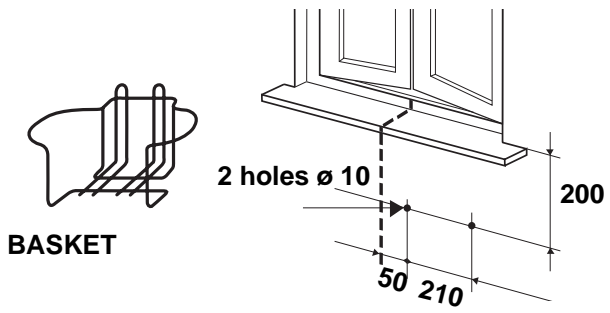


ACCESSORIES (SUPPLIED ON REQUEST)

SUPPLEMENTARY BASKET OR SUPPORT GUIDE KIT FOR OUTDOOR UNIT

If you want to utilise the air conditioner in several rooms, it is possible to buy various baskets or support guides for the installation of outdoor unit.

EG



TIPS FOR ENERGY SAVING

DO NOT:

- Block the air intake and outlet of the unit. If they are obstructed, the unit will not work well, and may be damaged.
- Let direct sunlight into the room. Use sunshades, blind or curtain.

DO:

- Always try to keep the air filter clean. A clogged filter will impair the performance of the unit.
- To prevent conditioned air from escaping, keep windows, doors and any other openings closed.

TROUBLESHOOTING



WARNING

- The use of portable telephones near the air-conditioner may cause disturbance to its normal operation and must be avoided. In case abnormal operation is noticed, (OPERATION lamp lights but outdoor unit will not run) to restore normal operation turn-off electric supply for 60 seconds at least, by disconnecting the main switch or the wall plug, then start again the air-conditioner.
- The blinking OPERATION lamp, together with the stop of the air conditioner for a short time are due to the exceeding condensate drainage.

If the OPERATION lamp goes on blinking and the air conditioner definitely stops means that the condensate pump is not working or that the condensate drain pipe in the flexible connection pipe is obstructed; in this case contact the AFTER SALE SERVICE.

In case of emergency the air conditioner can work by draining the condensate from the back little pipe into a rather short container: extract the little pipe and remove the cap.

- If your air conditioner does not work properly, first check the following points before requesting service. If it still does not work properly, contact your dealer or service center.

Trouble: the air conditioner does not run at all.

Possible cause:

1. Power failure.
2. Leakage breaker tripped.
3. Line voltage is too low.
4. Operation button is OFF.
5. Batteries in remote control unit have run down.

Remedy:

1. Restore power.
2. Contact service center.
3. Consult your electrician or dealer.
4. Press the button again.
5. Replace batteries.

Trouble: The air conditioner **does not operate** and STANDBY lamp flashes.

Possible cause:

1. Air conditioner room sensor defective.

Remedy:

1. Contact service centre.

Trouble: STANDBY and OPERATION lamps flash and the air conditioner does not operate.

Possible cause:

1. Air conditioner coil sensor defective.

Remedy:

1. Contact service centre.

Trouble: Compressor runs but soon stops.

Possible cause:

1. Obstruction in front of condenser coil.

Remedy:

1. Remove obstruction.

Trouble: Poor cooling or heating performance.

Possible cause:

1. Dirty or clogged air filter.
2. Heat source or many people in room.
3. Doors and/or windows are open.
4. Obstacle near air intake or air discharge port.
5. Thermostat is set too high (for cooling) or too low (for heating).
6. Outdoor temperature is too low (heat pump version).
7. Defrosting system does not work (heat pump version).

Remedy:

1. Clean air filter to improve airflow.
2. Eliminate heat source if possible.
3. Shut them to keep the heat or cold out.
4. Remove it to ensure good airflow.
5. Set the temperature lower (or higher).
6. Try to use a back-up heater (heat pump version).
7. Consult your dealer (heat pump version).

Trouble: Clicking sound is heard from the air conditioner.


Possible cause:

1. In heating or cooling operation, any plastic parts may expand or shrink due to a sudden temperature change. In this event, a clicking sound may occur.

Remedy:

1. This is normal, and the sound will disappear when an even temperature is settled.

NOTE

The blinking of OPERATION, TIMER and STANDBY lamps, indicates that the operating mode selected () is not compatible with the unit. If this happen the air conditioner does not operate until the correct mode is selected.

**Electric wiring diagrams' symbols / Simboli schemi elettrici / Symboles des schemas électriques
Symbole der System-Schaltplanen / Συμβόλων Ηλεκτρικών Διαγράμματα Των Συστημάτων**

SYMBOL	EG	I	F	D	E	GR
PC	CONDENSATE PUMP	POMPA SCARICO CONDENSA	POMPE D'EVACUATION DES CONDENSATS	KONDENSWASSERAUSSASS-PUMPE	BOMBA DE DESCARGA DEL LIQUIDO DE COND.	ΑΝΤΛΙΑ ΑΠΟΣΤΡΑΤΤΙΣΗΣ
CM	COMPRESSOR MOTOR	MOTORE COMPRESSORE	MOTEUR DE COMPRESSEUR	KOMPRESSORMOTOR	MOTOR DEL COMPRESOR	ΣΥΜΠΛΙΣΤΗΣ
C1, 2, 3	CAPACITOR	CONDENSATORE	CONDENSATEUR	KONDENSATOR	CONDENSADOR	ΣΥΜΠΥΚΝΩΤΗΣ
DEF THERMO	DEFROST THERMOSTAT	TERMOSTATO SBRINATORE	THERMOSTAT DE DÉGIVRAGE	ENTFROSTER-THERMOSTAT	TERMOSTATO DE DESCONGELACIÓN	ΘΕΡΜΟΣΤΑΤΗΣ ΑΠΟΥΨΗΣ
IND. U.	INDOOR UNIT	UNITA INTERNA	UNITÉ INTÉRIEURE	INNENEINHEITEN	UNIDADES INTERNAS	ΕΣΩΤΕΡΙΚΕΣ ΜΟΝΑΔΕΣ
OUTD. U.	OUTDOOR UNIT	UNITA ESTERNA	UNITÉ EXTÉRIEURE	AUßENEINHEITEN	UNIDADES EXTERNAS	ΕΞΩΤΕΡΙΚΕΣ ΜΟΝΑΔΕΣ
FMO	OUTDOOR FAN MOTOR	MOTORE ESTERNO VENTOLA	MOTEUR DE VENTILATEUR EXTÉRIEUR	AUSSEN LÜFTERMOTOR	MOTOR EXTERIOR DE LA TURBINA	ΕΞΩΤΕΡΙΚΟΣ ΑΝΕΜΙΣΤΗΡΑΣ
FMI	INDOOR FAN MOTOR	MOTORE INTERNO VENTOLA	MOTEUR DE VENTILATEUR INTÉRIEUR	INNEN LÜFTERMOTOR	MOTOR INTERIOR DE LA TURBINA	ΕΞΩΤΕΡΙΚΟΣ ΑΝΕΜΙΣΤΗΡΑΣ
IND. ASSY	INDICATOR ASSY	GRUPPO INDICATORI	ENSEMBLE INDICATEUR	ANZEIGE-BAUGRUPPE	GRUPPO DE INDICADORES	ΣΕΤ ΕΝΔΕΙΚΤΙΚΟΥ
AL	WATER LEVEL ALARM	SPIAALLAR. LIV. ACQUA	VOYANT D'ALARME DU NIVEAU	WASSERTSAND-NOTANZEIGE	PILOTO ALARMA NIVEL AGUA	ΛΥΧΝΑ ΣΥΝΑΓΕΡΜΟΥ ΕΤΑΘΜΗΣ ΝΕΡΟΥ
NF	NOISE FILTER	FILTRO RUMORE	FILTRE DE BRUIT	LÄRMSCHUTZFILTER	FILTRO DEL RUIDO	ΦΙΛΤΡΟ ΘΟΥΨΟΥ
OLR	OVERLOAD RELAY	RELÉ SOVRACCARICO	RELAIS DE SURCHARGE	ÜBERLASTRELAIS	RELÉ DE SOBRECARGA	ΡΕΛΕ ΥΠΕΡΦΟΡΤΩΣΗΣ
PCB1, 2	CONTROLLER	SCHEDA ELETT	CONTRÔLEUR	STEUERGERÄT.	CONTROLADOR	ΕΛΕΚΤΗΣ
PR	POWER RELAY	RELÉ ALIMENTAZIONE	RELAIS D'ALIMENTATION	LEISTUNGSRELAIS	RELÉ DE ALIMENTACIÓN	ΡΕΛΕ ΙΣΧΥΟΣ
FS	SAFETY FLOAT SWIT.	INT. SICUREZZA A GALL	INTERR. DE SECURITE A FLOTTEUR	SCHWEMM-SCHUTZSCHALTER	INTERR. DE SEGURIDAD DE FLOTADOR	ΔΙΑΚΟΠΤΗΣ ΑΣΦΑΛΕΙΑΣ ΜΕ ΠΛΩΤΗΡΑ
SW ASSY	SWITCH ASSY	GRUPPO INTERRUTTORI	ENSEMBLE INTERRUPTEUR	SCHALTER-BAUGRUPPE	GRUPPO DE INTERRUPTORES	ΣΕΤ ΔΙΑΚΟΠΗΣ
TH1, 2	THERMISTOR	TERMISTORE	THERMISTOR	THERMISTOR	TERMISTOR	ΘΕΡΜΟΣΤΑΤΗΣ
TP	TERMINAL PLATE	PIASTRA TERMINALI	BORNIER	KLEIMMENPLATTE	PLACA DE LOS TERMINALES	ΑΚΡΟΔΕΚΤΗΣ
TR	POWER TRANSFORMER	TRASFORMATORE DI POTENZA	TRANSFORMATEUR DE PUISSANCE	NETZTRANSFORMATOR	TRANSFORMADOR DE POTENCIA	ΜΕΤΑΣΧΗΜΑΤΙΣΤΗΣ ΙΣΧΥΟΣ
20S	4-WAY VALVE	VALVOLA 4 VIE	VANNE 4 VOIES	4 WEG-VENTIL	VALVULA DE 4 VIAS	ΒΑΪΒΛΙΑ 4 ΔΙΕΥΘΥΝΣΕΩΝ
RA	STARTING RELAY	RELÉ AVVIAAMENTO	RELAIS DE MISE EN MARCHÉ	START RELAIS	RELE DE ARRANQUE	ΡΕΛΕ ΕΚΚΙΝΗΣ
LC	CURRENT LIMITER	LIMITATORE CORRENTE	LIMITEUR DE COURANT	STROM BEGRENZER	LIMITADOR DE CORRIENTE	ΡΥΘΜΙΣΤΗΣ ΡΕΥΜΑΤΟΣ
RP	PUMP RELAY	RELÉ POMPA	PUMPE RELAIS	PUMPE RELAIS	RELE BOMBA DE AGUA	ΡΕΛΕ ΑΝΤΛΙΑ

	EG	I	F	D	E	GR
BLK	BLACK	NERO	NOIR	SCHWARZ	NEGRO	ΜΑΥΡΟ
BLU	BLUE	BLU	BLEU	BLAU	AZUL	ΜΠΛΕ
BRN	BROWN	MARRONE	MARRON	BRAUN	MARRON	ΚΑΦΕ
GRN / YEL	GREEN / YELLOW	VERDE / GIALLO	VERT / JAUNE	GRÜN / GELB	VERDE / AMARILLO	ΠΡΑΣΙΝΟ / ΚΙΤΡΙΝΟ
GRY	GREY	GRIGIO	GRIS	GRAU	GRIS	ΓΚΡΙΖΟ
ORG	ORANGE	ARANCIONE	ORANGE	ORANGE	ANARANJADO	ΠΟΡΤΟΚΑΛΙ
PNK	PINK	ROSA	ROSE	ROSA	ROSA	ΡΟΖ
RED	RED	ROSSO	ROUGE	ROT	ROJO	ΚΟΚΚΙΝΟ
VLT	VIOLET	VIOLA	VIOLET	VIOLETT	VIOLETA	ΜΩΒ
WHT	WHITE	BIANCO	BLANC	WEISS	BLANCO	ΑΣΤΙΡΟ
YEL	YELLOW	GIALLO	JAUNE	GELB	AMARILLO	ΚΙΤΡΙΝΟ

Wires color legend
Legenda colori fili elettrici
Légende des couleurs des fils électriques
Beschriftung der Leitungs-Farben
Leyenda de los colores de los cable electricos
Πίνακας χρωμάτων ηλεκτρικών καλωδίων

F-GAS Regulation (EC) No. 842/2006

- EG** Do not vent R410A into atmosphere: R410A is a fluorinated greenhouse gas, covered by Kyoto Protocol, with a Global Warming Potential (GWP) = 1975.
- I** Non disperdere R410A nell'atmosfera: R410A è un gas fluorinato a effetto serra, coperto dal protocollo di Kyoto, con potenziale di riscaldamento globale (GWP) = 1975.
- F** Ne déchargez pas R410A dans l'atmosphère : R410A est un gaz fluoré à effet de serre, couvert par le protocole de Kyoto, avec un potentiel de chauffage global (GWP) = 1975.
- D** Zerstreuen Sie R410A in Atmosphäre nicht: R410A ist ein fluoriertes Gas, abgedeckt durch Kyoto Protokoll, mit einem globalen wärmenden Potential (GWP) = 1975.
- E** No expulsar R410A a la atmósfera: el R410A es un gas fluorado de efecto invernadero, cubierto por el protocolo de Kyoto, con potencial de calentamiento global (GWP) = 1975.
- P** Não exale R410A na atmosfera: R410A é um fluorinated gás, coberto pelo protocolo de Kyoto, com um global Potencial Aquecendo-se (GWP) = 1975.
- GR** Μην αερίστε R410A στην ατμόσφαιρα: R410A είναι ένα φθοριωμένο θερμοκήπιο αέριο, που καλύπτεται από το πρωτόκολλο του Κιότο, με έναν σφαιρικό Δυνατότητα θέρμανσης (GWP) = 1975.

