



Technibel

UNE AVANCE DANS L'AIR DU TEMPS

INSTALLATION INSTRUCTION • ISTRUZIONI D'INSTALLAZIONE • NOTICE D'INSTALLATION
INSTALLATIONSANLEITUNGEN • INSTRUCCIONES DE INSTALACION

OPERATING INSTRUCTION • ISTRUZIONI D'USO • NOTICE D'UTILISATION
BEDIENUNGSANLEITUNGEN • INSTRUCCIONES DE USO

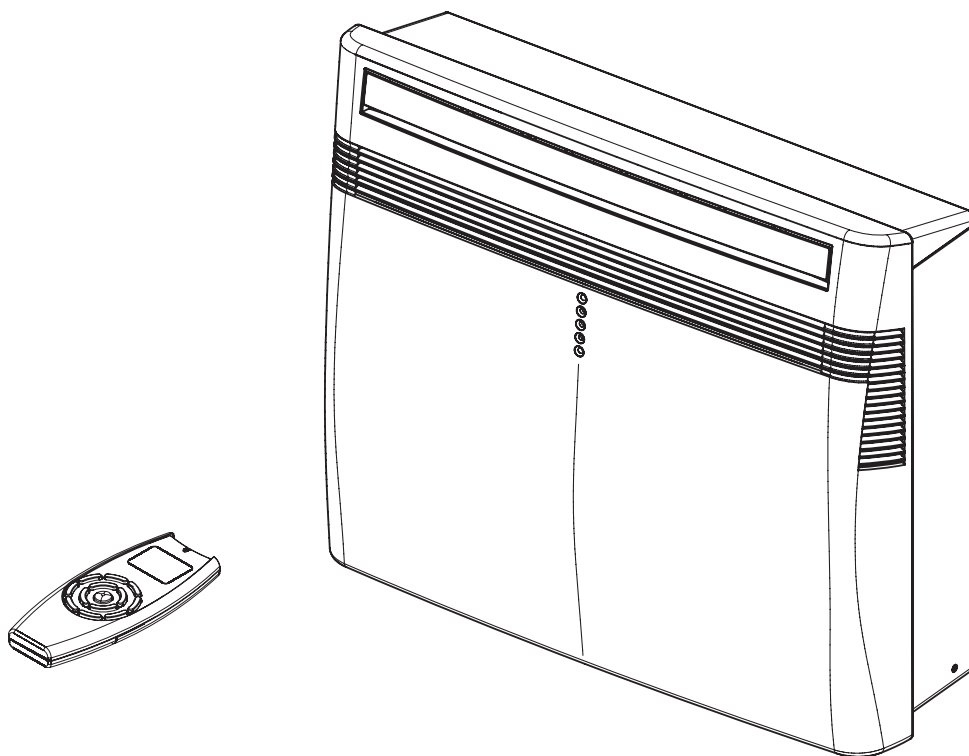
EG

I

F

D

E



COOL / DRY / FAN

REVE 247C

COOL / DRY / HEAT / FAN

REVE 237R

Air conditioner • Climatizzatore d'aria • Climatiseur
Klimagerät • Acondicionador de aire

CONTENTS

PRODUCT IDENTIFICATION	2
SIGNALING LAMPS	2
ACCESSORIES SUPPLIED WITH THE UNIT	3
INSTALLATION	3
BEFORE USING THE APPLIANCE	6
USING THE REMOTE CONTROL UNIT	7
REMOTE CONTROL UNIT	8
HOW TO SET THE PRESENT TIME	9
COOLING	9
HEATING	9
AUTOMATIC OPERATION	9
DEHUMIDIFYING (DRY)	9
FAN ONLY	10
ADJUSTING THE FAN SPEED	10
SLEEP MODE	10
SETTING THE TIMER	11
ADJUSTING THE AIR FLOW DIRECTION	11
OPERATION WITHOUT THE REMOTE CONTROL UNIT	12
TIPS FOR ENERGY SAVING	12
TROUBLESHOOTING	12
HOW TO DISCHARGE THE CONDENSATE WATER	13
BOYLER CONNECTION KIT	14
CARE AND CLEANING	14



INFORMATION FOR CORRECT DISPOSAL OF THE PRODUCT IN ACCORDANCE WITH THE EUROPEAN DIRECTIVE 2002/96/EC

At the end of its working life this equipment must not be disposed of as an household waste.

It must be taken to special local community waste collection centres or to a dealer providing this service.

Disposing of an electrical and electronic equipment and its batteries separately avoids possible negative effects on the environment and human health deriving from an inappropriate disposal and enables its components to be recovered and recycled to obtain significant savings in energy and resources.

In order to underline the duty to dispose of this equipment and batteries separately, the product is marked with a crossed-out dustbin.

EG

PRODUCT INFORMATION

If you have problems or questions concerning your Air Conditioner, you will need the following information. Model and serial numbers are on the nameplate applied on the unit.

Model No. _____

Serial No. _____

Date of purchase _____

Dealer's address _____

Phone number _____

NOTE

This air conditioner is equipped with cooling, drying and fan functions **COOL/DRY/FAN**, cooling, drying, heating and fan functions **COOL/DRY/HEAT/FAN**. Details on these functions are provided here following; refer on these descriptions when using the air conditioner. This product is covered by patent nr. 261412 issued on the 8th of Genuary 2009.

DECLARATION OF CONFORMITY

This product is marked **CE** as it satisfies Directives.

- Low voltage no. 2006/95/CE.
- Electromagnetic compatibly no. 89/336/CEE, 92/31/CEE and 93/68/CEE.

This declaration will become void in case of misusage and/or non observance though partial of Manufacturer's installation and/or operating instructions.

ALERT SYMBOLS

The following symbols used in this manual, alert you to potentially dangerous conditions to users, service personnel or the appliance:



WARNING

This symbol refers to a hazard or unsafe practice which can result in severe personal injury or death.



CAUTION

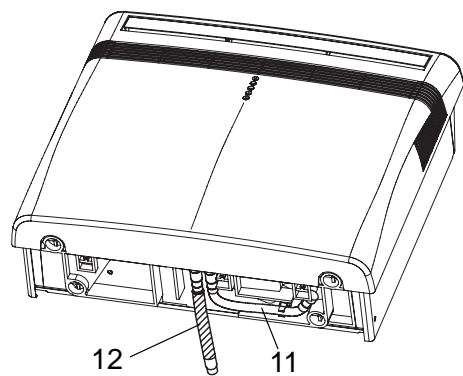
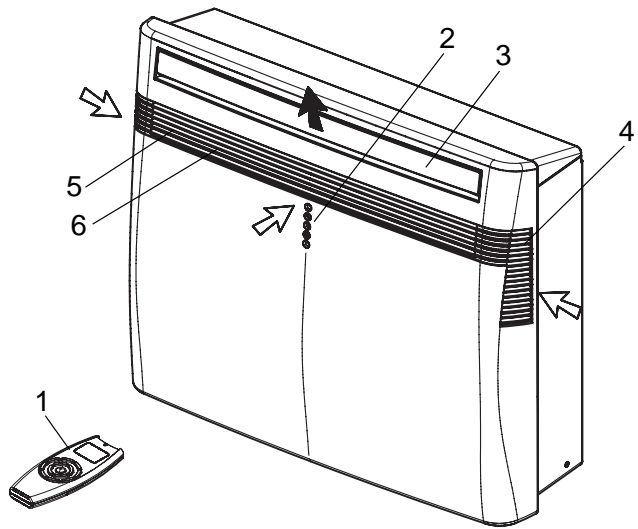
This symbol refers to a hazard or unsafe practice which can result in personal injury or product or property damage.

OPERATING LIMITS

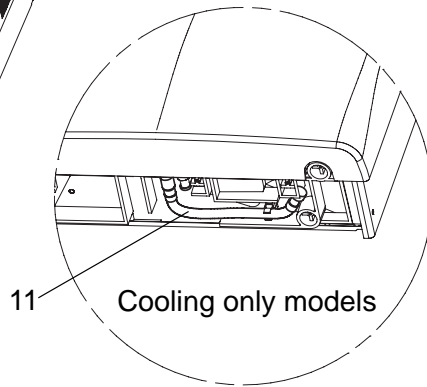
COOLING		
MAXIMUM CONDITIONS	OUTDOOR TEMPERATURE ROOM TEMPERATURE	43°C D.B. 32°C D.B./23°C W.B.
MINIMUM CONDITIONS	OUTDOOR TEMPERATURE ROOM TEMPERATURE	19°C D.B. 19°C D.B./14°C W.B.
HEATING		
MAXIMUM CONDITIONS	OUTDOOR TEMPERATURE ROOM TEMPERATURE	24°C D.B./18°C W.B. 27°C D.B.
MINIMUM CONDITIONS	OUTDOOR TEMPERATURE ROOM TEMPERATURE	-8°C D.B./-9°C W.B. -
DEHUMIDIFYING (DRY)		
MAXIMUM CONDITIONS	OUTDOOR TEMPERATURE ROOM TEMPERATURE	43°C B.S. 32°C B.S. / 80% R.H.
MINIMUM CONDITIONS	OUTDOOR TEMPERATURE ROOM TEMPERATURE	16°C B.S. 16°C B.S. / 80% R.H.

PRODUCT IDENTIFICATION

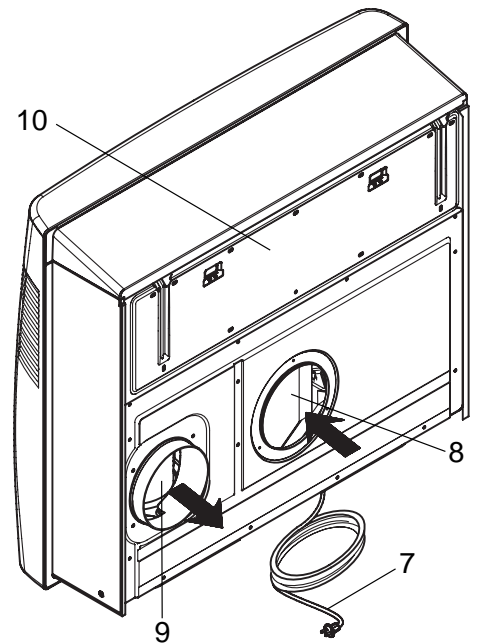
1. Wireless remote control unit
2. Signaling lamps
3. Supply air deflector
4. Lateral air intake grilles
5. Front air intake grille
6. Air filter
7. Electric cable with plug
8. Air inlet hole
9. Air outlet fan
10. Suspension panel
11. Service tube for condensate discharge
12. Tube for condensate discharge (heat pump models)



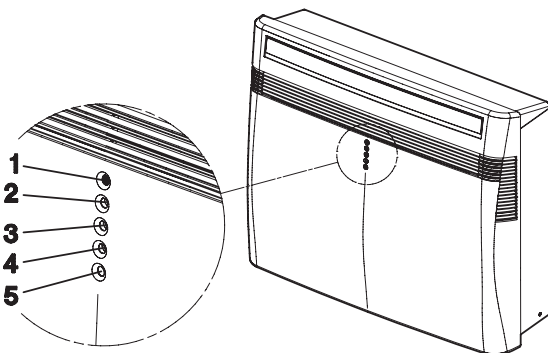
Heat pump models



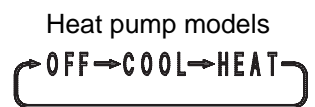
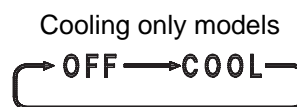
Cooling only models



SIGNALING LAMPS



1. **Receiver** : receives signals transmitted from the remote control.
2. **Timer lamp**: This lamp lights up when the system is being controlled by the timer.
3. **Standby lamp**: This lamp lights up when the air conditioner is connected to the power and ready to receive the remote control command.
4. **Operation lamp**: This lamp lights up during operation. It blinks once to announce that the remote control signal has been received and stored. It blinks continuously during the protection modes (defrosting, etc.).
5. **Operation button (without remote control)**: Push the button to change from one operation mode to the other as shown here following.



NOTE

The blinking of **OPERATION**, **TIMER** and **STANDBY** lamps, indicates that the operating mode selected (Ⓐ ☀) is not compatible with the unit. If this happens the air conditioner does not operate until the correct mode is selected.

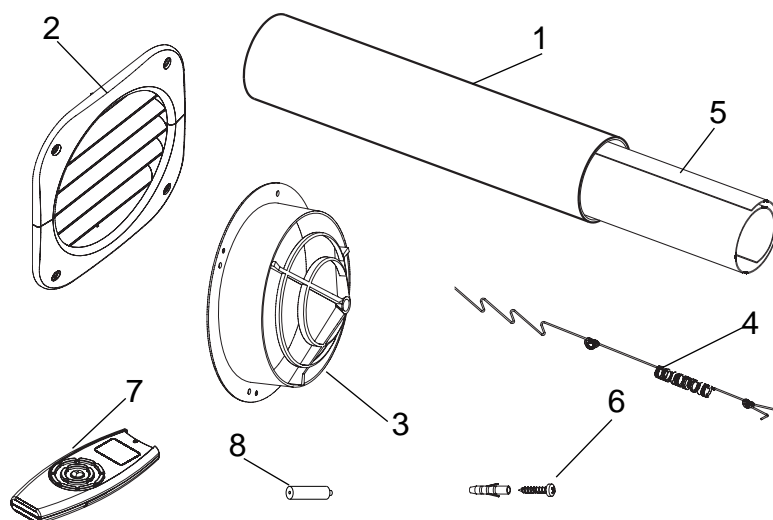


WARNING

The **OFF** position does not disconnect the power. Use the main power switch to turn off power completely.

ACCESSORIES SUPPLIED WITH THE UNIT

1. PLASTIC TUBE (1pcs.)
2. EXTERNAL GRILLES (2pcs.)
3. INTERNAL GRILLES (2pcs.)
4. TENSION BARS (2pcs.)
5. FULL SCALE DIAGRAM (1pcs.)
6. RAWL PLUGS + SCREWS (15pcs.)
7. REMOTE CONTROL UNIT (1pcs.)
8. BATTERIES FOR REMOTE CONTROL (2pcs.)

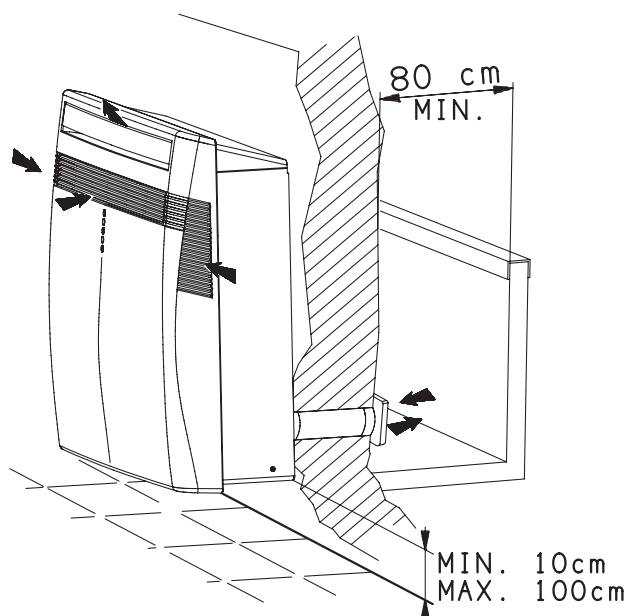


INSTALLATION

The installation should be carried out by a qualified installer, following the instructions as shown.

INSTALLATION SITE SELECTION

- In case you should replace a radiator in an already existing heating system, follow the instruction of the boiler connection kit
- The wall must be a perimeter one.
- Fix the unit at a minimum height of 10 cm and a maximum height of 100 cm.
- Select a sufficiently strong location to support the weight of the unit.
- Allow access for maintenance operation around the unit.
- Make sure that there are no obstacles around the unit affecting the free circulation of air.
- Avoid installing the unit with the air flow directly toward passerby people, electric appliances or heat sources.



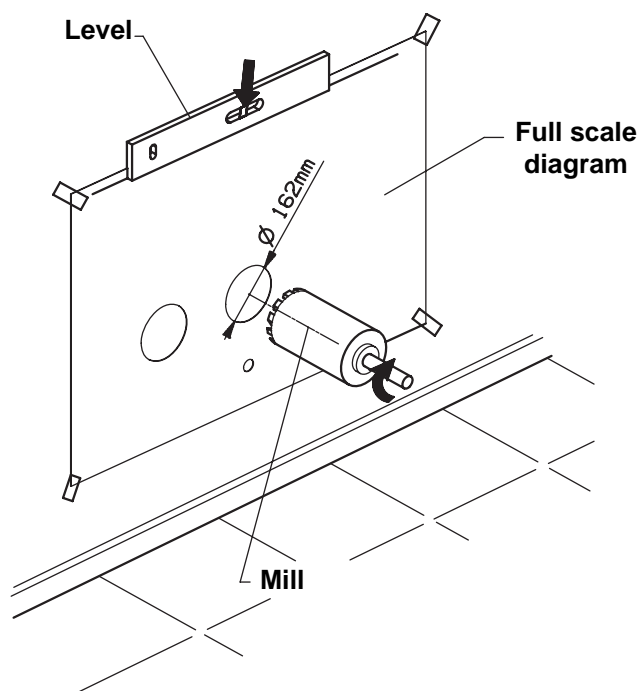
CAUTION

After the selection of the installation site, according to the above mentioned points, be sure not to make holes in areas where electrical wiring or conduits are located, damaging them.

Make sure that there are no obstacles in the conduits inside the wall affecting the free circulation of the external air. The unit must be kept at a minimum distance of 80 cm from any wall or obstacle.

MOUNTING OF THE UNIT

- Apply at the wall the full scale diagram, fix and level it.
- Drill the two holes $\varnothing 162$ mm and eventually the hole $\varnothing 35$ mm in case of heat pump unit for the condensate drainage toward the outside (assure a positive slope toward the outside).



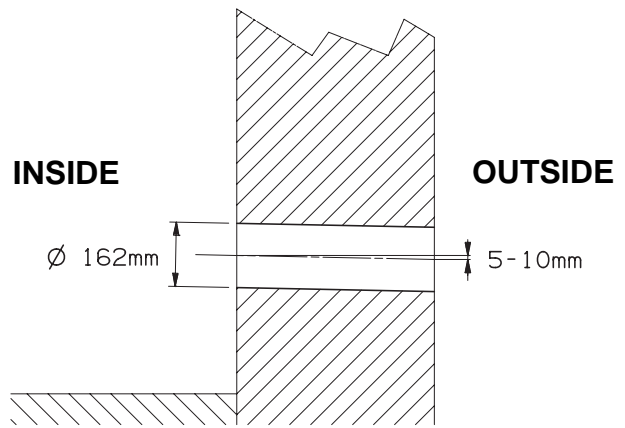
- Insert in the two holes the supplied plastic tube; cut it at the right length: it is necessary to measure the thickness of the wall and subtract 70 mm.

- Fix the two anti-intrusion grilles and the two external grilles with the blades toward the bottom using wall rawl plugs and screws.

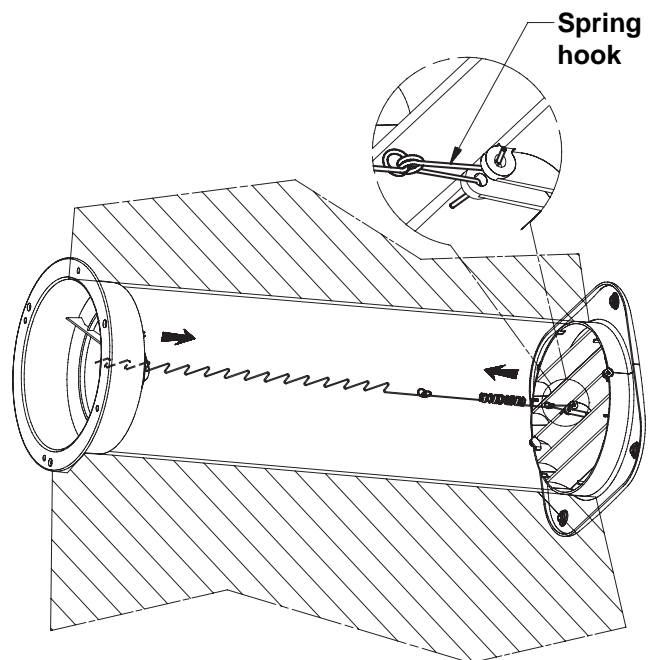
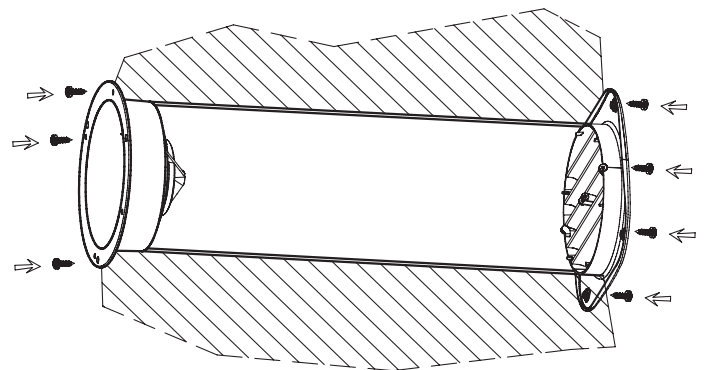
- In case it is not possible to fix the two external grilles directly at the wall, hook the two grilles to the internal ones using the supplied tension bars, as follows:

- a) Bend them, fix the hook of the spring, insert them inside the tube and open them toward the outside.
- b) Choose the proper hook of the tension bar in order to lengthen the spring of 15-20 mm and hook it to the internal grille.
- c) Eliminate the exceeding part of the tension bar cutting it near the hooking points.

- In case of very thin walls (less than 10 cm) it is necessary to mount the internal anti-intrusion grilles on the back of the unit removing the gaskets (a) from the back side and applying them around the grilles. The tube and the external grilles will not be used.

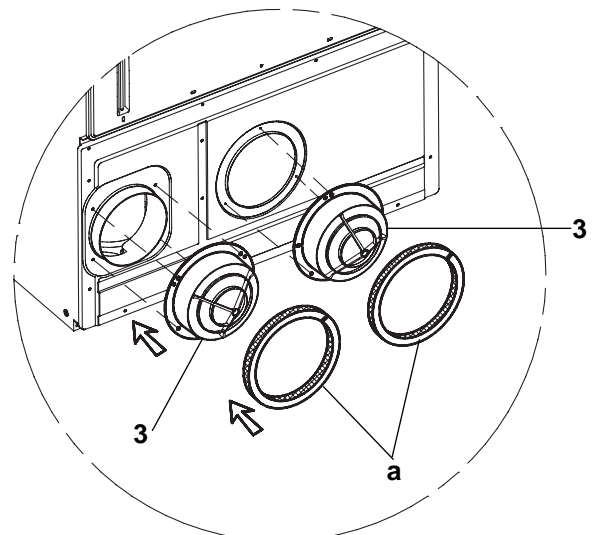
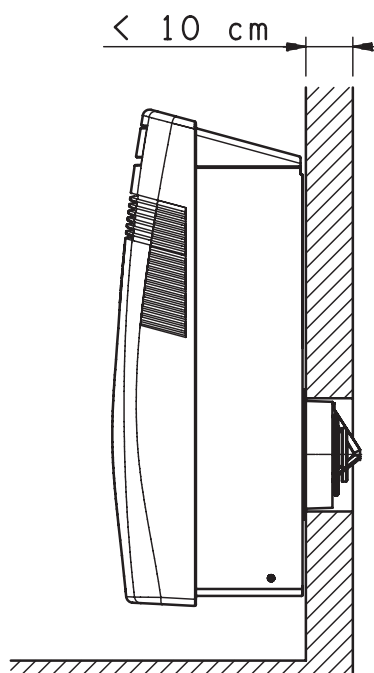


EG

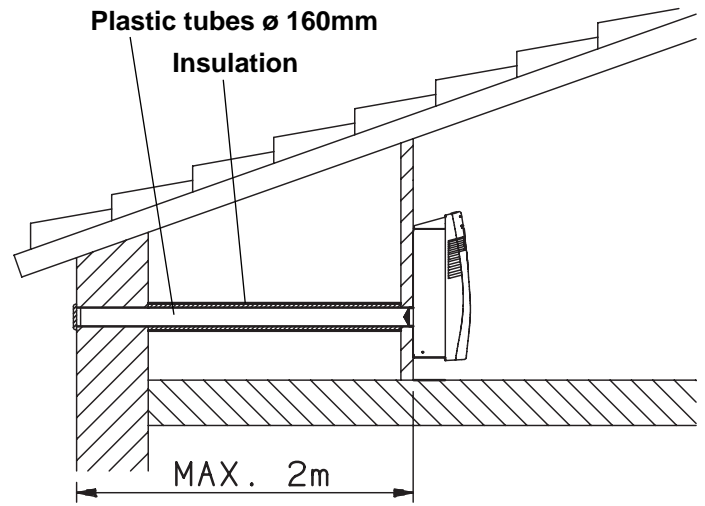


CAUTION

The manufacturer assumes no responsibilities if this safety instruction is not observed.

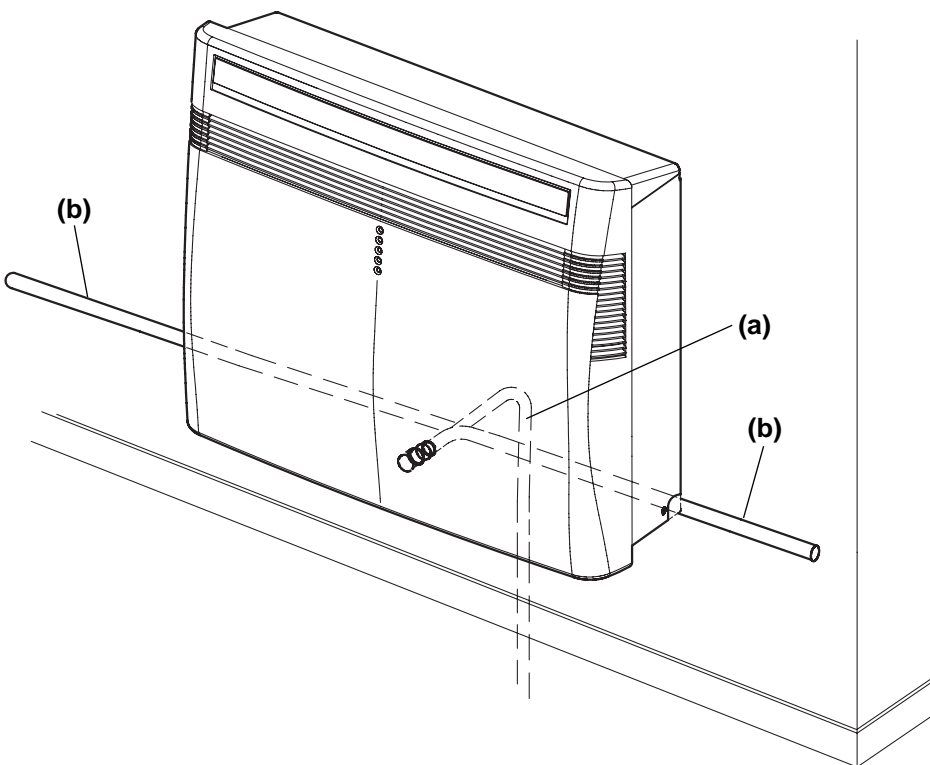
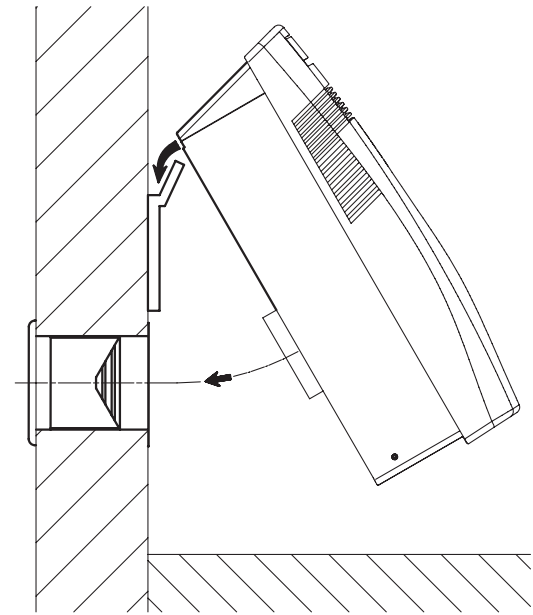


WARNING! The supplied plastic conduits can be used for wall thickness up to 50 cm; in special cases (i.e. installations in a garret) it can be necessary to utilise longer tubes. The maximum allowable length is 2 m. You can go to any building material retailer, buy the plastic tube of the same diameter ($\varnothing 160$ mm), of the proper length and cover it outside with insulating material (thickness: about 3-4 cm).



EG

- Fix the suspension panel to the wall in the position indicated on the full scale diagram.
The quantity and the type of rawl plugs (not supplied) depends on the consistence of the wall; do not let any space between the panel and the wall.
- Hang up the unit at the panel inserting the back fan outlet in the grille.
- In case of an heat pump model installation it is necessary to predispose a condensate drainage toward the outside (a) making a hole $\varnothing 35$ mm as indicated on the full scale diagram; if it is not possible, maintain the condensate tube inside (b) and make a proper drainage. Assure always a positive slope of at least 1cm/m.
- Connect the unit inserting the plug in the power socket.
- Verify the correct operation.



BEFORE USING THE APPLIANCE

- Check that the power supply at the location where the air conditioner is going to be used is 220-240V ~ 50Hz .
- Make sure that the electrical installation is suitable to supply continuously current necessary for the air conditioner in addition to that already used by other electric appliances (white goods, lighting). See the max electric input indicated on the name plate positioned on the air conditioner.
- The installation of a double-pole switch, protected by 10 A fuses of the delayed type, upstream the electricity wall socket, is recommended.
- The unit has to be connected according to the local electrical rules.
- Make sure that circuit breakers, fuses, etc, are of sufficient capacity to handle a start-up current of 20 A (generally less than 1 second).
- Do not install the air conditioner where it could be wetted by drops of water (i.e. in laundries).
- Before connecting the air conditioner to a power socket, make sure that the socket is provided with an earth connection in compliance with local codes.
- Never use the power plug as a mean to start or stop the air conditioner: always use the ON/OFF button of the remote control unit or the operation button on the unit.
- **WARNING!** Do not stick anything into the air outlet of the air conditioner. This is very dangerous because the fan is rotating at high speed.
- **WARNING!**
The air conditioner is provided with a time-guard system, which does not allow re-starting of compressor until after 3 minutes from a previous stop.
- Make sure that there are no obstacles around the unit affecting the free circulation of air. Do not block the air intakes and outlet of the unit with curtains or other. Never put objects on the top of the unit.
- When you switch on the air conditioner for the first time, it reaches the maximum efficiency after at least one hour of operation.
- The manufacturer assumes no responsibilities if the safety regulations or local codes are not observed.



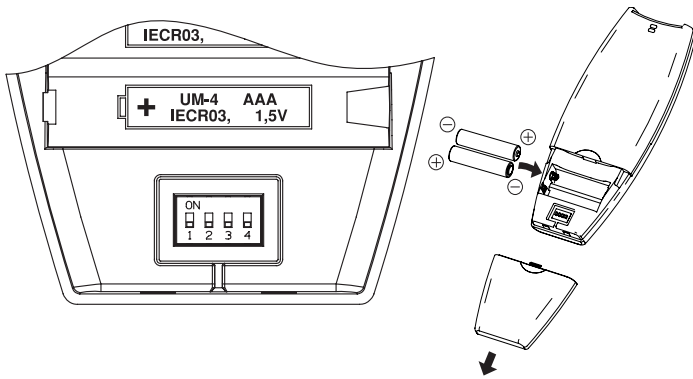
WARNING

Always unplug the unit from the power socket before moving or cleaning it and, in case you should remove it, discharge the eventual condensate water inside the bottom plate.

USING THE REMOTE CONTROL UNIT

HOW TO INSTALL BATTERIES

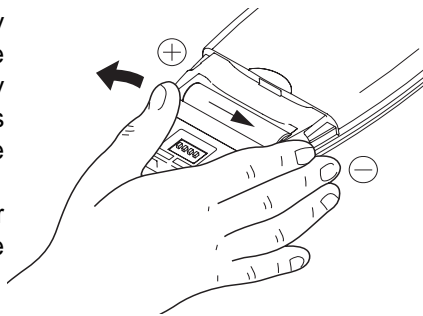
- Remove the lid in the rear part of the remote control unit and check the settings of the dipswitch as shown below:



- Insert two AAA alkaline batteries of 1,5 V-DC making sure that point in the direction marked in the battery compartment. The displayed time flashes. Press the SEL TYPE button. Remote controller is now ready for operation.
- The batteries last about six months. Depending on how much you use the remote control unit. Remove the batteries if you do not use the remote control unit for more than one month. Replace the batteries when the remote control unit lamp fails to light, or when the air conditioner does not receive the remote control unit signals.
- The batteries of the remote control contain polluted substances exhausted batteries must be disposed according to the laws in force.

HOW TO REMOVE BATTERIES

- Remove the lid.
- Press the battery toward the negative end and lift it out by its positive end (as shown in the figure).
- Remove the other battery in the same way.



TEMPERATURE SENSOR SELECTOR

- Under normal conditions the room temperature is detected and checked by the temperature sensor placed in the remote controller (I FEEL icon displayed). This function is designed to provide a personalised environment by transmitting the temperature control command from the location next to you. Therefore, when using this option, the remote control should always be aimed, without obstruction, at the air conditioner.
- It is possible to disable the remote controller room sensor pressing the I FEEL button. In this case the I FEEL icon on the remote controller display lights off and the sensor placed in the air conditioner becomes active.

NOTE

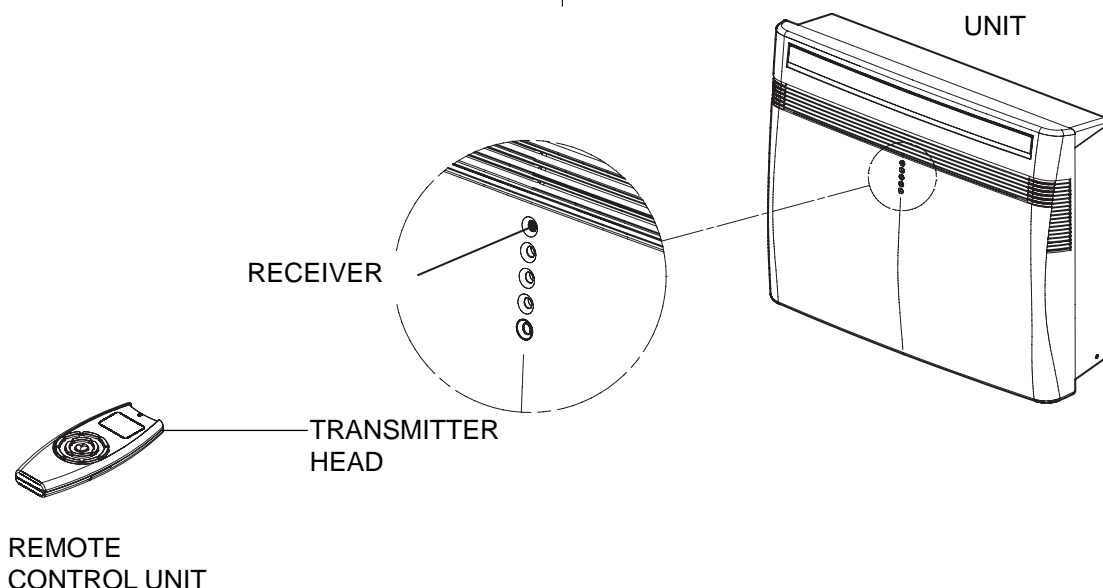
The remote control unit sends the temperature signal at any key pressing and automatically every five minutes. If, due to some troubles, the signal from the remote is no longer detected, the air conditioner keeps operating using the temperature sensor of the indoor unit to control the room temperature. In this case, the temperature around the remote control unit may differ from the temperature detected in the air conditioner position.

OPERATION WITH THE REMOTE CONTROL UNIT

When using the remote control unit, always point the unit transmitter head directly at the air conditioner receiver.

HOW TO TURN ON THE AIR CONDITIONER

Press the ON/OFF button to turn the air conditioner on. The operation lamp will light up, indicating the unit is in operation.



REMOTE CONTROL UNIT

DISPLAY

Information is displayed when the remote controller is switched on. If switched off, only the operating mode, the room temperature and the clock are shown

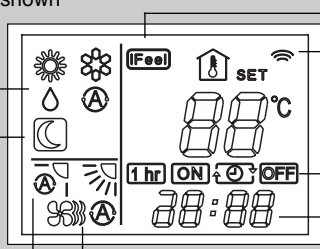
Operation mode

- Automatic
- Cooling
- Heating
- Dehumidification
- Fan

- Night mode
- Oscillation Flap

Fan speed

- Automatic
- High speed
- Medium speed
- Low speed



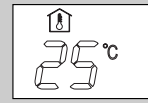
I FEEL mode is active (remote controller sensor active)

Displayed when transmitting data

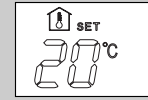
Timer modes

Clock

Room temperature



Set point temperature



EG

SENSOR

A temperature sensor inside the remote control unit detects the room temperature.

TEMPERATURE SENSOR SELECTOR

Press the I FEEL button to modify the active setting for room temperature detection (from remote controller to air conditioner and viceversa)

TEMPERATURE SETTING BUTTONS

TEMP - (cooler)

Press this button to decrease the set temperature.

TEMP + (warmer)

Press this button to increase the set temperature.

PUSH-BUTTON FLAP

To press this push-button in order to select the wished function.

: To press this push-button in order to select the wished function.

: The baffle plate oscillates automatically

ON/OFF BUTTON

This button turns the air conditioner ON and OFF.

"SEL TYPE" BUTTON

Press this button in order to:

- set the clock
 - set the ON/OFF timer
- For details refer to paragraphs "SETTING THE HOUR" and "SETTING THE TIMER".

"FAN" BUTTON

Fan speed is automatically selected by the microcomputer.

- High speed.
- Medium speed.
- Low speed.

TRANSMITTER

When you press the buttons of the remote control unit, the mark appears on the display to transmit the setting changes to the receiver in the air conditioner.

"NIGHT" BUTTON

For details, see "NIGHT MODE".

When you press this button in the COOL, HEAT or DRY mode, the mark appears on the display and the microcomputer in the remote control unit will adjust the set temperature to save energy.

INACTIVE BUTTONS

"TIMER SEL" BUTTON

Press this button to select the type of timer to activate. For details refer to paragraph "SETTING THE TIMER".

MODE SELECTOR BUTTON

Press this button to modify the air conditioner mode.

(automatic) ★

When this setting is selected, the air conditioner calculates the difference between the thermostat setting and the room temperature and automatically switches to the "cool" or "heat" mode.

(heating) ★

The air conditioner makes the room warmer.

(dry)

The air conditioner reduces the humidity in the room.

(cooling)

The air conditioner makes the room cooler.

(fan)

The air conditioner works only as a circulation fan.

★ Available only for models

COOL / DRY / HEAT / FAN

TIMER AND PRESENT TIME SETTING BUTTONS

With these buttons is possible to set the clock and the timer. For details refer to paragraphs "SETTING THE HOUR" and "SETTING THE TIMER".

HOW TO SET THE PRESENT TIME


1. Press the button SEL TYPE three times.
The time indication alone flashes.
2. Press the SET H button until the present time hour is displayed. Press the SET M button until the present time minutes are displayed. The display will automatically stop flashing.

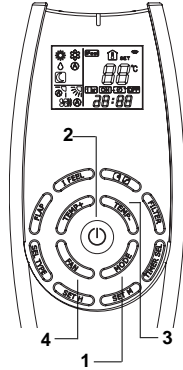
EG

COOLING

NOTE

Verify that the unit is connected to the main power and the STANDBY lamp is light up.

1. Set the MODE selector to COOL .
2. Press the ON/OFF button and switch the air conditioner ON.
3. Press the TEMP. buttons to set the desired temperature (the temperature range is between 32 °C max. and 16 °C min.).




THE DISPLAY SHOWS THE SELECTED TEMPERATURE.



AFTER 5 SECONDS FROM THE REQUIRED TEMPERATURE SETTING THE DISPLAY WILL SHOW THE ROOM TEMPERATURE AGAIN.

4. Press the FAN button to select the fan speed.

HEATING (heat pump)

1. Set the MODE selector to HEAT .
2. Press the ON/OFF button and switch the air conditioner ON.
3. Press the TEMP. buttons to set the desired temperature (the temperature range is between 32 °C max. and 16 °C min.).



THE DISPLAY SHOWS THE SELECTED TEMPERATURE.



AFTER 5 SECONDS FROM THE REQUIRED TEMPERATURE SETTING THE DISPLAY WILL SHOW THE ROOM TEMPERATURE AGAIN.

4. Press the FAN button to select the fan speed.

NOTE

For several minutes after the start of heating operation, the indoor fan will stop until the indoor heat exchanger coil has warmed up sufficiently. This is because the COLD DRAFT PREVENTION SYSTEM is operating. During this period, the STANDBY lamp remains lit.


DEFROSTING OF THE EXTERNAL HEAT EXCHANGER

When the outdoor temperature is low, frost or ice may appear on the heat exchanger coil, reducing the heating performance. When this happens, a microcomputer defrosting system operates. At the same time, the fan in the indoor unit stops and the STANDBY lamp remains lit until defrosting is completed. Heating operation restarts after several minutes. (This interval will vary slightly depending on the room and outdoor temperature).

HEATING PERFORMANCE

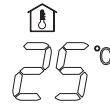
A heat pump conditioner heats a room by taking heat from outside air. The heating efficiency will fall off when the outdoor temperature is very low. If enough heat is not obtained with this air conditioner, use another heating appliance in conjunction with it.

AUTOMATIC OPERATION

1. Set the MODE selector to AUTO .
2. Press the ON/OFF button and switch the air conditioner ON.
3. Press the TEMP. buttons to set the desired temperature (the temperature range is between 32 °C max. and 16 °C min.).




THE DISPLAY SHOWS THE SELECTED TEMPERATURE.

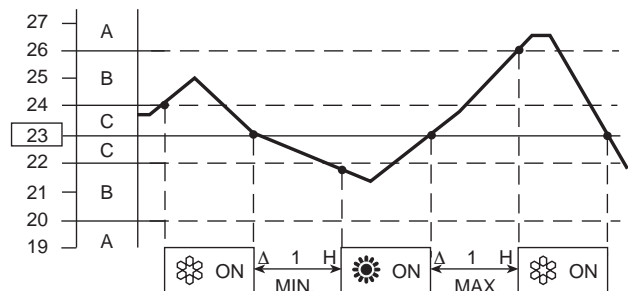


AFTER 5 SECONDS FROM THE REQUIRED TEMPERATURE SETTING THE DISPLAY WILL SHOW THE ROOM TEMPERATURE AGAIN.

When this setting is selected, the air conditioner calculates the difference between the thermostat setting and the room temperature and automatically switches to the COOL or HEAT mode as appropriate.

4. Press the FAN selector button to the setting you want.

Example of operation diagram in the  (Auto) mode with the set room temperature at 23°C.

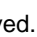


NOTE

The air conditioner changes the operation mode (from cool to heat or vice versa, if one of the following conditions occurs:

- **ZONE A:** changes if the difference between the room temperature and the temperature set on the remote control unit is at least 3°C..
- **ZONE B:** changes if the difference between the room temperature and the temperature set on the remote control unit is at least 1°C, one hour after the compressor stop.
- **ZONE C:** never changes if the difference between the room temperature and the temperature set on the remote control unit is no more than 1°C.

DEHUMIDIFYING (DRY)

1. Set the MODE button to DRY. The icon  is displayed.
2. Press the ON/OFF button and switch the air conditioner ON.
3. Press the TEMP. buttons to set the desired temperature (the temperature range is between 32 °C max. and 16 °C min.).




THE DISPLAY SHOWS THE SELECTED TEMPERATURE.




AFTER 5 SECONDS FROM THE REQUIRED TEMPERATURE SETTING THE DISPLAY WILL SHOW THE ROOM TEMPERATURE AGAIN.

NOTE

- Use DRY operation when you want to reduce the humidity in the room.
- Once the room temperature reaches the set level, the unit repeats the cycle of turning on and off automatically.
- During DRY operation, the fan speed is automatically set to  or stops to prevent overcooling.
- Dry operation is not possible if the indoor temperature is 15 °C or less.


FAN ONLY

If you want to make air circulate without any temperature control, follow these steps:

1. Press the ON/OFF operation button and switch the air conditioner ON.
2. Press MODE button until only the  fan sign appears on the display.

ADJUSTING THE FAN SPEED

AUTOMATIC

Simply set the FAN selector to the  position. A microcomputer automatically controls the fan speed when the AUTO mode is selected. When the air conditioner starts operating, the difference between the room temperature and the set temperature is detected by the microcomputer which then automatically switches the fan speed to the most suitable level.




WHEN DIFFERENCE BETWEEN ROOM TEMPERATURE AND SET TEMPERATURE IS		FAN SPEED
Cooling and dehumidifying modes:	2 °C and over	High
	Between 2 and 1 °C	Medium
	Below 1 °C	Low
Heating mode:	2 °C and over	High
	Below 2 °C	Medium

NOTE


The above mentioned data make reference to the conditioner operating when the sensor on the remote control unit is ON. (Refer to temperature sensor selector). If the sensor on the indoor unit is being used then actual operation will slightly differ from that described in the above tables. The automatic speed is not available in FAN ONLY mode.

MANUAL

If you want to manually adjust speed just set the FAN selector as desired.

 High speed  Med. speed  Low speed

NIGHT MODE

- The NIGHT mode enables you to save energy.
 1. Set the MODE selector to cool, dry or heat.
 2. Press the NIGHT button.
 3. The  mark appears on the display. Press the NIGHT button again to release the NIGHT function.

What does the NIGHT mode mean?

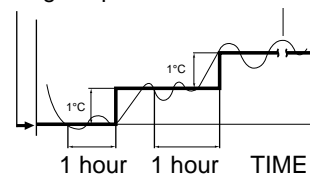
In this mode, the air conditioner will cool or heat the room to the set temperature, and then the thermostat will make the unit pause. After about 1 hour, the air conditioner will automatically reset the set temperature as follows (also refer to graphs).

OPERATING MODE	SET TEMPERATURE CHANGE
Heating	Lowered by 1 °C
Cooling and Dehumidifying	Raised by 1 °C

When the room temperature reaches the new set value, the thermostat will cause the unit to pause. After about 1 hour the temperature will be raised by 1 °C in cooling, or lowered by 1 °C in heating. This enables you to save energy without sacrificing your comfort.

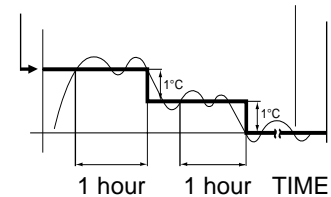
COOLING AND DEHUMIDIFYING

Setting temperature Room temperature



HEATING

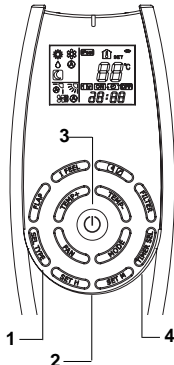
Setting temperature Room temperature



SETTING THE TIMER

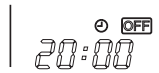
A) HOW TO SET THE ON TIME

1. Press the SEL TYPE button once.
The ON and time indications flash.
2. Press the SET H button until the designed hour is displayed.
Press the SET M button until the designed minutes are displayed. The display will change automatically back to show the present time after 10 sec.
3. Press the ON/OFF button to start the air conditioner.
4. Press the TIMER SEL button to activate the ON timer.



B) HOW TO SET THE OFF TIME

1. Press the SEL TYPE button twice.
The OFF and time indications flash.
2. Press the SET H button until the designed hour is displayed.
Press the SET M button until the designed minutes are displayed. The display will change automatically back to show the present time after 10 sec.
3. Press the ON/OFF button to start the air conditioner.
4. Press the TIMER SEL button two times to activate the OFF timer.



C) HOW TO SET A PROGRAM FOR DAILY ON/OFF OPERATION (OR VICEVERSA)

1. Set the timer ON/OFF as shown in A) and B).
2. Press the ON/OFF button to start the air conditioner.
3. Press three times the TIMER SELECT button to activate the DAILY timer.



NOTE

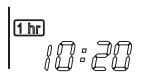
After timer setting, press PROGRAM button in order to check the ON/OFF setting time.

SETTING THE 1 HOUR TIMER

This function causes the unit to operate for one hour at the set conditions, regardless of whether the unit is on or off.

TIMER SETTING PROCEDURE.

- Press four times the TIMER SEL button. The 1 HOUR TIMER mark will appear on the display.



CANCELLATION PROCEDURE

- Press the ON/OFF button to turn the air conditioner off.
- Wait for the indoor unit to stop operating.
- Press the ON/OFF button again to turn the air conditioner on.

ADJUSTING THE AIR FLOW DIRECTION

HORIZONTAL (manual)

The horizontal air flow can be adjusted by moving the vertical vanes to the left or right, as indicated in the following figures.

VERTICAL (with remote control unit)

Make sure that the remote control unit has been turned on. Press the FLAP button to select the sweep function or to choose one of the six positions of the flap.



CAUTION

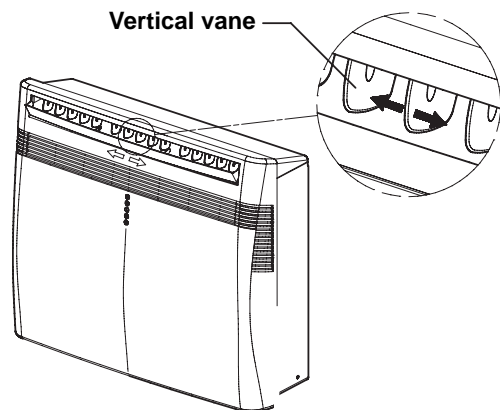
Set vertical vanes to the front position during COOLING/DRY operation if humidity is high.

If the vertical vanes are set to the left-most or right-most position, condensation will form around the air outlet and drip off.



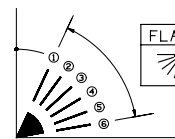
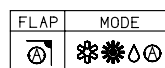
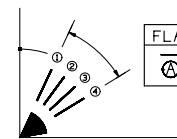
CAUTION

Do not move the flap with your hands when the air conditioner is running.



Sweep function

The flap starts moving up and down to deliver air over the sweep range.



NOTES

- The flap automatically closes when the unit is off.
- During the heating operation, the fan speed will be very low and the flap will be in the horizontal position (position ④) until the air being blown out of the unit begins to warm. Once the air warms up, the flap position and fan speed change to the settings specified with the remote control.



CAUTION

- Use the FLAP button on the remote control to adjust the position of the flap. If you move the flap by hand, the factual flap position and the flap position on the remote control may no longer match. If this should happen, shut off the unit, wait for the flap to close, and then turn on the unit again; the flap position will now be normal again.

OPERATION WITHOUT THE REMOTE CONTROL UNIT

If you have lost the remote control unit or it has troubles, follow the steps below.

1. WHEN THE AIR CONDITIONER IS STOPPED

If you want to turn on the air conditioner push the OPERATION BUTTON to select the desired mode:

- COOL or HEAT for heat pump models
- COOL for cooling only models

NOTE

The air conditioner will start in **HIGH fan speed**.
The temperature setting is **25°C for cooling mode and 21°C for heating mode**.

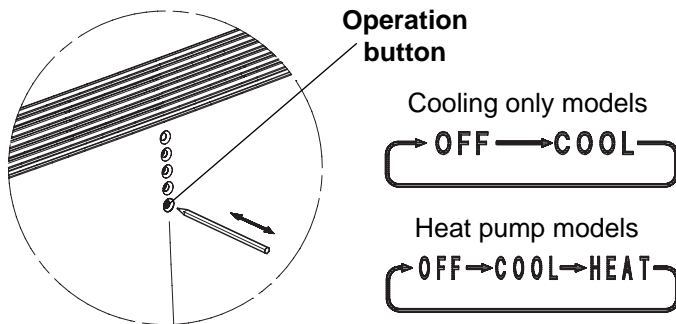
2. WHEN THE AIR CONDITIONER IS RUNNING

If you want to turn off the air conditioner push the OPERATION BUTTON until the OPERATION lamp is turned off.

NOTE

Power failure during operation.

In the event of power failure, the unit will stop. When the power is resumed, the unit will restart automatically after 3 minutes.



TIPS FOR ENERGY SAVING

DO NOT:


- Block the air intake and outlet of the unit. If they are obstructed, the unit will not work well, and may be damaged.
- Let direct sunlight into the room. Use sunshades, blind or curtain.

DO:

- Always try to keep the air filter clean. A clogged filter will impair the performance of the unit.
- To prevent conditioned air from escaping, keep windows, doors and any other openings closed.
- The room temperature is above 16°C for cooling and dehumidification mode.

TROUBLESHOOTING

NOTE

The blinking of OPERATION, TIMER and STANDBY lamps, indicates that the operating mode selected (A ) is not compatible with the unit. If this happens the air conditioner does not operate until the correct mode is selected.



WARNING

- The use of portable telephones near the air conditioner may cause disturbance to its normal operation and must be avoided. In case abnormal operation is noticed, (OPR operation lamp lights (4) but the air conditioner will not run) to restore normal operation turn-off electric supply for 60 seconds at least, by disconnecting the main switch or the wall plug, then start again the air conditioner.
- If your air conditioner does not work properly, first check the following points before requesting service. If it still does not work properly, contact your dealer or service centre.

Trouble: the air conditioner does not run at all.

Possible cause:

1. Power failure.
2. Leakage breaker tripped.
3. Line voltage is too low.
4. Operation button is OFF.
5. Batteries in remote control unit have run down.
6. The selector of the boiler connection kit is not in the right position.

Remedy:

1. Restore power.
2. Contact service centre.
3. Consult your electrician or dealer.
4. Press the button again.
5. Replace batteries.
6. Put the selector in the position with the symbol "air conditioner".

Trouble: The air conditioner **does not operate** and standby lamp (3) flashes .

Possible cause:

1. Defective sensor.

Remedy:

1. Contact service centre.

Trouble: STANDBY and OPERATION lamps flash and the air conditioner does not operate.

Possible cause:

1. Air conditioner coil sensor defective.

Remedy:

1. Contact service centre.

Trouble: Compressor runs but soon stops.

Possible cause:

1. Obstruction of the air intake grilles.

Remedy:

1. Remove obstruction.

Trouble: Poor cooling or heating performance.

Possible cause:

1. Dirty or clogged air filters.
2. Heat source or many people in room.
3. Doors and/or windows are open.
4. Obstacle near air intake or air discharge port.
5. The set temperature on the remote control unit is too high.
6. Outdoor temperature is too low (heat pump version).
7. Defrosting system does not work (heat pump version).

Remedy:

1. Clean air filters to improve airflow.
2. Eliminate heat source if possible.
3. Shut them to keep the heat or cold out.
4. Remove it to ensure good airflow.
5. Set the right temperature on the remote control unit.
6. Try to use a back-up heater.
7. Consult your dealer.

Trouble: Operation lamp (4) flashes, the fan operates, while the compressor stops.

Possible cause:

1. Safety float switch operating due to excessive condensate in the unit.

Remedy:

1. Discharge the condensate (see paragraph "HOW TO DISCHARGE THE CONDENSATE WATER").

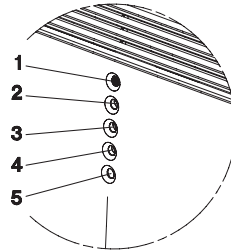
Trouble: Clicking sound is heard from the air conditioner.

Possible cause:

1. During operation, any plastic parts may expand or shrink due to a sudden temperature change. In this event, a clicking sound may occur.

Remedy:

1. This is normal, and the sound will disappear when an even temperature is settled.



EG

HOW TO DISCHARGE THE CONDENSATE WATER

The Humidity removed by the unit is collected and discharged automatically, but in special conditions some condensate water could remain inside the unit.

If you are not going to make use of the air conditioner for a long period, it is necessary to discharge the eventual condensate water through the service tube for condensate discharge placed under the bottom of the unit.

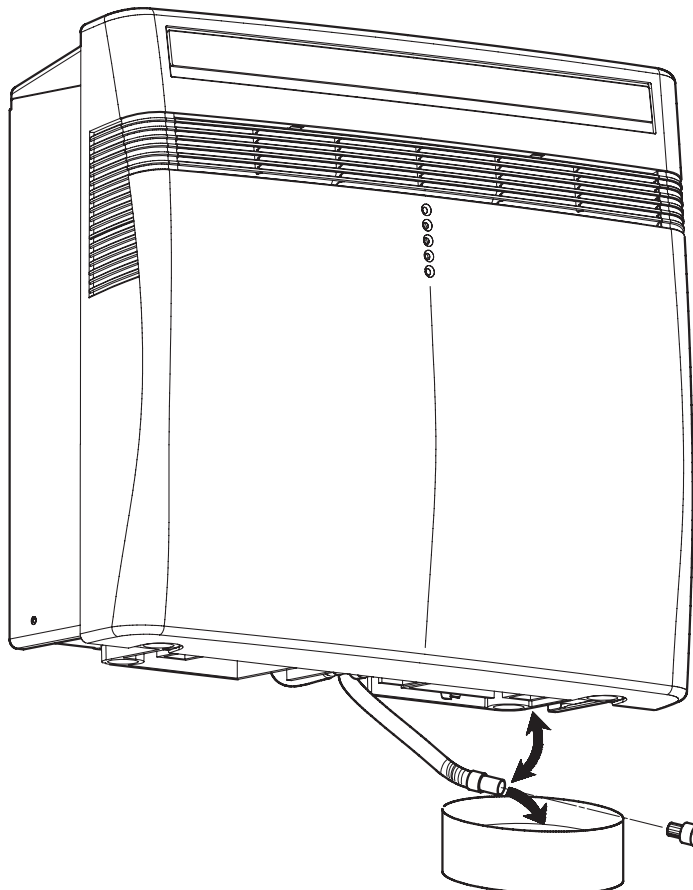
IMPORTANT

At the end of the operation close the tube with its stopper.



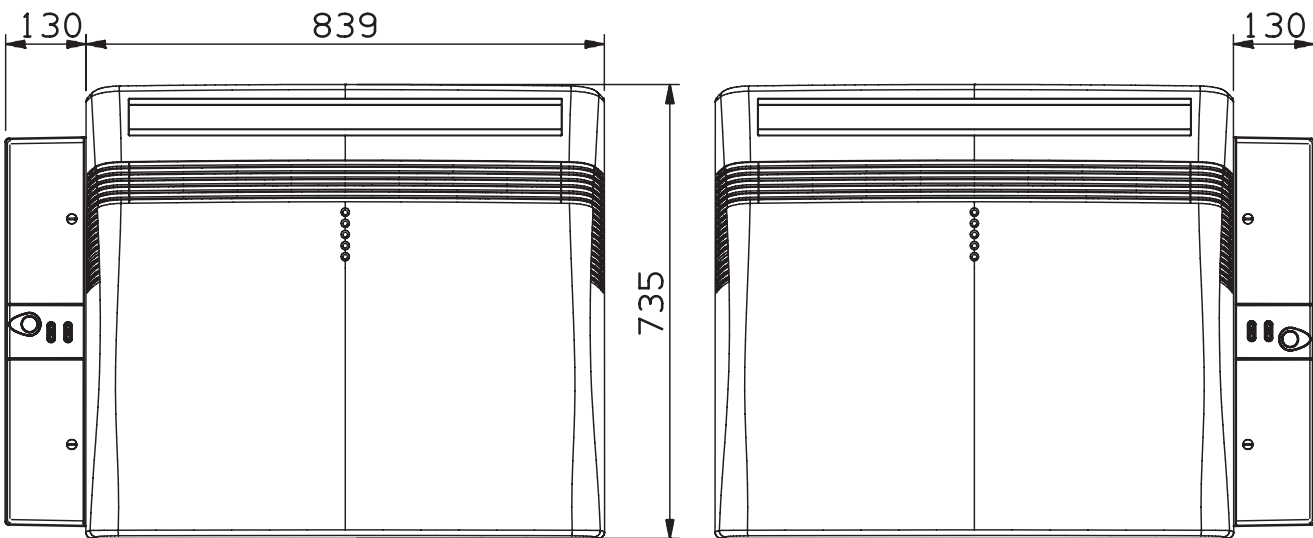
WARNING

- Always switch off the air conditioner before unplugging it from the power socket.
- Always unplug the air conditioner before discharging the condensate water collected inside.



BOYLER CONNECTION KIT (ONLY FOR 245C-235H MODELS)

The unit is predisposed to replace a radiator in an already existing heating system. It is necessary to buy the boiler connection kit that can be installed on both side of the unit according of the position of the water connections.



EG

CARE AND CLEANING

WARNING! For safety's sake, be sure to turn the air conditioner OFF and also disconnect it from the power supply before cleaning it.

1. Cleaning of the Air Filter

The air filter must be checked at least once every two weeks operation. Operation with a dirty filter always causes a lower efficiency of the air conditioner and severe product damage. The filter is located at the back of the front intake grille: open the grille pulling downward the two hooks, grasp the air filter and pull upwards. Use a vacuum cleaner to remove light dust. If there is sticky dust on the filter, wash it with lukewarm soapy water, then rinse in clean, cold water and dry it before reinstallation.

2. Cleaning of Casing and Grilles.

To clean the air conditioner, wipe it with a clean soft cloth, lightly moistened. In case it is stained, moisten the cloth with soapy water. Never use solvents or harsh chemicals, nor very hot water. Do not pour water over the air conditioner to clean it: this will damage the internal components and cause an electric shock hazard.

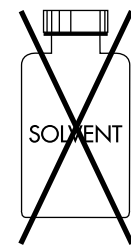
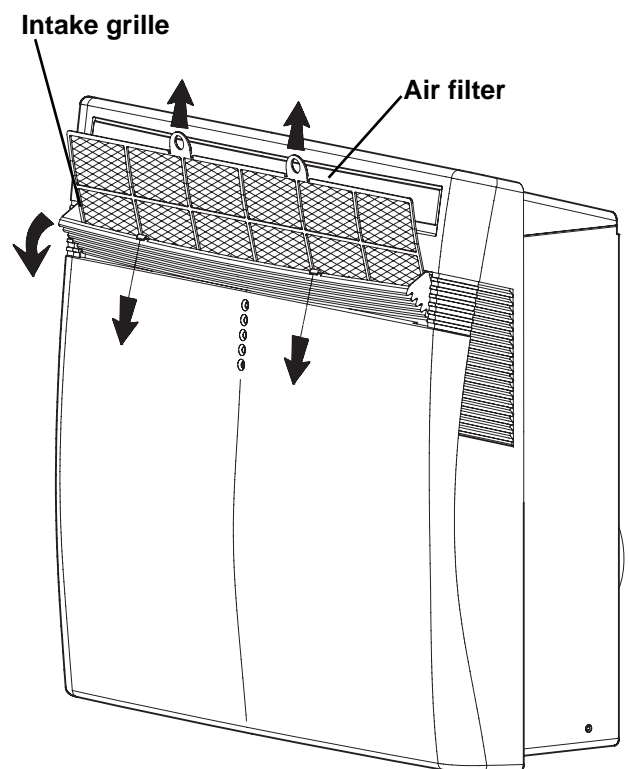
3. After use.

If you are not going to make use of the air conditioner for a long period, clean the air filter and verify that there is no condensate water inside the bottom of the unit (see paragraph "HOW TO DISCHARGE THE CONDENSATE WATER"). Do not put heavy objects on top of the unit.

4. Transport.

Keep the air conditioner in the vertical position during transportation.

5. For your safety care check periodically the conditions of the electric supply cable; the electrical connection of the unit is Y type with cable prepared in a special way; in case you should notice any damage due to usage, call the nearest After Sale Service to get the cable replaced.



NO!

Electric wiring diagrams' symbols / Simboli schemi elettrici / Symboles des schemas électriques / Symbole der System-Schaltplanen
 Símbolos de los esquemas eléctricos / Símbolos dos esquemas eléctricos

SYMBOL	EG	I	F	D	E	P
PC-DP	CONDENSATE PUMP MOTOR	MOTORE POMPA CONDENSA	MOTEUR POMPE CONDENSATION	KONDENSATPUMPE-MOTOR	MOTOR BOMBA DE AGUA	MOTOR BOMBA DE AGUA
CM	COMPRESSOR MOTOR	MOTORE COMPRESSORE	MOTEUR DE COMPRESSEUR	KOMPRESSORMOTOR	MOTOR DEL COMPRESOR	COMPRESOR
C1, 2, 3, 4	CAPACITOR	CONDENSATORE	CONDENSATEUR	KONDENSATOR	CONDENSADOR	CONDENSADOR
DEF THERMO	DEFROST THERMOSTAT	TERMOSTATO SBRINATORE	THERMOSTAT DE DEGIVRAGE	ENTFROSTER-THERMOSTAT	TERMOSTATO DE DESCONGELACION	TERMOSTATO DE DESCONGELACION
FLP	FLAP MOTOR	MOTORE DEFFETTORE	MOTEUR DE VOLET	KLAPPENMOTOR	MOTOR DEL DEFLECTOR	MOTOR DA PLACA
LM	LOUVER MOTOR	MOTORE DEFFETTORE	MOTEUR D'AUVENT	LÜFTKLAPPENMOTOR	MOTOR CON ABERTURAS	MOTOR COM ABERTURAS LATERAIS
FMO	OUTDOOR FAN MOTOR	MOTORE ESTERNO VENTOLA	MOTEUR DE VENTILATEUR EXTERIEUR	AUSSENLUFTERMOTOR	MOTOR EXTERIOR DE LA TURBINA	MOTOR DA VENTONINHA EXTERIOR
FMI, FM	INDOOR FAN MOTOR	MOTORE INTERNO VENTOLA	MOTEUR DE VENTILATEUR INTERIEUR	INNENLUFTERMOTOR	MOTOR INTERIOR DE LA TURBINA	MOTOR DA VENTONINHA INTERIOR
IND. ASSY	INDICATOR ASSY	GRUPPO INDICATORI	ENSEMBLE INDICATEUR	ANZEIGE-BAUGRUPPE	GRUPO DE INDICADORES	GRUPO DE INDICADORES
MG	MAGNETIC CONTACTOR	CONTATTORE MAGNETICO	CONTACTEUR MAGNETIQUE	MAGNETKONTAKTGEBER	CONTACTOR MAGNÉTICO	CONTACTOR MAGNÉTICO
NF	NOISE FILTER	FILTRO RUMORE	FILTRE ANTI PARASSITE	LÄRM-SCHUTZFILTER	FILTRO DEL RUIDO	FILTRO DE RUIDO
OLR	OVERLOAD RELAY	RELÉ SOVRACCARICO	RELAIS DE SURCHARGE	ÜBERLASTRELAIS	RELÉ DE SOBRECARGA	RELÉ DE SOBRECARGA
CE- PCB	CONTROLLER	SCHEDA ELETTRICA	CARTE ELECTRONIQUE	STEUERGEGERÄT	CONTROLADOR	PANEL ELÉTRICO
PR	POWER RELAY	RELÉ ALIMENTAZIONE	RELAIS D'ALIMENTATION	LEISTUNGSRELAIS	RELÉ DE ALIMENTACIÓN	RELÉ DA ALIMENTAÇÃO
RP	PUMP RELAY	RELÉ POMPA	RELAIS POMPE	PUMPE RELAIS	RELÉ BOMBA DE AGUA	RELÉ BOMBA
SSR	SOLID STATE RELAY	RELÉ STATO SOLIDO	RELAIS A SEMI-CONDUCTEUR	FESTKÖRPERRELAIS	RELÉ DEL ESTADO SÓLIDO	RELÉ DO ESTADO SÓLIDO
RA	STARTING RELAY	RELÉ DI AVVIAMENTO	RELAIS DE DEMARRAGE	STARTRELAIS	RELÉ DE ARRANQUE	RELÉ DE ARRANQUE
SV	SOLENOID VALVE	VALVOLA SOLENOIDE	ELECTROVANNE	MAGNETVENTIL	VALVULA SOLENOIDE	VALVULA SOLENOIDE
MS- FS	SAFETY FLOAT SWITCH	INT. SICUREZZA A GALL.	INTERR. DE SECURITE A FLOTTEUR	SCHWIMMSCHUTZSCHALTER	INTERR. DE SEGURIDAD DE FLOTADOR	INTERR. DE SEGURANÇA
ON-OFF SW	ON-OFF SWITCH	INTERRUTTORE MARCHA/ARRESTO	TOUCHE MARCHE/ARRÊT	EINWGS TQSTE	BOTON ARRANQUE/PARADA	INTERRUPUTOR LIGAR/DESLIGAR
TH1, 2,	THERMISTOR	TERMISTORE	THERMISTANCE	THERMISTOR	TERMISTOR	TERMISTOR
P	TIMER	PROGRAMMATORE	PROGRAMMATEUR	ZEITSCHALT-UHR	PROGRAMADOR	TIMER
TR1, 2	POWER TRANSFORMER	TRASFORMATORE DI POTENZA	TRANSFORMATEUR DE PUISSANCE	NETZTRANSFORMATOR	TRANSFORMADOR DE POTENCIA	TRANSFORMADOR DE CORRENTE
2WS	4-WAY VALVE	VALVOLA 4 VIE	VANNE 4 VOIES	4-WEG-VENTIL	VALVULA DE 4 VIAS	VALVULA DE 4 VIAS
4TC	NEGATIVE PHASE RELAY	RELÉ A FASE NEGATIVA	RELAIS D'ORDRE DE PHASE	NEGATIVPHASENRELAIS	RELÉ DE FASE NEGATIVA	RELÉ DA FASE NEGATIVA
HMC	HOT WATER CONTROL	SCHEDA CONTROLLO ACQUA CALDA	CARTE ELECTRONIQUE EAU CHAUDE	WÄRMWASSER-STEUERGERÄT	CONTROLADOR AGUA CALIENTE	PLACA DE CONTROLLO AGUA QUENTE
TM	LIMIT WATER THERMOSTAT	TERMOSTATO LIMITE ACQUA	THERMOSTAT DE SEC. NIVEAU EAU	VASSEGRENZE-THERMOSTAT	TERMOSTATO LIMITE AGUA	TERMOSTATO LIMITE AGUA
EWW	WATER ELECTRIC VALVE	ELETTROVALVOLA PASS. ACQUA	ELECTROVANNE PASSAGE EAU	VENTIL (WASSER-DURCHFLOSS)	VALVULA FLUIDO DE AGUA	VALVULA PASSAGEM DE AGUA

EG	I	F	D	E	P
BLK	BLACK	NERO	SCHWARZ	NEGRO	PRETO
BLU	BLUE	BLU	BLAU	AZUL	AZUL
BRN	BROWN	MARRONE	BRAUN	MARRÓN	CASTANHO
GRN / YEL	GREEN / YELLOW	VERDE / GIALLO	GRÜN / GELB	VERDE / AMARILLO	VERDE / AMARELO
GRY	GREY	GRIGIO	GRAU	GRIS	CINZENTO
ORG	ORANGE	ARANCIONE	ORANGE	NARANJA	COR-DE-LARANJA
PNK	PINK	ROSA	ROSA	ROSA	COR-DE-ROSA
RED	RED	ROSSO	ROT	ROJO	ENCARNADO
VLT	VIOLET	VIOLA	VIOLETT	VIOLETA	VIOLETA
WHT	WHITE	BIANCO	WEISS	BLANCO	BRANCO
YEL	YELLOW	GIALLO	GELB	AMARILLO	AMARELO
AZU	LIGHT BLUE	AZZURRO	HIMMELBLAU	AZUL CLARO	AZUL CLARO

Wires color legend
 Legenda colori fili elettrici
 Légende des couleurs des fils électriques
 Beschriftung der Leitungs-Farben
 Leyenda de los colores de los cable electricos
 Legenda das cores dos fios elétricos