



35W PAR 20L 10 degrees



35W PAR 20L 30 degrees



35W PAR 30L 10 degrees



35W PAR 30L 30 degrees



70W PAR 30L 10 degrees



70W PAR 30L 40 degrees

The CDM-R comprises a range of reflector metal halide lamps with a warm colour impression (3000K) and excellent colour rendering.

High beam intensities can be created thanks to the small axial discharge arc, optimally positioned in the internal reflector.

Low operating costs result from the high lamp efficacy, combined with long lamp life compared to incandescent and halogen lamps.

The CDM-R's unique "effect/lamp volume" ratio increases flexibility in application and allows powerful lighting accents from inconspicuous luminaires.

Ease of luminaire design is provided since the CDM-R lamps can be used in open luminaires.

In indoor applications comfort is enhanced because of the relatively low heat output of the lamps.

The lamps contain a UV-Block burner capsule for reduced fading risks.

CDM-R lamps have to be used in combination with a ballast and an ignitor or a suitable fully electronic ballast, like the Philips MHC/EMC range.

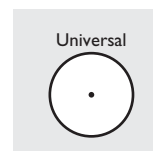
For a satisfactory operation of the lamp on conventional gear; the mains supply should not fluctuate more than 5% from the rated voltage of the ballast. If there is a constant deviation of more than 3% of the rated voltage, another ballast rating is recommended. Burning position: universal.

Note

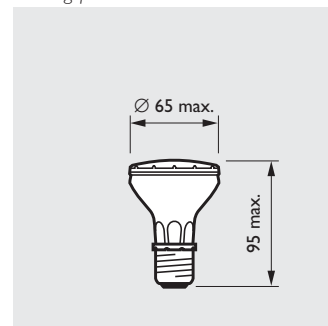
CDM-R is equipped with an E27 lamp base, E27 lampholders used must be suitable for ignition peaks up to 5 kV.

Applications

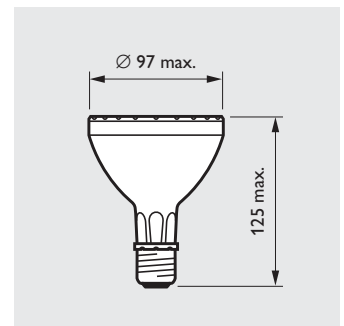
- Accent/decorative lighting: sparkling, theatrical effects in display lighting, even in surroundings with a high luminance level like shop windows.
- General lighting: in downlighters, a warm, comfortable atmosphere can be created.



Burning position



PAR 20

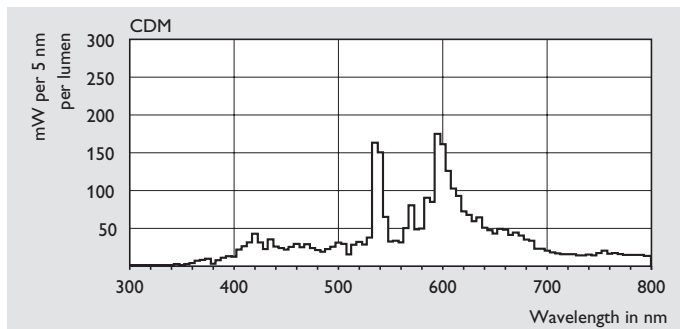


PAR 30

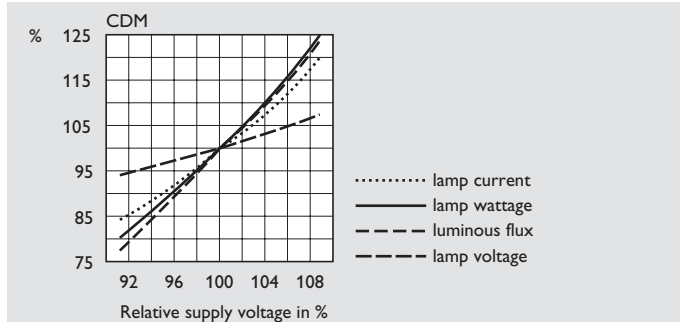
Dimensions in mm

Type	Cap/ base	Lamp wattage W	Lamp voltage V	Correlated colour temperature K	Lumen output reflector lm	Colour rendering index	Max luminous intensity cd	Lamp current A
CDM-R								
CDM-R 35W/830 PAR20L10DG	E27	38	88	3000	2000	81	23000	0.5
CDM-R 35W/830 PAR20L30DG	E27	38	88	3000	2000	81	5000	0.5
CDM-R 35W/830 PAR30L10DG	E27	38	88	3000	2200	81	44000	0.5
CDM-R 35W/830 PAR30L30DG	E27	38	88	3000	2200	81	7400	0.5
CDM-R 70W/830 PAR30L10DG	E27	73	90	3000	4850	83	68000	1.0
CDM-R 70W/830 PAR30L40DG	E27	73	90	3000	4850	83	10000	1.0

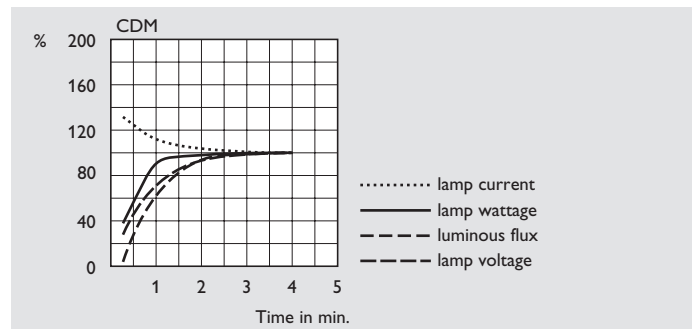
Type	Maximum permissible base/pinch temperature °C	Maximum permissible bulb temperature °C	Chromaticity coordinate x	Chromaticity coordinate y	Minimum ignition supply voltage V	Nett weight g	Ilcos code	Ordering number	EOC
CDM-R									
CDM-R 35W/830 PAR20L10DG	200	300	433	402	198	120	MR-35/20/1B-H-E27	9280 841 00600	19808215
CDM-R 35W/830 PAR20L30DG	200	300	433	402	198	120	MR-35/20/1B-H-E27	9280 840 00600	19810515
CDM-R 35W/830 PAR30L10DG	200	300	431	400	198	225	MR-35/30/1B-H-E27	9280 709 00600	19701610
CDM-R 35W/830 PAR30L30DG	200	300	431	400	198	225	MR-35/30/1B-H-E27	9280 710 00600	19703010
CDM-R 70W/830 PAR30L10DG	200	300	427	397	198	225	MR-70/30/1B-H-E27	9280 711 00600	19705410
CDM-R 70W/830 PAR30L40DG	200	300	427	397	198	225	MR-70/30/1B-H-E27	9280 712 00600	19707810



Spectral power distribution



Effects of mains voltage variations



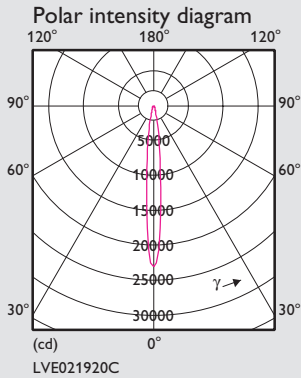
Lamp performance during run-up

Tc	3000K /830					4200K /942			
Type	CDM-TC	CDM-T	CDM-TD	CDM-TP	CDM-R PAR20	CDM-R PAR30L	CDM-T	CDM-TP	CDM-TD
35W									
70W									
150W									

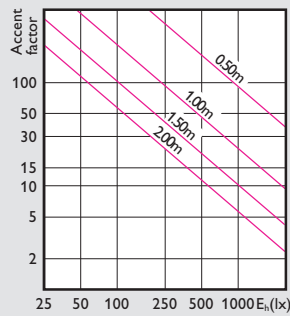
Mastercolour CDM range

PAR20/035 10D

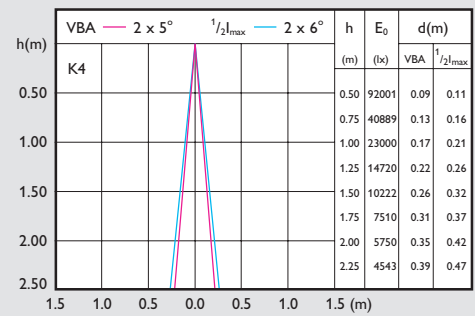
1 x CDM-R20-35W / 830



Visual impact diagram

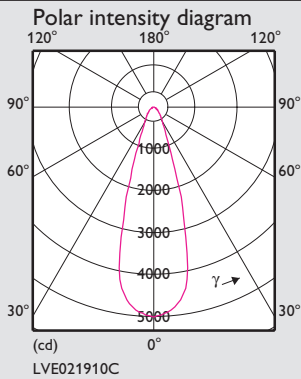


Beam diagram

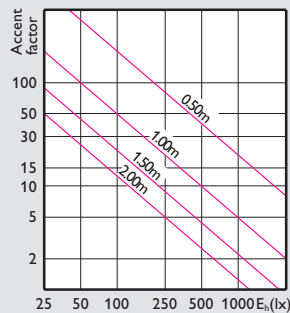


PAR20/035 30D

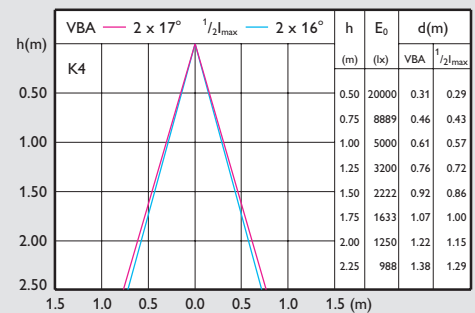
1 x CDM-R20-35W / 830



Visual impact diagram

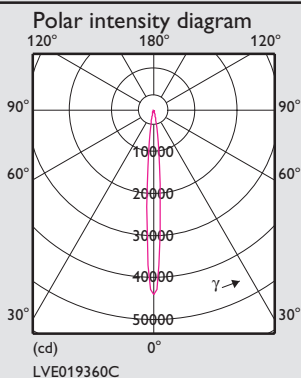


Beam diagram

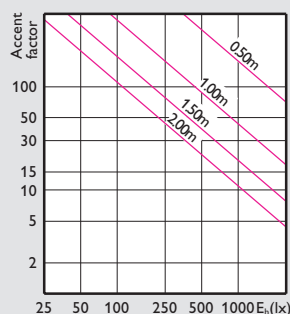


PAR30L/035 10D

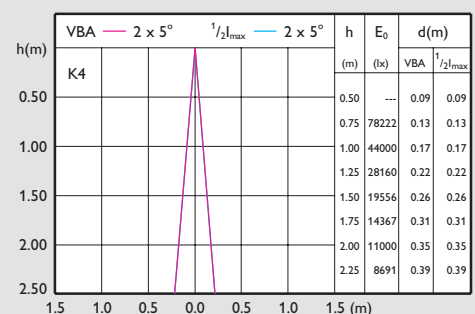
1 x CDM-R30-35W / 830



Visual impact diagram

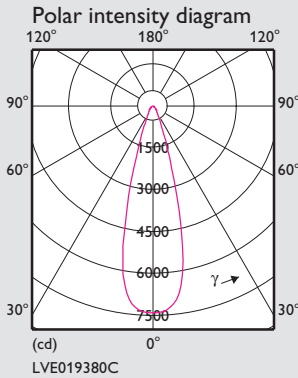


Beam diagram

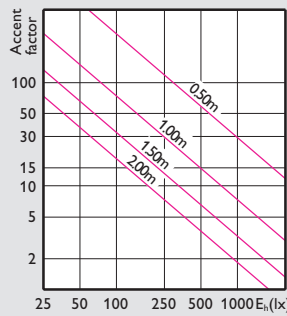


PAR30L/035 30D

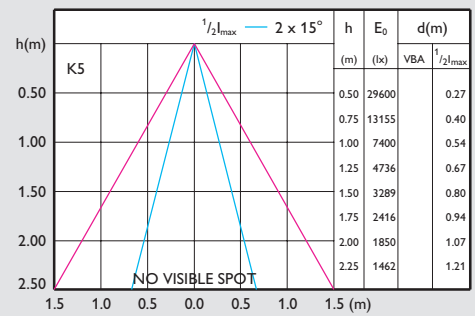
1 x CDM-R30-35W / 830



Visual impact diagram

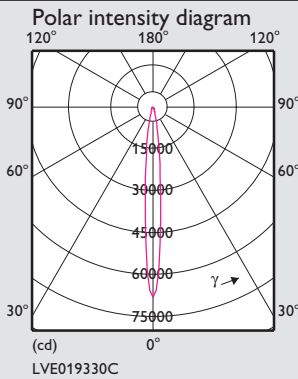


Beam diagram

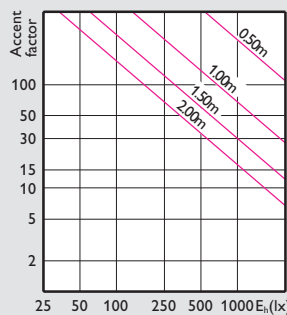


PAR30L/070 10D

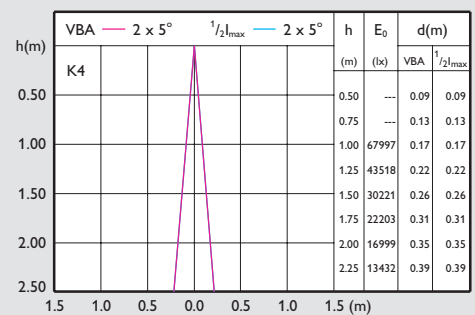
1 x CDM-R30-70W / 830



Visual impact diagram

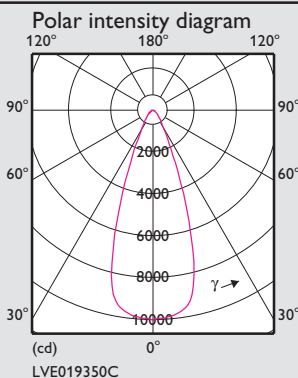


Beam diagram

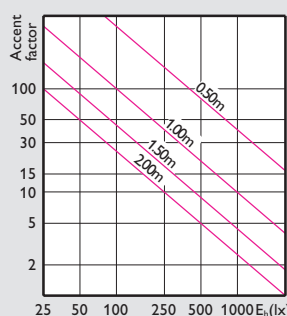


PAR30L/070 40D

1 x CDM-R30-70W / 830



Visual impact diagram



Beam diagram

