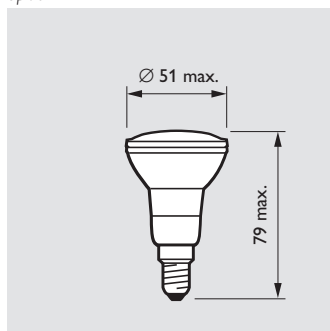


Halogen lamps

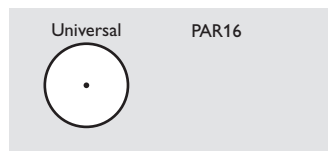
PAR 16 HalogenA



Spot



PAR16 E14 Dimensions in mm



Burning position

Reflector lamps consisting of a mains-voltage hard glass burner optically positioned in a Parabolic, Aluminium-coated, pressed-glass Reflector (PAR) with new optical pressing design.

The sparkling and decorative image of the PAR 16 is emphasised by its modern designed reflector:

Philips' mains-voltage HalogenA philosophy focuses on offering halogen solutions which fit in normal and existing luminaires. Unlike the HalogenA, which is a general-purpose lamp, the PAR 16 bundles the light and is suitable for accent applications.

The combination of the latest optical know-how and the halogen technology results in an intense beam with a clearly defined beam spread. The front glass protects the lamp for safety and from outside elements such as errant fingers and dust which could reduce the light output and affect the sparkling image.

A faceted front glass is used thus ensuring a very homogeneous light distribution.

In a PAR 16 flood application, the faceted front glass prevents glare. The PAR16 HalogenA has a beam spread of 25° - and is a complete retrofit halogen replacement of R50 incandescent reflector lamps.

The PAR 16 also incorporates the features applicable to halogen lamps in general, such as: a luminous flux which remains nearly constant throughout the lamp life; twice the lifetime of a normal incandescent lamp; natural colour rendering (Ra=100); and good luminous efficacy (more light for less energy).

Not only the compactness of halogen light sources, the combination possibilities with modern luminaires and their decorativeness, but especially the bright and sparkling light make halogen a well-loved light source. These general lighting characteristics of halogen support the use of the PAR 16 for accent and display lighting. The excellent colour rendering gives a realistic impression of the objects and during the whole lifetime of the lamp the displayed objects are accentuated according to the initial requirements.

Applications

Indoor

- Accent lighting in shops, especially for valuable goods
- Accent and task lighting in the home

Outdoor

The PAR 16 HalogenA can also be used outdoors, but should be protected from direct water contact. The luminaire, however, must certainly include a waterproof connection between the reflector and the luminaire. The reflector and burner are temperature shock resistant.

Packing data

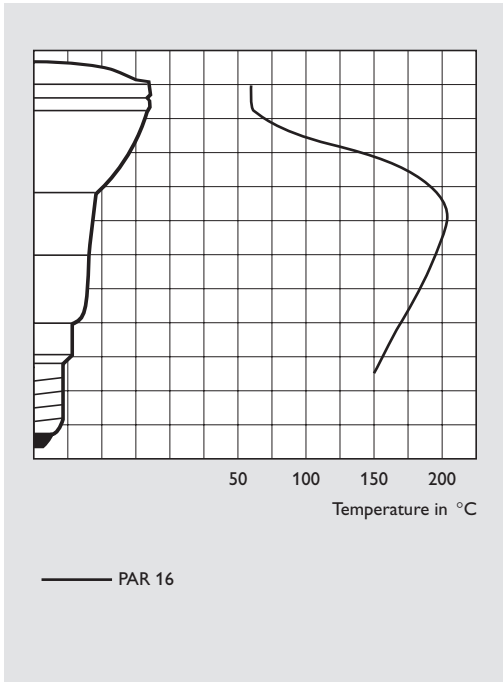
Type	Qty	Gross weight kg	Dimensions l x w x d (mm)
PAR16	1	0.065*)	51 x 51 x 85
PAR16	15	1.2	320 x 210 x 120

*) the weight of only the lamp

Type	V	W	Beam angle	Cap/base	Max luminous intensity cd	Correlated colour temperature K	Lamp life 50% h	Nett weight g	Ordering number	EOC
PAR16	230V	40W	25DGR	E14	950	2700	2000	65	9245 266 44200	497536



PHILIPS



Heat distribution

Luminous intensity distribution and visual impact diagrams

