



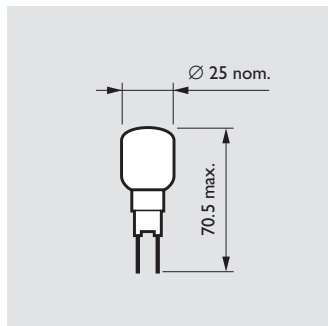
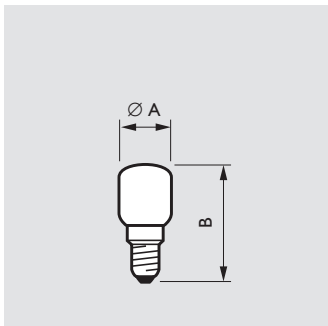
T25 E14



PH5 T-CLICK

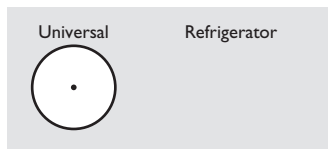


T25 HE *Dimensions in mm*

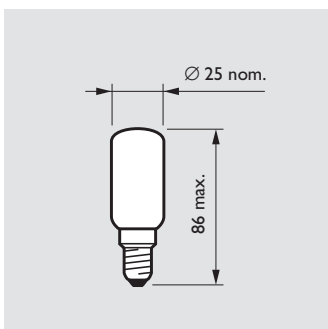


PH5 T-CLICK

Type	A nom.	B max.
Cap/base E14		
T22	22.0	49.0
T25	25.0	57.0



Burning position



With their reinforced filament construction, these lamps are ensured a long useful life in refrigerators and freezers. T-CLICK with integrated lampholder is a completely new way of lighting a refrigerator. Adaptation of the lamp unit, makes it possible to use the T-CLICK lamp, reducing the integral costs of lighting the refrigerator.

The PH-5 lamp is specially developed for Freon-free refrigerators with an internal evaporator with explosive gas (isobutane or cyclopentane). This lamp guarantees 100 % isolation. The Philips 25 W HE incandescent tubular lamp provides the benefits of tungsten halogen lighting at a considerably lower cost and is as easy to install as a conventional mains-voltage incandescent lamp.

This new lamp, is suitable for appliance as well as general lighting. This compact lamp which has a standard E14 cap, has an unusually high light output (220 lm), and provides a cooler light than conventional incandescent lamps; a light quality which is particularly appropriate to refrigerators. Life is comparable with that of a conventional incandescent appliance lamp. Refrigerator lamps have a universal burning position.

- Applications**
- Refrigerators
  - Freezers



Commercial name	Type	W	V	Cap/base	Finish	Lumen output lm	Lamp life 100% h	EOC
<b>10W</b>								
PRACTITONE	T22	10W	120V	E14	CL REFRIG	60	1000	-
PRACTITONE	T25	10W	230-240V	E14	CL REFRIG	35	1000	250438
<b>12W</b>								
PRACTITONE	T22	12W	230-240V	E14	CL REFRIG	65	1000	-
PRACTITONE	T25	12W	230-240V	E14	CL REFRIG	70	1000	251022
<b>15W</b>								
PRACTITONE	T22	15W	125-130V	E14	CL REFRIG	90	1000	-
PRACTITONE	T22	15W	230-240V	E14	CL REFRIG	90	1000	251060
PRACTITONE	T25	15W	125-130V	SPECIAL	CL FLAT	110	1000	-
PRACTITONE	T25	15W	125-130V	E14	CL REFRIG	110	1000	-
PRACTITONE	T25	15W	230-240V	E14	CL REFRIG	110	1000	038517
PRACTITONE	T25	15W	230-240V	HSR E14	CL REFRIG	110	1000	-
PRACTITONE	T25	15W	230-240V	SPECIAL	CL FLAT	110	1000	-
PRACTITONE	T25	15W	240-250V	E14	CL REFRIG	110	1000	-
PRACTITONE	T25	15W	240-250V	SPECIAL	CL PH5	104	1000	-
<b>25W</b>								
PRACTITONE	T25	25W	230-240V	E14	CL REFRIG	172	1000	249814
PRACTITONE	T25	25W	230-240V	HE E14	CL REFRIG	220	1000	-