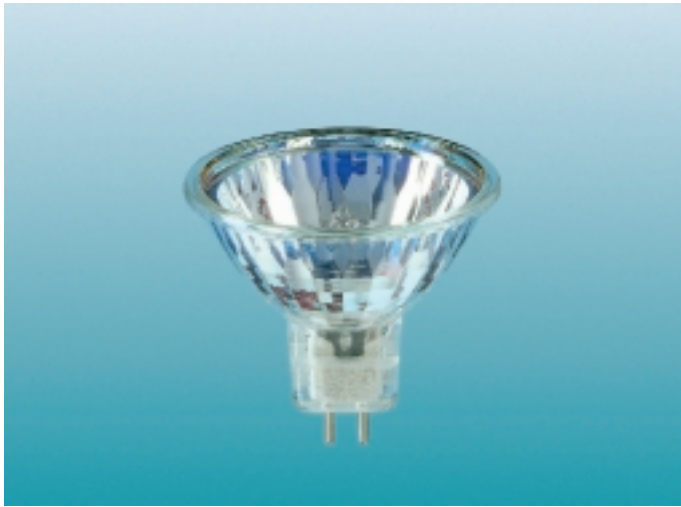


Halogen lamps

Low-voltage dichroic reflector BRILLIANTline PRO



BRILLIANTline PRO (50mm) 36°



BRILLIANTline PRO (50mm) 60°



BRILLIANTline PRO (35mm) 10°



BRILLIANTline PRO (35mm) 30°

Halogen reflector lamps consisting of an extra-low-voltage halogen burner optically positioned in a glass reflector which has a special heat-transmitting and light-reflecting dichroic coating. This combination of the burner and the reflector results in a high-intensity beam with a clearly defined beam spread. The dichroic reflector coating transmits the infrared radiation (heat) backwards through the glass and reflects the visible radiation (light) forward, thus resulting in a cool beam.

Features

The most important features of the BRILLIANTline PRO lamp range are:

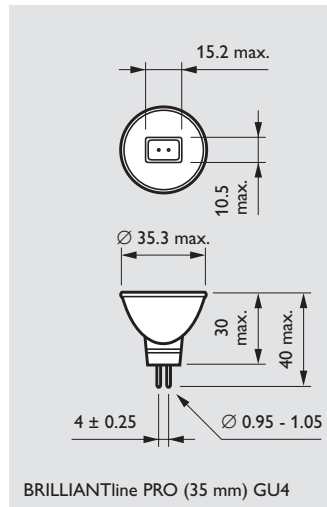
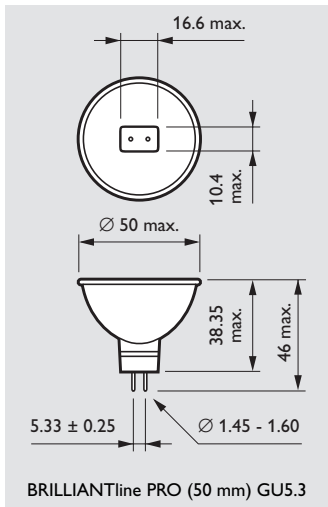
- a high-pressure Xenon gas filled burner
- axial filament optimally aligned in a reflector with hard dichroic coating providing constant high quality, durability, maintenance over lifetime and aesthetics.
- with front glass
- average lifetime of 4000 hrs.
- wide range including 50 and 35mm types.
- colour temperature of up to 3200K
- excellent colour rendering (Ra = 100)
- GU5.3 or GU4 base: extra retention in luminaire
- universal burning position
- dimmable

Applications

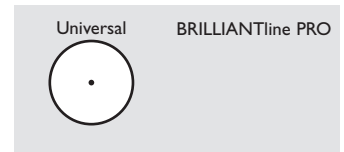
BRILLIANTline PRO lamps are ideally suitable for accent, task and decorative lighting in shops/stores, hotels and restaurants.

Halogen lamps

Low-voltage dichroic reflector BRILLIANTline PRO



Dimensions in mm



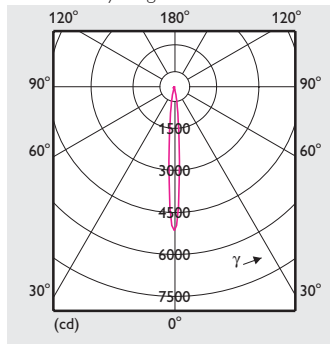
Burning position

Type	V	W	Beam angle	Cap/base	ANSI code	Max. luminous intensity cd	Lamp life 50% h	Ordering number	EOC
14610	12V	20W	10°	GU5.3	ESX	5000	4000	9240 500 17100	424549
14611	12V	20W	24°	GU5.3	BBF	1300	4000	9240 501 17100	424716
14612	12V	20W	36°	GU5.3	BAB	780	4000	9240 502 17100	424846
14613	12V	20W	60°	GU5.3	-	350	4000	9240 503 17100	424877
14614	12V	35W	10°	GU5.3	FRB	8000	4000	9240 504 17100	424907
14615	12V	35W	24°	GU5.3	FRA	3100	4000	9240 505 17100	424938
14616	12V	35W	36°	GU5.3	FMV	1500	4000	9240 506 17100	425041
14617	12V	35W	60°	GU5.3	-	700	4000	9240 507 17100	425072
14618	12V	50W	10°	GU5.3	EXT	13000	4000	9240 508 17100	425102
14619	12V	50W	24°	GU5.3	EXZ	4400	4000	9240 509 17100	425133
14620	12V	50W	36°	GU5.3	EXN	2200	4000	9240 510 17100	425164
14621	12V	50W	60°	GU5.3	FNV	1100	4000	9240 511 17100	425195
14624	12V	20W	10°	GU4	FTB	4800	4000	9240 512 17100	425379
14625	12V	20W	30°	GU4	FTD	690	4000	9240 513 17100	425409
14626	12V	35W	10°	GU4	FTE	7000	4000	9240 514 17100	425430
14627	12V	35W	30°	GU4	FTH	1300	4000	9240 515 17100	425461

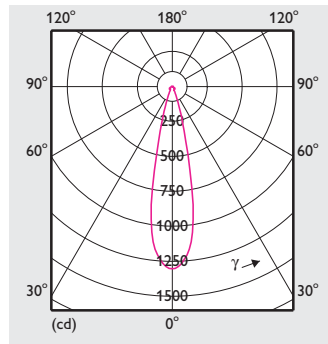
Halogen lamps

Low-voltage dichroic reflector BRILLIANTline PRO

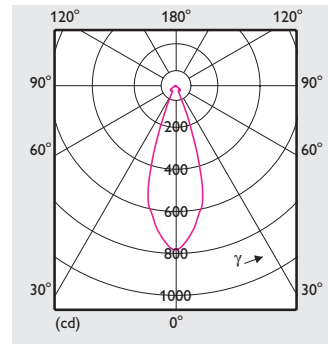
Polar intensity diagrams



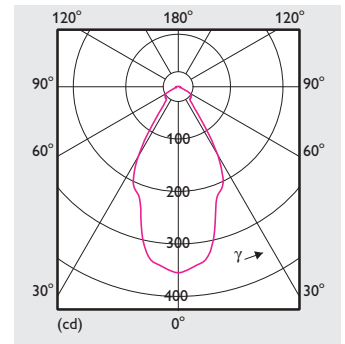
BRILLIANTline PRO 12V 20W 10dgr



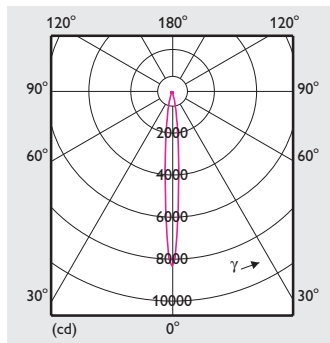
BRILLIANTline PRO 12V 20W 24dgr



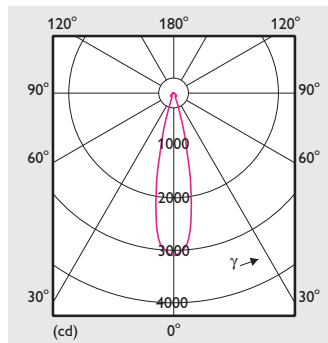
BRILLIANTline PRO 12V 20W 36dgr



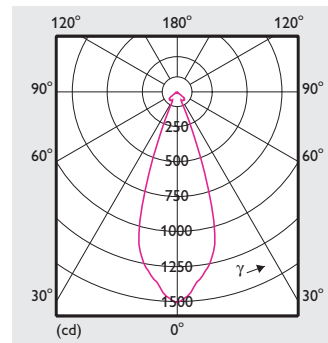
BRILLIANTline PRO 12V 20W 60dgr



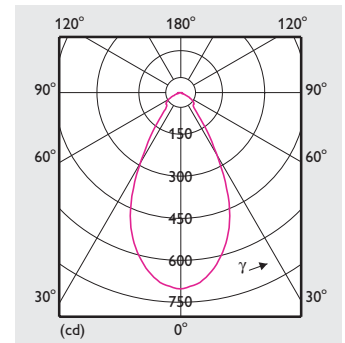
BRILLIANTline PRO 12V 35W 10dgr



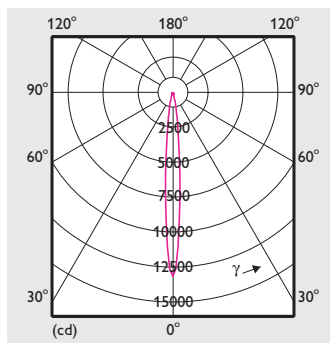
BRILLIANTline PRO 12V 35W 24dgr



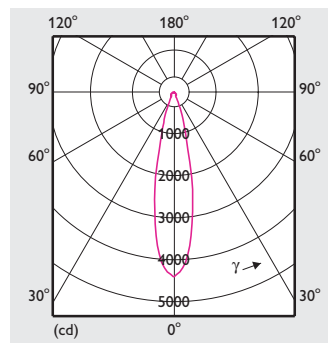
BRILLIANTline PRO 12V 35W 36dgr



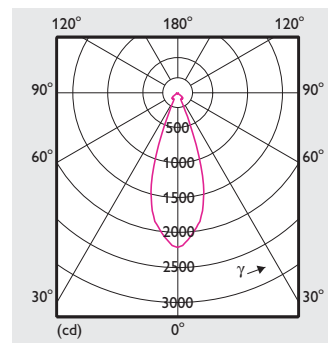
BRILLIANTline PRO 12V 35W 60dgr



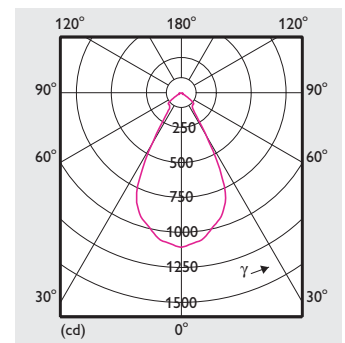
BRILLIANTline PRO 12V 50W 10dgr



BRILLIANTline PRO 12V 50W 24dgr



BRILLIANTline PRO 12V 50W 36dgr



BRILLIANTline PRO 12V 50W 60dgr