



Product brochure

ABB Fusegear InLine

Fuse Switch Disconnecter



XLBM Fuse Switch Disconnecter

XUBM Fuse Rail

BXL Disconnecter

Contents:

- 4 Fuse protection
- 5 General
- 7 Standard apparatus
- 16 IP20 Z-busbar system and accessories
- 18 Electronic Fuse Monitoring (EFM)
- Accessories
 - 19 Common Features XLBM
 - 20 XUBM
 - 21 Current metering
 - 22 XLBM
- 23 Installation
- 25 Cable terminations and cable shrouds
- 28 Technical data
- 30 Ordering tables
- 37 Dimensional drawings

Fuse protection

The fuse is a superior short circuit protection element regarding the maximum allowed cut-off current (peak let through current) and energy value.

This is more important the higher the voltage and prospective fault levels are. The SlimLine switch disconnector fuse fulfils the highest requirements for modern switch fuses with a total safety concept. The switch fuses are tested according to the EN 60947-3 standard with more stringent requirements for isolation, making, performance and safety. The fuse rails are tested according to IEC 60269-2-1.

The melting curves and current limiting diagrams for NH fuse links are given in the IEC 269-2 standard. The standardised fuse characteristics and high degree of current limitation ensure that there is a simple and effective co-ordination with fuse links and other devices.

Fuse links utilise a simple procedure for selecting the right fuse type for your installation, without complicated calculations or calculation tools. Fuses prevent "blackouts". Only the fuse nearest a fault trips without upstream fuses (feeders or mins) being affected. Fuses thus provide selective coordination.

When more power is needed in an installation, more feeders can be added without changing the present structure or any new selectivity calculations. Fuse links will assure selectivity in the installation by 1,6:1 difference in the rated current.

Economical installation

Lifetime costs of fuse systems are low. Fuse links which can withstand a high fault level and a fault current, are available at economical prices.

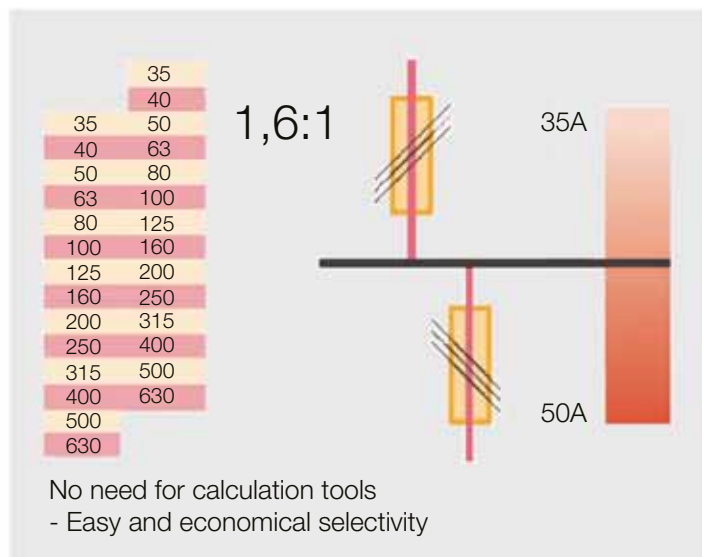
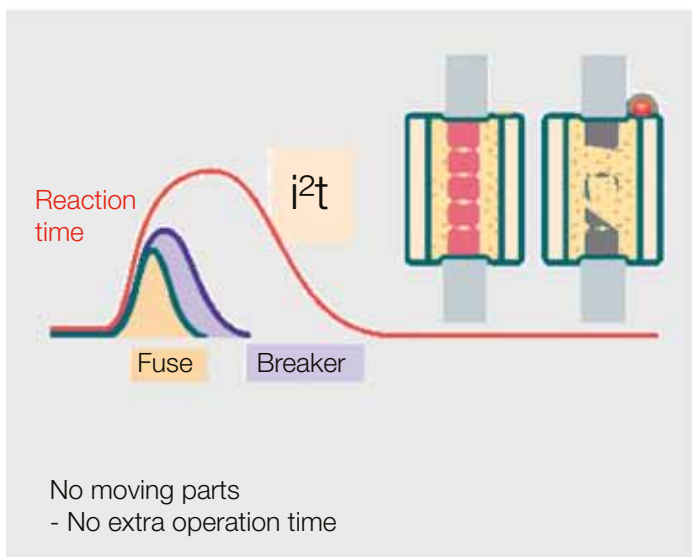
After fuse operation, only the fuse link has to be changed. Because the fuse links can be rapidly and easily replaced, plant down time and maintenance are substantially reduced with a fuse link system.

Because the fusing elements operate in a cylinder, they are not affected by their surroundings. Thus their protecting characteristics remain stable year after year. The dynamic stress on the network and its equipment is dependent of the let through energy (i^2t) at a short circuit. The fuse link provides the best protection compared to other solutions, at high short circuit currents.

As the fuse link body is filled with quartz sand, there will be no emission of gases or arcs when a short circuit occurs. This again leads to less stress on the network and a higher degree of personal safety.

Fuse protection - Easy and reliable

- Economical installation
- Easy and economical selectivity
- No need for calculation tools
- No need to change the present structure when power is needed
- No moving parts
- No extra operation time
- No arc space
- No emission of gasses at short circuits



General

The solution for your distribution

Family presentation

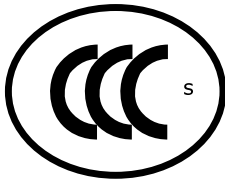
InLine is the generation of vertical fuse switch disconnectors, fuse rails and disconnectors from ABB. ABB has a long tradition in producing these types of devices, and the first generation was introduced already in 1967. The InLine family consists of fuse rails, single pole and triple pole operated fuse switch disconnectors and incoming/outgoing units.

Areas of applications

- Cable distribution cabinets (CDC)
- Low voltage distribution in secondary transformer substations (CSS)
- Distribution boards for industry, housing and office buildings
- Installations



General



Award for Design Excellence
Awarded by the Norwegian Design Council

Protection

- Fully type tested in accordance with IEC 60947-3 and IEC 60269-2-1
- IP30 from the front
- Safe live installation with IP20 system
- V0 – flame retardant materials

Advantages

- Complete range for all applications
- Modern and sturdy design
- Flexibility – snap on solutions
- 185mm busbar distance
- For flat busbar or IP20 Z-profile busbar
- Wide range of accessories
- Possibility of top, bottom or side cable connection
- Available with Electronic Fuse Monitoring (EFM)
- Current metering on both the cable and busbar side and in front



Standard apparatus XUBM Fuse Rail



| | XUBM00 | XUBM1/2/3 |
|---|-----------------|---|
| Fuse link | NH00 | NH1/2/3 |
| Rated current | 160 A | 250 A 400 A 630 A |
| Module width | 50 mm | 100 mm |
| Cable Al/Cu mm ² ¹⁾ | 1,5 - 95 | 95 - 240 |
| Cable terminal ²⁾ | M8 | M12 |
| Order code | 1SEP102110R0101 | XUBM1 - 1SEP102111R0101 XUBM2 - 1SEP102112R0101 XUBM3 - 1SEP102113R0101 |

1) Cable lugs in accordance with DIN 46235 and DIN 46239*
* Al-cable lugs must be tin-coated

2) Cable clamps are available as accessories

Standard apparatus XLBM Fuse Switch



| | XLBM00-3P-100 | XLBM00-1P | XLBM00-3P | XLBM00-3PL-CC |
|---|-----------------|-----------------|-----------------|-----------------|
| Fuse link | NH00 | NH00 | NH00 | NH00 |
| Rated current | 160 A | 160 A | 160 A | 160 A |
| Module width | 50 mm | 50 mm | 50 mm | 50 mm |
| Cable Al/Cu mm ² ¹⁾ | 1,5 - 95 | 1,5 - 95 | 1,5 - 95 | 2,5 - 95 |
| Cable terminal ²⁾ | M8 | M8 | M8 | Cable clamps |
| Order code | 1SEP101818R0002 | 1SEP102140R0101 | 1SEP102140R0121 | 1SEP102140R0143 |

1) Cable lugs in accordance with DIN 46235 and DIN 46239*
* Al-cable lugs must be tin-coated

2) Cable clamps are available as accessories

Standard apparatus XLBM Fuse Switch



| | XLBM1/2/3-1P | XLBM1/2/3-3P | XLBM800A/1250A-1P | XLBM800A/1250A-3P |
|---|---|---|---|---|
| Fuse link | NH1/2/3 | NH1/2/3 | NH1/2/3 | NH1/2/3 |
| Rated current | 250 A 400 A 630 A | 250 A 400 A 630 A | 800 A 1250 A | 800 A 1250 A |
| Module width | 100 mm | 100 mm | 200 mm | 200 mm |
| Cable Al/Cu mm ² ¹⁾ | 95 - 240 | 95 - 240 | 4 x 240 | 4 x 240 |
| Cable terminal ²⁾ | M12 | M12 | 4 x M12 | 4 x M12 |
| Order code | XLBM1 - 1SEP102141R0101 XLBM2 - 1SEP102142R0101 XLBM2Cu+ - 1SEP408492R0001 XLBM3 - 1SEP102143R0101 XLBM3Cu+ - 1SEP102400R0200 | XLBM1 - 1SEP102141R0121 XLBM2 - 1SEP102142R0121 XLBM2Cu+ - 1SEP408493R0001 XLBM3 - 1SEP102143R0121 XLBM3Cu+ - 1SEP102400R0220 | 800A - 1SEP102173R0002 1250A - 1SEP102173R0001 | 800A - 1SEP102174R0002 1250A - 1SEP102174R0001 |

1) Cable lugs in accordance with DIN 46235 and DIN 46239*
* Al-cable lugs must be tin-coated

2) Cable clamps are available as accessories

Standard apparatus XLBM 910A



| | XLBM 910A-1P-MB | XLBM 910A-3P-MB |
|----------------|------------------------|------------------------|
| Fuse link | NH3 910A gTr | NH3 910A gTr |
| Rated current | 910 A | 910 A |
| Rated voltage | 400 V | 400 V |
| Module width | 100 mm | 100 mm |
| Cable terminal | 1 x M12 | 1 x M12 |
| Order code | 1SEP102401R0100 | 1SEP102401R0120 |

Standard apparatus BXL Disconnecter



| | BXL1000A-1P (-MB) | BXL1000A-3P (-MB) | BXL1250A/1600A-1P | BXL1600A-3P | BXL2000A-1P-MB | BXL2000A-3P-MB |
|---|--|--|--|---------------------------|---------------------------|---------------------------|
| Fuse link | Solid links ³⁾ | Solid links ³⁾ | Solid links ³⁾ | Solid links ³⁾ | Solid links ³⁾ | Solid links ³⁾ |
| Rated current | 1000 A | 1000 A | 1250 A 1600 A | 1600 A | 2000 A | 2000 A |
| Module width | 100 mm | 100 mm | 200 mm | 200 mm | 200 mm | 200 mm |
| Cable Al/Cu mm ² ¹⁾ | 2 x 240 | 2 x 240 | 4 x 240 | 4 x 240 | 4 x 240 | 4 x 240 |
| Cable terminal ²⁾ | 2 x M12 | 2 x M12 | 4 x M12 | 4 x M12 | 4 x M12 | 4 x M12 |
| Order code | 1SEP102402R0210 MB -1SEP102402R0100 | 1SEP102402R0220 MB -1SEP102402R0120 | 1250A - 1SEP102191R0002 1600A - 1SEP102191R0001 | 1SEP102191R0003 | 1SEP102403R0100 | 1SEP102403R0120 |

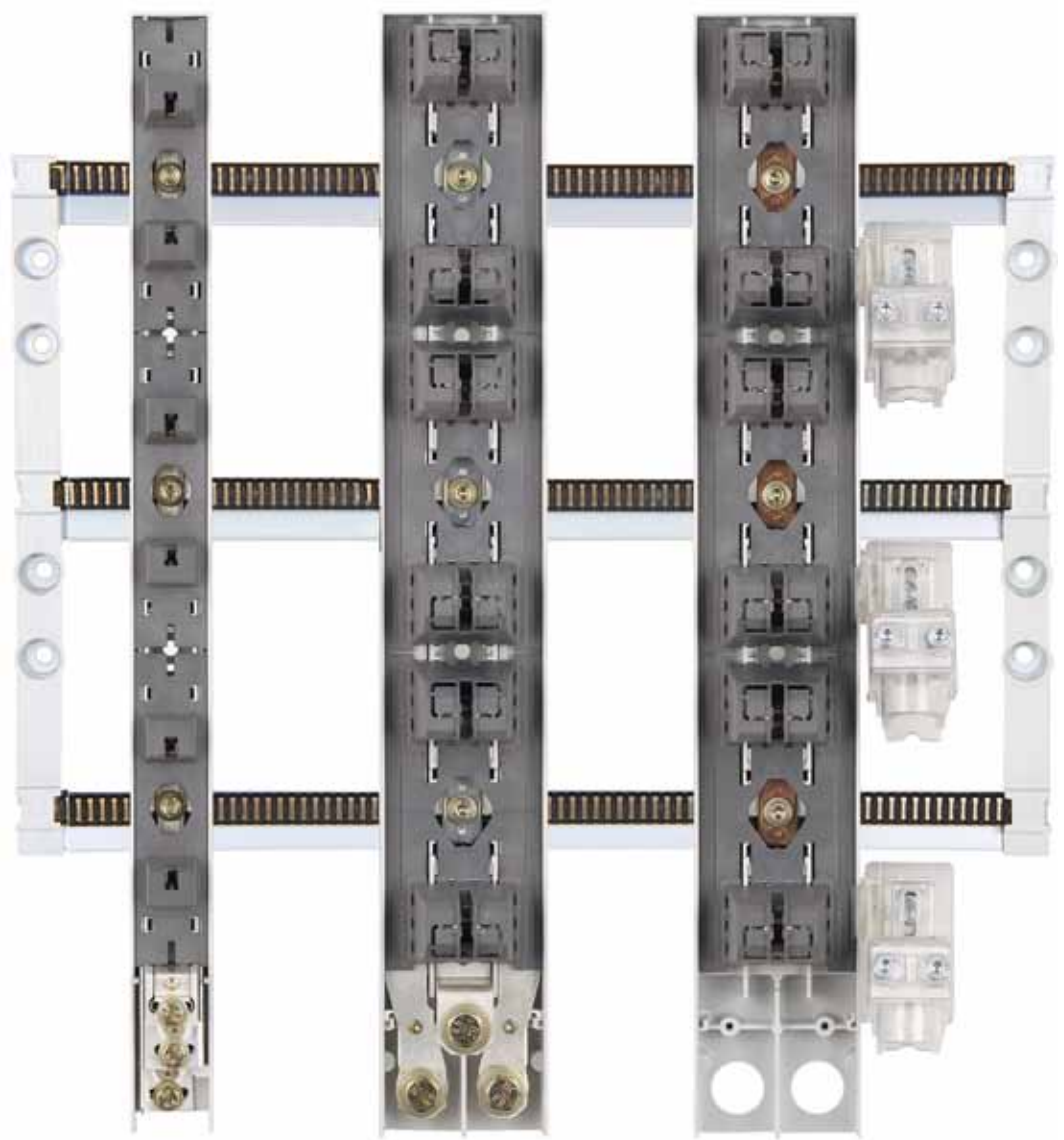
1) Cable lugs in accordance with DIN 46235 and DIN 46239*
* Al-cable lugs must be tin-coated

2) Cable class B, PEX isolated or similar

3) The solid links are included

Standard apparatus

XUBM-Z Fuse Rail with hooked clamp



| | XUBM00-Z | XUBM1/2/3-Z | XUBM1/2/3-ZS |
|---|-----------------|---|---|
| Fuse link | NH00 | NH1/2/3 | NH1/2/3 |
| Rated current | 160 A | 250 A 400 A 630 A | 250 A 400 A 630 A |
| Module width | 50 mm | 100 mm | 150 mm |
| Cable Al/Cu mm ² ¹⁾ | 1,5 - 95 | 95 - 240 | 50 - 300 |
| Cable terminal ²⁾ | M8 | M12 | Clamps |
| Order code | 1SEP102110R0201 | XUBM1 - 1SEP102111R0201 XUBM2 - 1SEP102112R0201 XUBM3 - 1SEP102113R0201 | XUBM1 - 1SEP102111R0405 XUBM2 - 1SEP102112R0405 XUBM3 - 1SEP102113R0405 |

1) Cable lugs in accordance with DIN 46235 and DIN 46239*
* Al-cable lugs must be tin-coated

2) Cable class B, PEX isolated or similar

Standard apparatus

XLBM 1-pole with hooked clamp



| | XLBM00-1P-Z | XLBM1/2/3-1P-Z | XLBM1/2/3-1P-ZS | XLBM1/2/3-1P-Z2S |
|---|-----------------|---|---|---|
| Fuse link | NH00 | NH1/2/3 | NH1/2/3 | NH1/2/3 |
| Rated current | 160 A | 250 A 400 A 630 A | 250 A 400 A 630 A | 250 A 400 A 630 A |
| Module width | 50 mm | 100 mm | 150 mm | 208 mm |
| Cable Al/Cu mm ² ¹⁾ | 1,5 - 95 | 95 - 240 | 50 - 300 | 2 x 50 - 300 |
| Cable terminal ²⁾ | M18 | M12 | Clamps | Clamps |
| Order code | 1SEP102140R0201 | XLBM1-1SEP102141R0201 XLBM2-1SEP102142R0201 XLBM3-1SEP102143R0201 | XLBM1-1SEP102141R0401 XLBM2-1SEP102142R0401 XLBM3-1SEP102143R0401 | XLBM1-1SEP102141R0501 XLBM2-1SEP102142R0501 XLBM3-1SEP102143R0501 |

1) Cable lugs in accordance with DIN 46235 and DIN 46239*
* Al-cable lugs must be tin-coated

2) Cable class B, PEX isolated or similar

Standard apparatus

XLBM 3-pole with hooked clamp



| | XLBM00-3P-Z | XLBM1/2/3-3P-Z | XLBM1/2/3-3P-ZS | XLBM1/2/3-3P-Z2S |
|---|-----------------|---|---|---|
| Fuse link | NH00 | NH1/2/3 | NH1/2/3 | NH1/2/3 |
| Rated current | 160 A | 250 A 400 A 630 A | 250 A 400 A 630 A | 250 A 400 A 630 A |
| Module width | 50 mm | 100 mm | 150 mm | 208 mm |
| Cable Al/Cu mm ² ¹⁾ | 1,5 - 95 | 95 - 240 | 50 - 300 | 2 x 50 - 300 |
| Cable terminal ²⁾ | M8 | M12 | Clamps | Clamps |
| Order code | 1SEP102140R0221 | XLBM1-1SEP102141R0221 XLBM2-1SEP102142R0221 XLBM3-1SEP102143R0221 | XLBM1-1SEP102141R0421 XLBM2-1SEP102142R0421 XLBM3-1SEP102143R0421 | XLBM1-1SEP102141R0521 XLBM2-1SEP102142R0521 XLBM3-1SEP102143R0521 |

1) Cable lugs in accordance with DIN 46235 and DIN 46239*
* Al-cable lugs must be tin-coated

2) Cable class B, PEX isolated or similar

Standard apparatus BXL and XLBM with hooked clamp



| | BXL1000A-1P-Z | BXL1000A-3P-Z | XLBM800A/1250A-1P-Z | XLBM800A/1250A-3P-Z |
|---|---------------------------|---------------------------|---|---|
| Fuse link | Solid links ³⁾ | Solid links ³⁾ | NH2/3 | NH2/3 |
| Rated current | 1000 A | 1000 A | 800 A 1250 A | 800 A 1250 A |
| Module width | 50 mm | 100 mm | 200 mm | 200 mm |
| Cable Al/Cu mm ² ¹⁾ | 2 x 240 | 2 x 240 | 4 x 240 | 4 x 240 |
| Cable terminal ²⁾ | 2 x M12 | 2 x M12 | 4 x M12 | 4 x M12 |
| Order code | 1SEP1021480R0201 | 1SEP102148R0221 | 800A - 1SEP102173R0004 1250A - 1SEP102173R0003 | 800A - 1SEP102174R0004 1250A - 1SEP102174R0003 |

1) Cable lugs in accordance with DIN 46235 and DIN 46239*
* Al-cable lugs must be tin-coated
Al conductors have to be brushed and greased before connection

2) Cable class B, PEX isolated or similar

3) The solid links are included

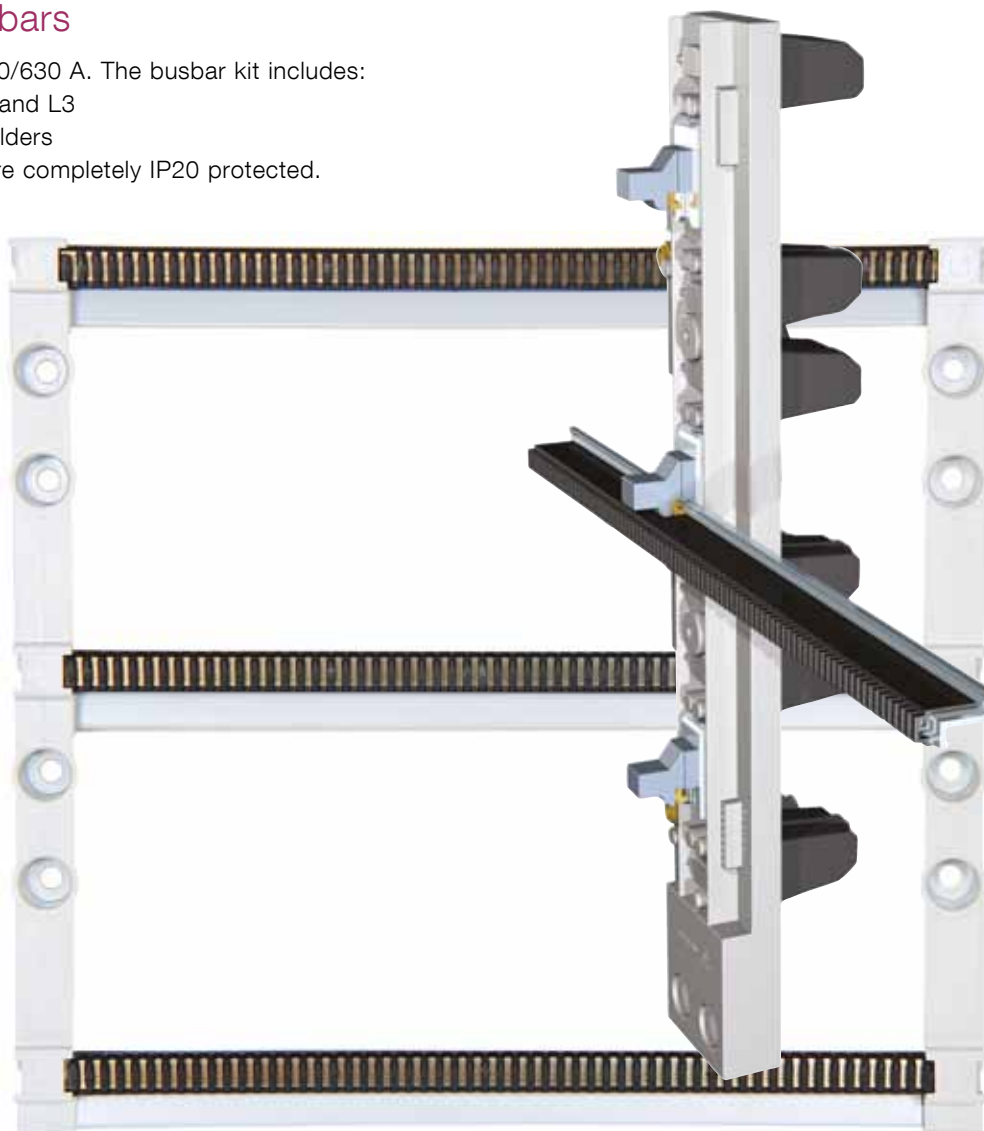
IP20 Z-busbar system and accessories

IP20 Z-busbars

Z-busbars for 400/630 A. The busbar kit includes:

- Busbar L1, L2 and L3
- Two busbar holders

The Z-busbars are completely IP20 protected.



BZ 400 A

| Type | Rated current | Width | Order code |
|-------------------|---------------|--------|-----------------|
| DCN00-Z400A/445-P | 400 A | 445 mm | 1SEP201621R0001 |
| DCN0-Z400A/578-P | 400 A | 578 mm | 1SEP201621R0002 |
| DCN1-Z400A/774-P | 400 A | 774 mm | 1SEP201621R0004 |

BZ 630 A

| Type | Rated current | Width | Order code |
|-------------------|---------------|---------|-----------------|
| DCN00-Z630A/578-P | 630 A | 578 mm | 1SEP201621R0003 |
| DCN0-Z630A/774-P | 630 A | 774 mm | 1SEP201621R0005 |
| DCN1-Z630A/1105-P | 630 A | 1105 mm | 1SEP201621R0006 |

XUBM-Z and XLBM-Z may be hooked on:

- Z busbars
- Standard flat busbars, Al/Cu

IP20 Z-busbar system and accessories

Modules with hooked clamp (Z)



Diazed fuse rail



Feeding clamp for IP20 Z-busbar



| | AKZD 95 | AKKZ 300 | LDL 63/3 |
|-----------------------------|---------------------|-----------------|-----------------|
| Rated current | 160 A | 630 A | 63 A |
| Module width | 35 mm | 55 mm | 105 mm |
| Cable Al/Cu mm ² | 6 - 95 / 2 x 6 - 50 | 50 - 300 | 6 - 25 |
| Order code | 1SEP731594R0001 | 1SEP731521R0001 | 1SEP731530R0001 |

Electronic Fuse Monitoring (EFM)



Electronic Fuse Monitoring (EFM)

The fuse monitor is a fuse blown monitoring and indication device. The voltage supply to the internal electronic device is supported directly by connection to the internal fuse holders.

In case of a blown fuse, the internal relay will trip giving possible remote alarm.

Additionally the green LED lamp in the front will change to red.

After replacement to a new fuse link, the relay will automatically be reset *.

NOTE: The fuse monitor requires supply from the busbar side.

| Technical data: | |
|---|--------------------------------------|
| Minimum operation voltage | 340V |
| Maximum operation voltage | 770V |
| Uimp. over a blown fuse | 12,3kV |
| Uimp. between phases | 9,8kV |
| Uimp. between main circuit / relay contacts | 9,8kV |
| Dielectric test voltage input / output | 3,5kV / 50Hz / 1 minute |
| Electrostatic Discharge | EN 61000-4-2 ± 4kV |
| Electrical Fast Transient | EN 61000-4-4 ± 2kV |
| Conducted Fast Transient | EN 61000-4-6 10Vrms / 150kHz - 80MHz |
| Wire size | AWG 22-12/0,2-2,5mm ² |
| EMC tested | Yes |
| Relay: | |
| Nominal current | 8A |
| Maximum switching voltage | 240VAC, 24VDC |

The Matrix below show all possible cases of indication

| Fuse status | LED | | Relay contacts | | | |
|-------------|-----------|---------|-------------------|--------|-------------------|--------|
| | Green LED | Red LED | NO contact 13, 14 | | NC contact 21, 22 | |
| | | | Open | Closed | Open | Closed |
| 1. Closed | | | | | | |
| Fuses OK | ● | ● | X | | | X |
| Fuses BLOWN | ● | ● | | X | X | |
| 2. Open | | | | | | |
| Fuses OK | ● | ● | X | | | X |
| Fuses BLOWN | ● | ● | X | | | X |

Power supply to the EFM unit from phase L2 and L3

* NB! If, when a fuse is blown, there is a loss in the power supply voltage, it must be for minimum period of 10 seconds to ensure the correct reset of the relay.

Accessories

Common features XLBM

Sealing



**Padlock –
closed position**



**Padlock –
open position**

Voltage
measurement

Interlocks with
cable shroud

Accessories XUBM



Fuse protection cover
– IP20 protection during service work
– requires phase barrier kit



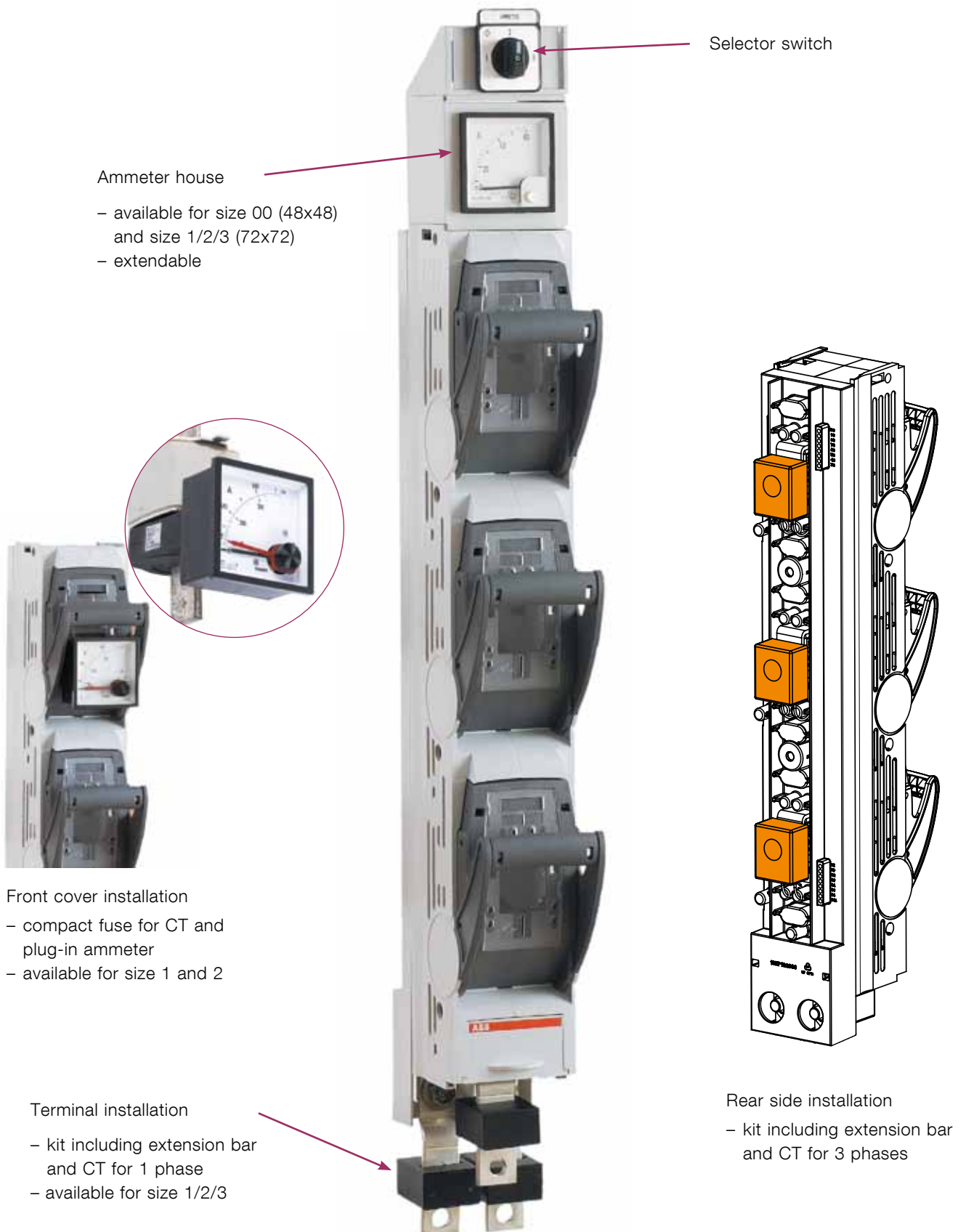
Cable shroud



Phase barrier kit
– for segregation of each phase

Accessories

Current metering



Ammeter house

- available for size 00 (48x48) and size 1/2/3 (72x72)
- extendable

Selector switch

Front cover installation

- compact fuse for CT and plug-in ammeter
- available for size 1 and 2

Terminal installation

- kit including extension bar and CT for 1 phase
- available for size 1/2/3

Rear side installation

- kit including extension bar and CT for 3 phases

Accessories XLBM

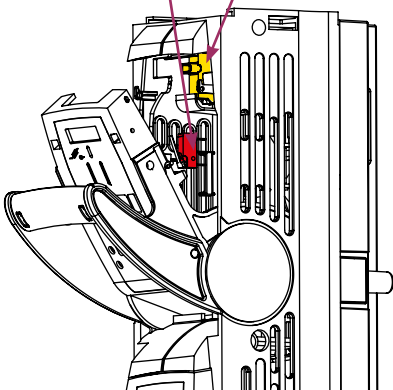


Label holder

Micro switch
– one or two per phase



Auxiliary switch

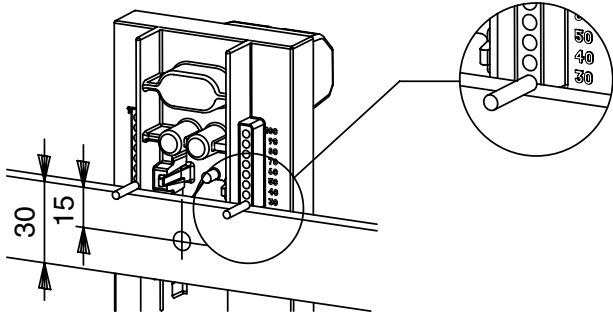


Huckepack
– for temporary additional
output



Cable shroud

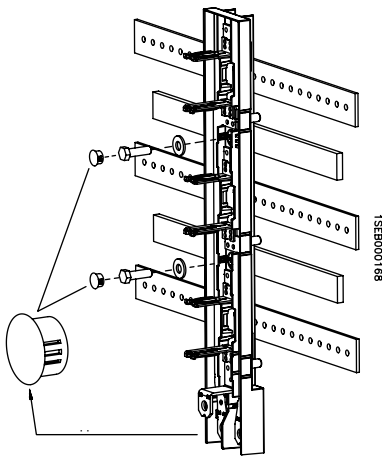
Installation



1SEB000104

Guide marks

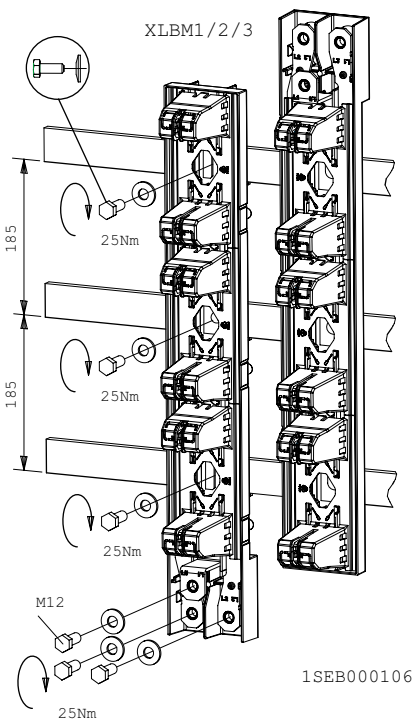
In the back of the fuse rail it is printed "guide marks". This makes it easier to mark drilling holes in the busbar.



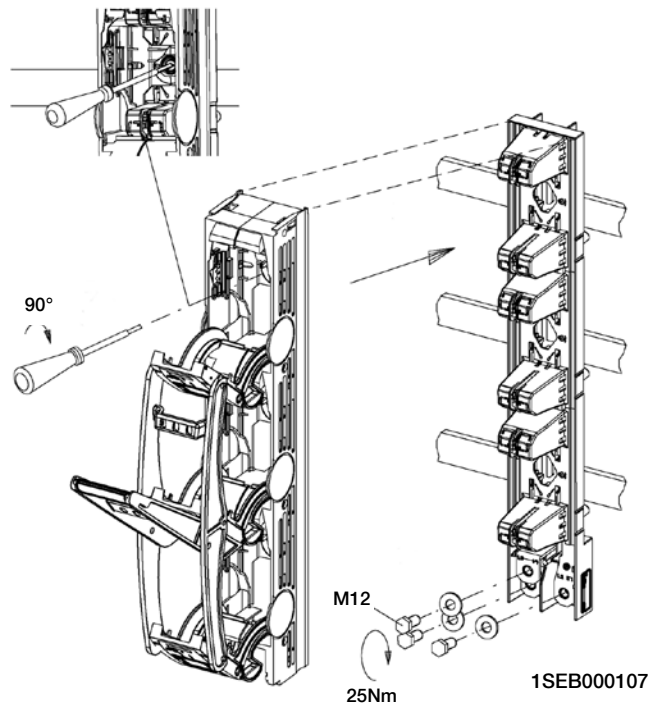
Insulation plugs

By use of support bars, XLBM123 Insulation plugs for support busbars (1SEP408429R0001) are available.

Top/bottom cable termination

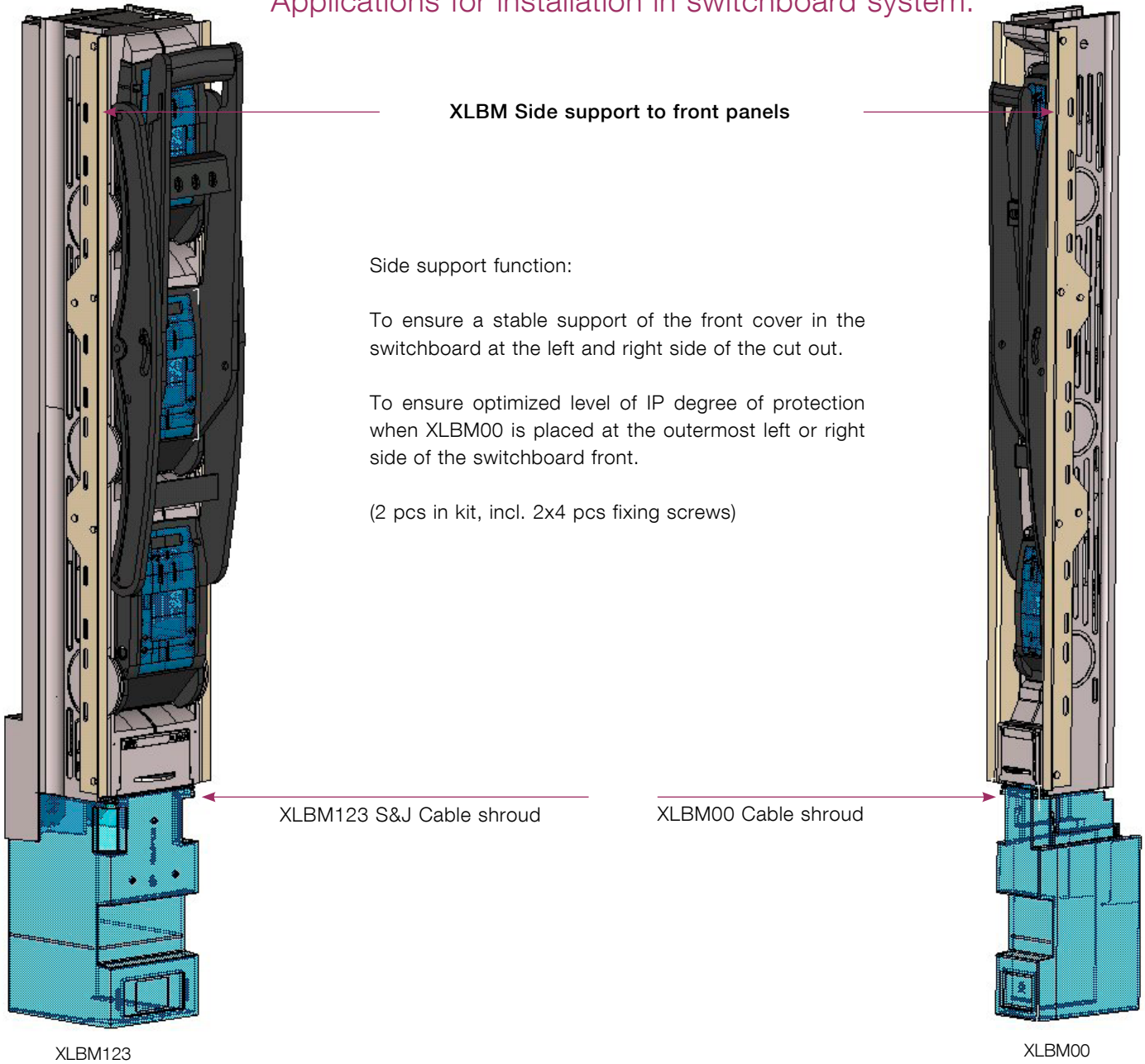


Fixing the fuse switch housing



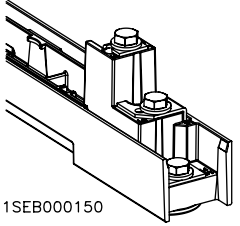
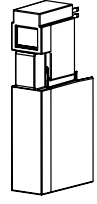
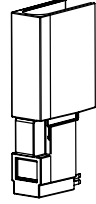
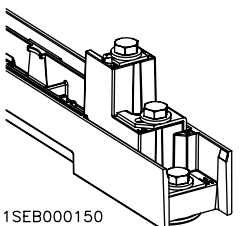

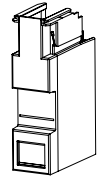
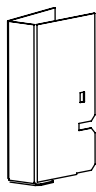
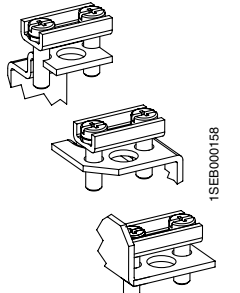

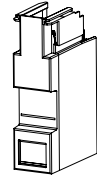
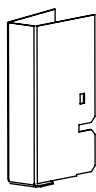
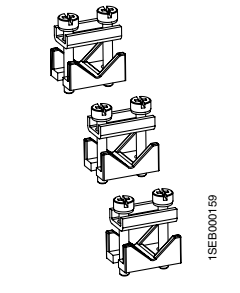

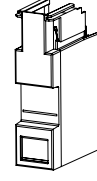
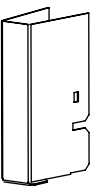
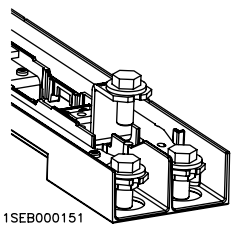
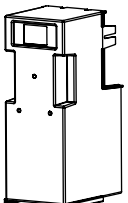
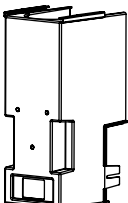
Installation

Applications for installation in switchboard system.

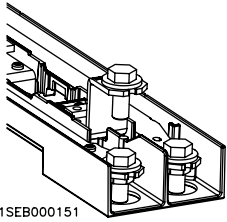
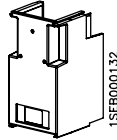
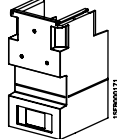
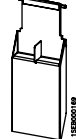
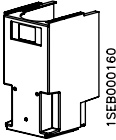
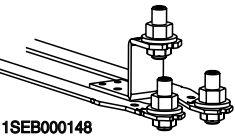
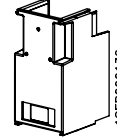
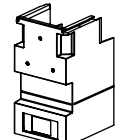
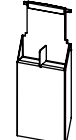
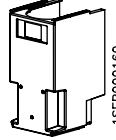
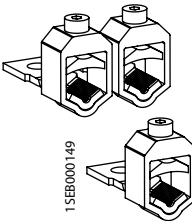
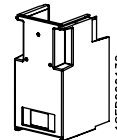
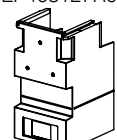
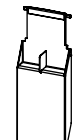
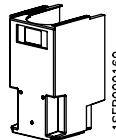


| Type designation | Suitable for | Order code |
|-----------------------------------|--------------|-----------------|
| XLBM00 Cable shroud H=185mm | XLBM00 | 1SEP408126R0001 |
| XLBM123 Cable shroud for S&J | XLBM1,2,3 | 1SEP408418R0001 |
| XLBM Side support to front panels | XLBM00,1,2,3 | 1SEP408416R0001 |

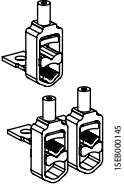
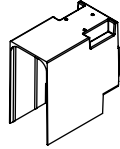
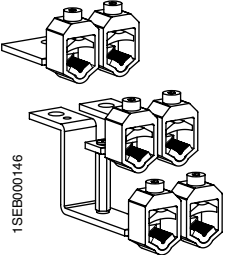
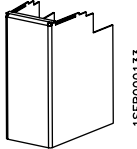
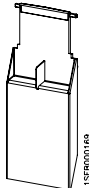
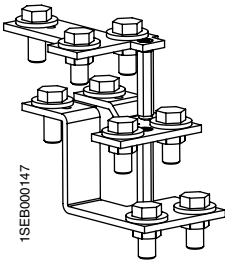
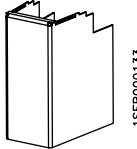
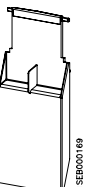
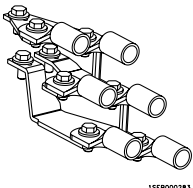
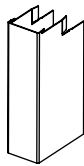
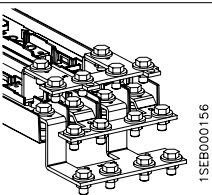
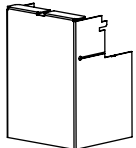
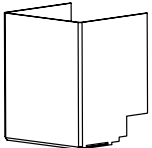
Cable terminations and Cable shrouds

| | Type of clamp/bolt with order code | Conductor cross section min-max | | Torque (Nm) | Type of cable shroud down with order code | Type of cable shroud up with order code |
|---|---|---------------------------------|--------------------------|-------------|--|--|
| | | Rm/Sm (mm ²) | Re/Se (mm ²) | | | |
| XUBM00 | | | | | | |
|  1SEB000150 | Bolt (Standard) | Max 95 | Max 95 | 10 |  1SEB000152 1SEP408124R0001 |  1SEB000153 1SEP408124R0001 |
| XLBM00 | | | | | | |
|  1SEB000150 | Bolt (Standard) | Max 95 | Max 95 | 10 |  1SEP408128R0001  1SEB000151 1SEP408126R0001 |  1SEB000141 1SEP408255R0001 |
|  1SEB000158 | Bridge clamp (BC) 1SEP407733R0001 | 1,5 - 50 | 1,5 - 50 | 3,5 |  1SEP408128R0001  1SEB000151 1SEP408126R0001 |  1SEB000141 1SEP408255R0001 |
|  1SEB000159 | Single Prism clamp (SPC) 1SEP407732R0005 | 1,5 - 95 | 1,5 - 95 | 3,5 |  1SEP408128R0001  1SEB000151 1SEP408126R0001 |  1SEB000141 1SEP408255R0001 |
| XUBM1/2/3 | | | | | | |
|  1SEB000151 | Bolt (Standard) | Max 240 | Max 240 | 25 |  1SEB000154 1SEP408125R0001 |  1SEB000155 1SEP408125R0001 |

Cable terminations and Cable shrouds

| | Type of clamp/bolt with order code | Conductor cross section min-max | | Torque (Nm) | Type of cable shroud down with order code | Type of cable shroud up with order code |
|---|--|--|--|-------------|--|--|
| | | Rm/Sm (mm ²) | Re/Se (mm ²) | | | |
| XLBM1/2/3 | | | | | | |
|  <p>1SEB000151</p> | Bolt /Standard) | Max 240 | Max 240 | 25 |  <p>1SEP408127R0001</p>  <p>1SEP408418R0001</p>  <p>1SEP408413R0002/3</p> |  <p>1SEP408127R0001</p> |
|  <p>1SEB000148</p> | M12 Terminal stud bolts 1SEP408259R0001 | Max 240 | Max 240 | 25 |  <p>1SEP408127R0001</p>  <p>1SEP408418R0001</p>  <p>1SEP408413R0002/3</p> |  <p>1SEP408127R0001</p> |
|  <p>1SEB000149</p> | V-clamp kit NOTE! Pressure pad can be turned 1SEP304446R0001 | Rm: 16 - 35 50 - 185 Sm: 35 - 50 70 - 240 | Re: 16 - 70 70 - 150 Se: 35 - 70 95 - 300 | 25 |  <p>1SEP408127R0001</p>  <p>1SEP408418R0001</p>  <p>1SEP408413R0002/3</p> |  <p>1SEP408127R0001</p> |

Cable terminations and Cable shrouds

| | Type of clamp/bolt with order code | Conductor cross section min-max | | Torque (Nm) | Type of cable shroud down with order code | Type of cable shroud up with order code |
|---|--|--|--|-------------|--|--|
| | | Rm/Sm (mm ²) | Re/Se (mm ²) | | | |
| XLBM1/2/3 | | | | | | |
|  | Double V-clamp kit for CDC 1SEP304457R0001 | Rm: 2 x 50 - 185 Sm: 2 x 95 - 240 | Re: 2 x 70 - 240 Se: 2 x 120 - 300 | 22 |  1SEP305089R0001 | |
|  | Double V-clamp kit for switchboards 1SEP408268R0001 | Rm: 2 x 16 - 35 2 x 50 - 185 Sm: 2 x 35 - 50 2 x 70 - 240 | Re: 2 x 16 - 70 2 x 70 - 150 Se: 2 x 35 - 70 2 x 95 - 300 | 25 |  1SEP408261R0001  1SEP408413R0002/3 | |
| XLBM1/2/3 and BXL1000A | | | | | | |
|  | Double cable lug kit 1SEP304546R0001 | 2 x Max 240 | 2 x Max 240 | 25 |  1SEP408261R0001  1SEP408413R0002/3 | |
|  | Bolt kit 1SEP408687R0001 | 2 x Max 300 | 2 x Max 300 | 25 |  1SEP408765R0001 | |
| XLBM800A/1250A, BXL1000A(-MB), 1250A/1600A/2000A-MB | | | | | | |
|  | Bolt (Standard) 1SEP000156 | 4 x Max 240 | 4 x Max 240 | 25 |  1SEP408310R0001 |  1SEP408339R0001 |

Technical data

XUBM Fuse Rail

| | | XUBM00 | XUBM1 | XUBM2 | XUBM3 |
|---|---------|---------|---------|---------|---------|
| For NH fuse links acc. to IEC60269-2-1 | | 00 | 1 | 2 | 3 |
| Rated operational voltage U _e | (V) | 690 | 690 | 690 | 690 |
| Rated operational current I _e | (A) | 160 | 250 | 400 | 630 |
| Rated insulation voltage U _i | (V) | 1000 | 1000 | 1000 | 1000 |
| Conditional short circuit current - with fuse links | (kArms) | 50 | 50 | 50 | 50 |
| Rated frequency | (Hz) | 50 - 60 | 50 - 60 | 50 - 60 | 50 - 60 |
| Degree of protection from the front acc. to IEC60529 *) | | IP20 | IP20 | IP20 | IP20 |

*) With fuse protection cover or isolated gripping lugs

XLBM Fuse Switch Disconnecter

| | | XLBM00-3P-100 | | | XLBM00-3PL-CC | | | XLBM00 | | | |
|---|---------|---------------|---------|-------|---------------|---------|-------|--------|---------|-------|--|
| For NH fuse links acc. to IEC60269-2-1 | | 00 | | | 00 | | | 00 | | | |
| Rated operational voltage U _e | (V) | 400 | 400 | 500 | 400 | 500 | 690 | 400 | 500 | 690 | |
| Rated operational current I _e | (A) | 160 | 160 | 160 | 160 | 160 | 125 | 160 | 160 | 125 | |
| Thermal current w/fuse link I _{th} | (A) | 160 | 160 | | | 160 | | | 160 | | |
| Rated insulation voltage U _i | (V) | 1000 | 1000 | | | 1000 | | | 1000 | | |
| Rated impulse withstand voltage U _{imp} | (kV) | 8 | 8 | | | 8 | | | 8 | | |
| Rated conditional short circuit withstand | (kArms) | 50 | 50 | | | 50 | | | 50 | | |
| Rated conditional short circuit making | (kArms) | 50 | 50 | | | 50 | | | 50 | | |
| Rated making and breaking capacity | | AC22B | AC23B | AC22B | AC23B | AC22B | AC21B | AC23B | AC22B | AC21B | |
| Rated frequency | (Hz) | 50 - 60 | 50 - 60 | | | 50 - 60 | | | 50 - 60 | | |
| Degree of protection from the front acc. to IEC60529 *) | Open | IP20 | IP20 | | | IP20 | | | IP20 | | |
| | Closed | IP30 | IP30 | | | IP30 | | | IP30 | | |

| | | XLBM1 | | | XLBM2 | | | XLBM3 | | |
|---|---------|---------|-------|-------|---------|-------|-------|---------|-------|-------|
| For NH fuse links acc. to IEC60269-2-1 | | 1 | | | 2 | | | 2/3 | | |
| Rated operational voltage U _e | (V) | 400 | 500 | 690 | 400 | 500 | 690 | 400 | 500 | 690 |
| Rated operational current I _e | (A) | 250 | 250 | 200 | 400 | 400 | 315 | 630 | 630 | 500 |
| Thermal current w/fuse link I _{th} | (A) | 250 | | | 400 | | | 630 | | |
| Rated insulation voltage U _i | (V) | 1000 | | | 1000 | | | 1000 | | |
| Rated impulse withstand voltage U _{imp} | (kV) | 8 | | | 8 | | | 8 | | |
| Rated conditional short circuit withstand | (kArms) | 50 | | | 50 | | | 50 | | |
| Rated conditional short circuit making | (kArms) | 50 | | | 50 | | | 50 | | |
| Rated making and breaking capacity | | AC23B | AC22B | AC21B | AC23B | AC22B | AC21B | AC23B | AC22B | AC21B |
| Rated frequency | (Hz) | 50 - 60 | | | 50 - 60 | | | 50 - 60 | | |
| Degree of protection from the front acc. to IEC60529 *) | Open | IP20 | | | IP20 | | | IP20 | | |
| | Closed | IP30 | | | IP30 | | | IP30 | | |

Technical data

XLBM Fuse Switch Disconnecter

| | | XLBM2 Cu+ | XLBM3 Cu+ | XLBM800A | XLBM1250A |
|--|---------|-----------|-----------|----------|-----------|
| For NH fuse links acc. to IEC60269-2-1 | | 2 | 3 | 2 | 3 |
| Rated operational voltage Ue | (V) | 500 | 415 | 500 | 500 |
| Rated operational current Ie | (A) | 400 | 630 | 800 | 1250 |
| Thermal current w/fuse link Ith | (A) | 400 | 630 | 800 | 1250 |
| Rated insulation voltage Ui | (V) | 1000 | 1000 | 1000 | 1000 |
| Rated impulse withstand voltage Uimp | (kV) | 8 | 8 | 8 | 8 |
| Rated conditional short circuit withstand | (kArms) | 50 | 50 | 50 | 50 |
| Rated conditional short circuit making | (kArms) | 30 | 30 | 50 | 50 |
| Rated making and breaking capacity | | AC22B | AC22B | AC21B | AC21B |
| Rated frequency | (Hz) | 50 - 60 | 50 - 60 | 50 - 60 | 50 - 60 |
| Degree of protection from the front acc. to IEC60529 *) | Open | IP20 | IP20 | IP20 | IP20 |
| | Closed | IP30 | IP30 | IP30 | IP30 |

XLBM 910A and BXL Disconnecter

| | | XLBM 910A | BXL1000A | BXL1000A-MB |
|---|---------|-----------|----------|-------------|
| Rated operational voltage Ue | (V) | 400 | 500 | 500 |
| Rated operational current Ie | (A) | 910 | 1000 | 1000 |
| Thermal current w/fuse link Ith | (A) | 910 | 1000 | 1000 |
| Rated insulation voltage Ui | (V) | 1000 | 1000 | 1000 |
| Rated impulse withstand voltage Uimp | (kV) | 8 | 8 | 8 |
| Rated conditional short circuit withstand | (kArms) | 25 | NA | NA |
| Rated conditional short circuit making | (kArms) | 25 | NA | NA |
| Rated making and breaking capacity | | AC22B | AC22B | AC22B |
| Rated frequency | (Hz) | 50 - 60 | 50 - 60 | 50 - 60 |
| Degree of protection from the front acc. | Open | IP20 | IP20 | IP20 |
| | Closed | IP30 | IP30 | IP30 |
| Short circuit withstand current (1 sec.) | (kArms) | | 12 | 12 |

| | | BXL1250A | BXL1600A | BXL2000A-MB |
|--|---------|----------|----------|-------------|
| Rated operational voltage Ue | (V) | 500 | 500 | 500 |
| Rated operational current Ie | (A) | 1250 | 1600 | 2000 |
| Thermal current w/fuse link Ith | (A) | 1250 | 1600 | 2000 |
| Rated insulation voltage Ui | (V) | 1000 | 1000 | 1000 |
| Rated impulse withstand voltage Uimp | (kV) | 8 | 8 | 8 |
| Rated making and breaking capacity | | AC20B | AC20B | AC21B |
| Rated frequency | (Hz) | 50 - 60 | 50 - 60 | 50 - 60 |
| Degree of protection from the front acc. | Open | IP20 | IP20 | IP20 |
| | Closed | IP30 | IP30 | IP30 |
| Short circuit withstand current (1 sec.) | (kArms) | 12 | 12 | 12 |

Ordering tables

XUBM / XLBM



| Type | Designation | Item Description | Order code | Weight (Kg) |
|---|-----------------------------------|--|-----------------|-------------|
| Fuse Rail - XUBM | | | | |
| 1 | XUBM00 | 160A, incl. 3xM8 bolts | 1SEP102110R0101 | 1,5 |
| | XUBM1 | 250A, incl. 3xM12 bolts | 1SEP102111R0101 | 2,9 |
| | XUBM2 | 400A, incl. 3xM12 bolts | 1SEP102112R0101 | 3,4 |
| | XUBM3 | 630A, incl. 3xM12 bolts | 1SEP102113R0101 | 3,9 |
| Fuse Switch Disconnecter - XLBM 1-pole | | | | |
| 2 | XLBM00-1P | 160A 1 pole, incl. 3xM8 bolts | 1SEP102140R0101 | 2,2 |
| | XLBM00-1P-EFM | 160A 1 pole, incl. EFM, incl. 3xM8 bolts | 1SEP102140R0111 | 2,3 |
| | XLBM1-1P | 250A 1 pole, incl. 3xM12 bolts | 1SEP102141R0101 | 4,2 |
| | XLBM1-1P-EFM | 250A 1 pole, incl. EFM, incl. 3xM12 bolts | 1SEP102141R0111 | 4,4 |
| | XLBM1-1P-L | 250A 1 pole, 3xM12 bolts, front cable shroud | 1SEP102141R9101 | |
| | XLBM2-1P | 400A 1 pole, incl. 3xM12 | 1SEP102142R0101 | 4,7 |
| | XLBM2-1P-EFM | 400A 1 pole, incl. EFM, incl. 3xM12 bolts | 1SEP102142R0111 | 4,9 |
| | XLBM2-1P-L | 400A 1 pole, 3xM12 bolts, front cable shroud | 1SEP102142R9101 | |
| | XLBM2-1P | 400A 1 pole, 3xM12 bolts, 42 pcs in pallet | 1SEP102142R8101 | |
| | XLBM2-1P Cu+ | 400A 1 pole, with extre Cu-crossection | 1SEP408492R0001 | 5,2 |
| | XLBM3-1P | 630A 1 pole, incl. 3xM12 bolts | 1SEP102143R0101 | 5,2 |
| | XLBM3-1P-EFM | 630A 1 pole, incl. EFM, incl. 3xM12 bolts | 1SEP102143R0111 | 5,4 |
| | XLBM3-1P-L | 630A 1 pole, 3xM12 bolts, front cable shroud | 1SEP102143R9101 | |
| | XLBM3-1P | 630A 1 pole, 3xM12 bolts, 42 pcs in pallet | 1SEP102143R8101 | |
| | XLBM3-1P Cu+ | 630A 1 pole, with extre Cu-crossection | 1SEP102400R0200 | 6,8 |
| | XLBM800A-1P | 800A 1 pole, incl. 4x3 xM12 bolts | 1SEP102173R0002 | 11,8 |
| XLBM1250A-1P | 1250A 1 pole, incl. 4x3 M12 bolts | 1SEP102173R0001 | 12,3 | |
| Fuse Switch Disconnecter - XLBM 3-pole | | | | |
| 3 | XLBM00-3P | 160A 3 pole, incl. 3xM8 bolts | 1SEP102140R0121 | 2,3 |
| | XLBM00-3P-100 | 160A 3 pole, 100mm busbardist, 3xM8 | 1SEP101818R0002 | 1,6 |
| | XLBM00-3P-EFM | 160A 3 pole, incl. EFM, incl. 3xM8 bolts | 1SEP102140R0131 | 2,4 |
| | XLBM00-3P | 160A 3 pole, 3xM8 bolts, 100 pcs in pallet | 1SEP102140R8121 | |
| 4 | XLBM00-3P-L-CC | 160A 3 pole, incl. 3 cable clamps | 1SEP102140R0143 | 2,6 |
| | XLBM1-3P | 250A 3 pole, incl. 3xM12 bolts | 1SEP102141R0121 | 4,3 |
| | XLBM1-3P-EFM | 250A 3 pole, incl. EFM, incl. 3xM12 bolts | 1SEP102141R0131 | 4,5 |
| | XLBM1-3P-L | 250A 3 pole, 3xM12 bolts, front cable shroud | 1SEP102141R9121 | |
| | XLBM2-3P | 400A 3 pole, incl. 3xM12 bolts | 1SEP102142R0121 | 4,8 |
| | XLBM2-3P-EFM | 400A 3 pole, incl. EFM, incl. 3xM12 bolts | 1SEP102142R0131 | 5,0 |
| | XLBM2-3P-L | 400A 3 pole, 3xM12 bolts, front cable shroud | 1SEP102142R9121 | |
| | XLBM2-3P | 400A 3 pole, 3xM12 bolts, 42 pcs in pallet | 1SEP102142R8121 | |
| | XLBM2-3P Cu+ | 400A 3 pole, with extre Cu-crossection | 1SEP408493R0001 | 5,3 |
| | XLBM3-3P | 630A 3 pole, incl. 3xM12 bolts | 1SEP102143R0121 | 5,3 |
| | XLBM3-3P-EFM | 630A 3 pole, incl. EFM, incl. 3xM12 bolts | 1SEP102143R0131 | 5,5 |
| | XLBM3-3P-L | 630A 3 pole, 3xM12 bolts, front cable shroud | 1SEP102143R9121 | |
| | XLBM3-3P | 630A 3 pole, 3xM12 bolts, 42 pcs in pallet | 1SEP102143R8121 | |
| | XLBM3-3P Cu+ | 630A 3 pole, with extre Cu-crossection | 1SEP102400R0220 | 6,9 |
| | XLBM800A-3P | 800A 3 pole, incl. 4x3 xM12 bolts | 1SEP102174R0002 | 11,7 |
| | XLBM1250A-3P | 1250A 3 pole, incl. 4x3 M12 bolts | 1SEP102174R0001 | 12,2 |

Ordering tables

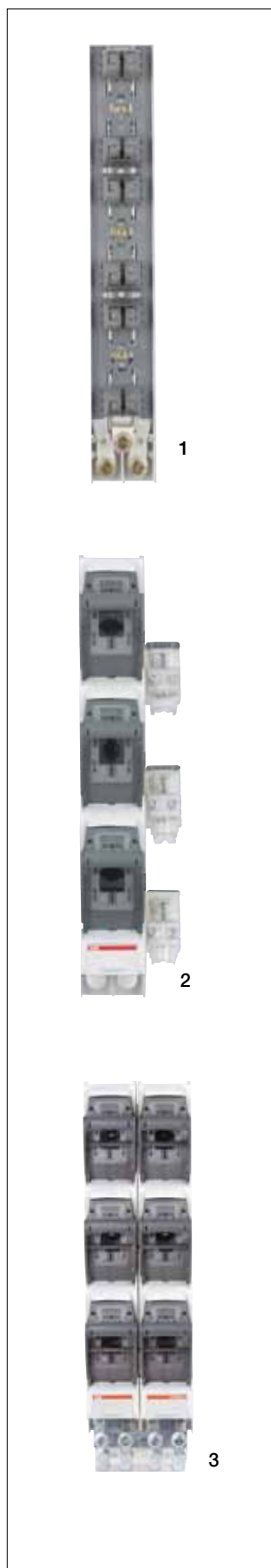
XLBM 910A and BXL



| Type | Designation | Item Description | Order code | Weight (Kg) |
|---|----------------|--|-----------------|-------------|
| Fuse Switch Disconnecter - XLBM 910A | | | | |
| 1 | XLBM910A-1P-MB | 910A 1 pole, incl. 1x3 M12 bolts rear side | 1SEP102401R0100 | 7,0 |
| | XLBM910A-3P-MB | 910A 3 pole, incl. 1x3 M12 bolts rear side | 1SEP102401R0120 | 7,1 |
| Disconnecter - BXL | | | | |
| 2 | BXL1000A-1P | 1000A 1 pole, incl. 2x3 M12 bolts | 1SEP102402R0210 | 5,9 |
| | BXL1000A-3P | 1000A 3 pole, incl. 2x3 M12 bolts | 1SEP102402R0220 | 6,0 |
| | BXL1000A-1P-MB | 1000A 1 pole, incl. 2x3 M12 bolts | 1SEP102402R0121 | 7,1 |
| | BXL1000A-3P-MB | 1000A 3 pole, incl. 2x3 M12 bolts | 1SEP102402R0120 | 7,2 |
| | BXL1250A-1P | 1250A 1 pole, incl. 4x3 M12 bolts | 1SEP102191R0002 | 12,3 |
| | BXL1600A-1P | 1600A 1 pole, incl. 4x3 M12 bolts | 1SEP102191R0001 | 12,3 |
| | BXL1600A-3P | 1600A 3 pole, incl. 4x3 M12 bolts | 1SEP102191R0003 | 12,4 |
| | BXL2000A-1P-MB | 2000A 1 pole, incl. 2x3 M12 bolts | 1SEP102403R0100 | 16,1 |
| 3 | BXL2000A-3P-MB | 2000A 3 pole, incl. 2x3 M12 bolts | 1SEP102403R0120 | 16,3 |

Ordering tables

XUBM / XLBM with hooked clamps (Z)



| Type | Designation | Item Description | Order code | Weight (Kg) | |
|---|---|---|--|-----------------|------|
| Fuse Rail - XUBM with hooked clamp (Z) | | | | | |
| 1 | XUBM00-Z | 160A, w. hooked clamp, incl. 3xM8 | 1SEP102110R0201 | 1,7 | |
| | XUBM1-Z | 250A, w. hooked clamp, incl. 3xM12 | 1SEP102111R0201 | 3,2 | |
| | XUBM1-ZS | 250A, w. hooked clamp, side connection, incl 3 clamps | 1SEP102111R0405 | 3,2 | |
| | XUBM2-Z | 400A, w. hooked clamp, incl. 3xM12 | 1SEP102112R0201 | 3,8 | |
| | XUBM2-ZS | 400A, w. hooked clamp, side connection, incl 3 clamps | 1SEP102112R0405 | 3,7 | |
| | XUBM3-Z | 630A, w. hooked clamp, incl. 3xM12 | 1SEP102113R0201 | 4,2 | |
| | XUBM3-ZS | 630A, w. hooked clamp, side connection, incl 3 clamps | 1SEP102113R0405 | 4,1 | |
| | Fuse Switch Disconnecter - XLBM 1-pole with hooked clamp (Z) | | | | |
| 2 | XLBM00-1P-Z | 160A 1 pole, w. hooked clamp, incl. 3xM8 | 1SEP102140R0201 | 2,4 | |
| | XLBM00-1P-EFM-Z | 160A 1 pole, incl. EFM, w. hooked clamp incl. 3xM8 bolts | 1SEP102140R0211 | 2,5 | |
| | XLBM1-1P-Z | 250A 1 pole, w. hooked clamp, incl. 3xM12 | 1SEP102141R0201 | 4,5 | |
| | XLBM1-1P-EFM-Z | 250A 1 pole, incl. EFM, w. hooked clamp, incl. 3xM12 bolts | 1SEP102141R0211 | 4,7 | |
| | XLBM1-1P-ZS | 250A 1 pole, w. hooked clamp, side connection, incl 3 clamps | 1SEP102141R0401 | 4,5 | |
| | XLBM1-1P-Z2S | 250A 1 pole, w. hooked clamp, double side connection, incl 6 clamps | 1SEP102141R0501 | 5,8 | |
| | XLBM2-1P-Z | 400A 1 pole, w. hooked clamp, incl. 3xM12 | 1SEP102142R0201 | 4,9 | |
| | XLBM2-1P-EFM-Z | 400A 1 pole, incl. EFM, w. hooked clamp, incl. 3xM12 bolts | 1SEP102142R0211 | 5,1 | |
| | XLBM2-1P-ZS | 400A 1 pole, w. hooked clamp, side connection, incl 3 clamps | 1SEP102142R0401 | 5,0 | |
| | XLBM2-1P-Z2S | 400A 1 pole, w. hooked clamp, double side connection, incl 6 clamps | 1SEP102142R0501 | 6,3 | |
| | XLBM3-1P-Z | 630A 1 pole, w. hooked clamp, incl. 3xM12 | 1SEP102143R0201 | 5,5 | |
| | XLBM3-1P-EFM-Z | 630A 1 pole, incl. EFM, w. hooked clamp, incl. 3xM12 bolts | 1SEP102143R0211 | 5,7 | |
| | XLBM3-1P-ZS | 630A 1 pole, w. hooked clamp, side connection, incl 3 clamps | 1SEP102143R0401 | 5,4 | |
| | XLBM3-1P-Z2S | 630A 1 pole, w. hooked clamp, double side connection, incl 6 clamps | 1SEP102143R0501 | 6,7 | |
| | 3 | XLBM800A-1P-Z | 800A 1 pole, w. hooked clamp, incl. 4x3 xM12 bolts | 1SEP102173R0004 | 12,1 |
| | | XLBM1250A-1P-Z | 1250A 1 pole, w. hooked clamp, incl. 4x3 M12 bolts | 1SEP102173R0003 | 12,6 |
| Fuse Switch Disconnecter - XLBM 3-pole with hooked clamp (Z) | | | | | |
| | XLBM00-3P-Z | 160A 3 pole, w. hooked clamp, incl. 3xM8 | 1SEP102140R0221 | 2,5 | |
| | XLBM00-3P-Z | 160A 3 pole, w. hooked clamp, incl. 3xM8 100 pcs in pallet | 1SEP102140R8221 | | |
| | XLBM00-3P-EFM-Z | 160A 3 pole, incl. EFM, w. hooked clamp incl. 3xM8 bolts | 1SEP102140R0231 | 2,6 | |
| | XLBM00-3P-EFM-Z-CC | 160A 3 pole, incl. EFM, w. hooked clamp incl. 3x cable clamp | 1SEP102140R1233 | | |

Ordering tables

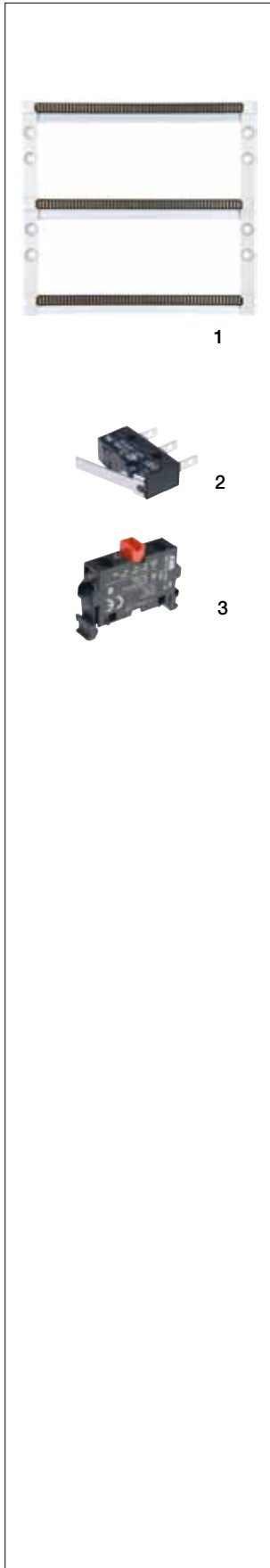
XLBM and BXL with hooked clamps (Z)



| Type | Designation | Item Description | Order code | Weight (Kg) |
|---|------------------|---|---|-----------------|
| Fuse Switch Disconnecter - XLBM 3-pole with hooked clamp (Z) | | | | |
| 1 | XLBM00-3PL-Z-CC | 160A 3 pole, bottom hinged w. hooked clamp, incl. 3x cable clamp | 1SEP102140R1243 | 2,7 |
| | XLBM00-3PL-Z-DCC | 160A 3 pole, bottom hinged, w. hooked clamp, incl. 3x double cable clamp | 1SEP102140R1244 | 2,7 |
| | XLBM00-3PL-ZT-CC | 160A 3 pole, bottom hinged, w. hooked clamp, top cable conn, incl 3xcable clamp | 1SEP102140R1743 | 2,7 |
| | XLBM1-3P-Z | 250A 3 pole, w. hooked clamp, incl. 3xM12 | 1SEP102141R0221 | 4,6 |
| | XLBM1-3P-EFM-Z | 250A 3 pole, incl. EFM, w. hooked clamp, incl. 3xM12 bolts | 1SEP102141R0231 | 4,8 |
| | XLBM1-3P-ZS | 250A 3 pole, w. hooked clamp, side connection, incl 3 clamps | 1SEP102141R0421 | 4,6 |
| | XLBM1-3P-Z2S | 250A 3 pole, w. hooked clamp, double side connection, incl 6 clamps | 1SEP102141R0521 | 5,8 |
| | XLBM2-3P-Z | 400A 3 pole, w. hooked clamp, incl. 3xM12 | 1SEP102142R0221 | 5,2 |
| | XLBM2-3P-EFM-Z | 400A 3 pole, incl. EFM, w. hooked clamp, incl. 3xM12 bolts | 1SEP102142R0231 | 5,4 |
| | XLBM2-3P-ZS | 400A 3 pole, w. hooked clamp, side connection, incl 3 clamps | 1SEP102142R0421 | 5,1 |
| | XLBM2-3P-Z2S | 400A 3 pole, w. hooked clamp, double side connection, incl 6 clamps | 1SEP102142R0521 | 6,3 |
| | 2 | XLBM2-3P-Z | 400A 3 pole, w. hooked clamp, 42 pcs in pallet, incl. 3xM12 bolts | 1SEP102142R8221 |
| XLBM2-3P-ZS | | 400A 3 pole, w. hooked clamp, 25 pcs in pallet, incl 3 clamps | 1SEP102142R8421 | 5,6 |
| XLBM3-3P-Z | | 630A 3 pole, w. hooked clamp, incl. 3xM12 | 1SEP102143R0221 | 5,6 |
| XLBM3-3P-EFM-Z | | 630A 3 pole, incl. EFM, w. hooked clamp, incl. 3xM12 bolts | 1SEP102143R0231 | 5,8 |
| XLBM3-3P-ZS | | 630A 3 pole, w. hooked clamp, side connection, incl 3 clamps | 1SEP102143R0421 | 5,5 |
| XLBM3-3P-Z2S | | 630A 3 pole, w. hooked clamp, double side connection, incl 6 clamps | 1SEP102143R0521 | 6,7 |
| 3 | XLBM800A-3P-Z | 800A 3 pole, w. hooked clamp, incl. 4x3 xM12 bolts | 1SEP102174R0004 | 12,0 |
| | XLBM1250A-3P-Z | 1250A 3 pole, w. hooked clamp, incl. 4x3 M12 bolts | 1SEP102174R0003 | 12,5 |
| Disconnecter - BXL with hooked clamp (Z) | | | | |
| | BXL1000A-1P-Z | 1000A 1 pole, w. hooked clamp, incl. 2x3 M12 bolts | 1SEP102148R0201 | 6,2 |
| | BXL1000A-3P-Z | 1000A 3 pole, w. hooked clamp, incl. 2x3 M12 bolts | 1SEP102148R0221 | 6,3 |

Ordering tables

Z-busbar and common accessories



| Type | Designation | Item Description | Order code | Weight (Kg) |
|---------------------------|---------------------------|---|-----------------|-------------|
| IP20 Z-busbars kit | | | | |
| 1 | DCN00-Z400A/445 | 400A/445mm, incl. IP20 busbars&holders | 1SEP201621R0001 | 1,3 |
| | DCN00-Z400A/578 | 400A/578mm, incl. IP20 busbars&holders | 1SEP201621R0002 | 1,8 |
| | DCN00-Z400A/774 | 400A/774mm, incl. IP20 busbars&holders | 1SEP201621R0004 | 3,2 |
| | DCN00-Z630A/578 | 630A/578mm, incl. IP20 busbars&holders | 1SEP201621R0003 | 4,0 |
| | DCN00-Z630A/774 | 630A/774mm, incl. IP20 busbars&holders | 1SEP201621R0005 | 6,5 |
| | DCN00-Z630A/1105 | 630A/1105mm, incl. IP20 busbars&holders | 1SEP201621R0006 | 8,5 |
| Common accessories | | | | |
| | Insulated hexagon key NV6 | | NHSN950001P0006 | 0,1 |
| 2 | Micro auxiliary switch | 6A/250V | 1SEP407742R0001 | 0,01 |
| 3 | Auxiliary switch NC | 10A/690V | 1SEP407742R0002 | 0,02 |
| | Auxiliary switch NO | 10A/690V | 1SEP407742R0003 | 0,02 |

Ordering tables

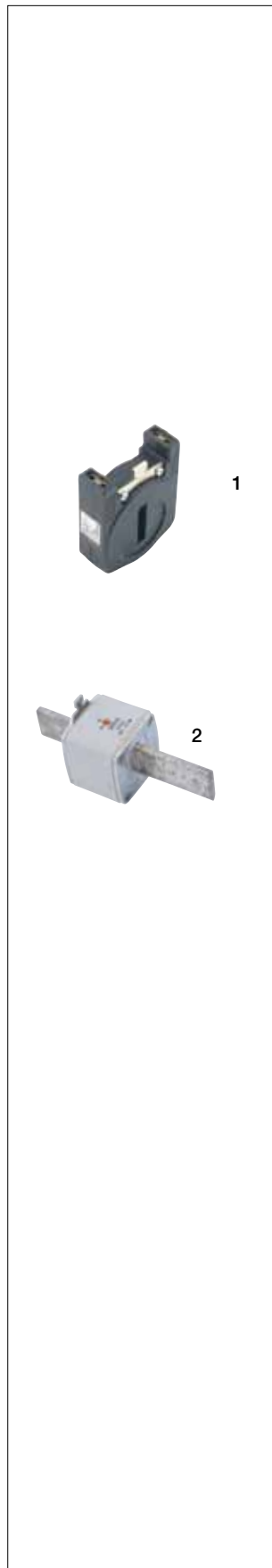
Accessories



| Type | Designation | Item Description | Order code | Weight (Kg) |
|------------------------------------|---|------------------|-----------------|-------------|
| Accessories XUBM/XLBM00-100 | | | | |
| | 00-100 Cable shroud for clamps, H=106mm | | 1SEP304058R0001 | 0,02 |
| | 00-100 Cable shroud extended for cable lugs, H=150mm | | 1SEP304061R0001 | 0,05 |
| | 00-100 Label holder | | 1SEP304068R0001 | 0,01 |
| | 00-100 Height alignment kit | | 1SEP304067R0001 | 0,03 |
| | 00-100 Micro switch | | 1SEP304060R0002 | 0,01 |
| | 00-100 Single adapter for 60mm busbar distance | | 1SEP304064R0001 | 0,3 |
| | 00-100 Single adapter 100 to 185mm busbar distance | | 1SEP304066R0001 | 0,4 |
| 1 | 00-100 Double adapter 100 to 185mm busbar distance | | 1SEP304065R0001 | 0,7 |
| | 00-100 Hooked clamp | Kit incl. 3 pcs | 1SEP304059R0001 | 0,03 |
| | 00-100 Prism clamp | Kit incl. 3 pcs | 1SEP304056R0001 | 0,1 |
| Accessories XUBM/XLBM00 | | | | |
| | XUBM00 Fuse protection cover | | 1SEP201543R0001 | 0,3 |
| | XUBM00 Phase barrier kit | Kit incl. 2 pcs | 1SEP304442R0001 | 0,05 |
| 2 | XUBM00 Cable shroud | | 1SEP408124R0001 | 0,2 |
| | XLBM00 Cable shroud down, H=185mm | | 1SEP408126R0001 | 0,15 |
| | XLBM00 Cable shroud up, H=180mm | | 1SEP408255R0001 | |
| | XLBM00 Cable shroud short, H=64mm | | 1SEP408128R0001 | 0,1 |
| 3 | XLBM00 Label holder | | 1SEP408139R0001 | 0,1 |
| | XLBM00 A-meter house for A-meter 48x48mm | | 1SEP408141R0001 | 0,05 |
| | Max. A-meter QB48, 0-150-180/5A | | NHSN714003P1150 | 0,1 |
| | CT busbar 160/5A 2,5VA cl. 1 | Kit incl. 3 pcs | 1SEP408149R0001 | 0,6 |
| | 00 Bridge clamp (3BC) 1,5-50mm ² | Kit incl. 3 pcs | 1SEP407733R0001 | 0,04 |
| | 00 Single prism clamp (3PC) 1,5-95mm ² | Kit incl. 3 pcs | 1SEP407732R0001 | 0,09 |
| | 00 Single adapter M12 to M8 for 185mm busbar distance | | 1SEP304072R0001 | 0,4 |
| 4 | 00 Double adapter M12 to M8 for 185mm busbar distance | | 1SEP304071R0001 | 0,7 |
| | 00 Spare way cover | | 1SEP304069R0001 | 0,2 |
| | XLBM00-3PL Upper part with operating handle | | 1SEP408421R0001 | |
| | XLBM00-1P Upper part with operating handle | | 1SEP408421R0002 | |
| | XLBM00-3P Upper part with operating handle | | 1SEP408421R0003 | |
| Accessories XUBM/XLBM123 | | | | |
| | XUBM123 Fuse protection cover | | 1SEP201499R0001 | 0,35 |
| | XUBM123 Phase barrier kit | Kit incl. 2 pcs | 1SEP304395R0001 | 0,15 |
| | XUBM123 Cable shroud | | 1SEP408125R0001 | 0,25 |
| | XLBM123 Cable shroud | | 1SEP408127R0001 | 0,2 |
| | XLBM123 Cable shroud for S&J | | 1SEP408418R0001 | 0,2 |
| | XLBM123 Cable shroud for double V-clamp | | 1SEP304526R0001 | 0,1 |
| | XLBM123 Cable shroud for double kit for switchboard | | 1SEP408261R0001 | 0,1 |
| | XLBM2 Front cable shroud | | 1SEP408413R0002 | 0,05 |
| | XLBM3 Front cable shroud | | 1SEP408413R0003 | 0,05 |
| | XLBM123 Label holder | | 1SEP408140R0001 | 0,1 |
| 5 | XLBM123 A-meter housing IQB72 for A-meter 72x72mm | | 1SEP408142R0001 | 0,05 |
| | Max. A-meter QB72, 0-150-180/5A | | NHSN714004P2206 | 0,2 |
| | Max. A-meter QB72, 0-200-300/5A | | NHSN714004P2208 | 0,2 |
| | Max. A-meter QB72, 0-400-480/5A | | NHSN714004P2210 | 0,2 |
| | Max. A-meter QB72, 0-600-720/5A | | NHSN714004P2212 | 0,2 |

Ordering tables

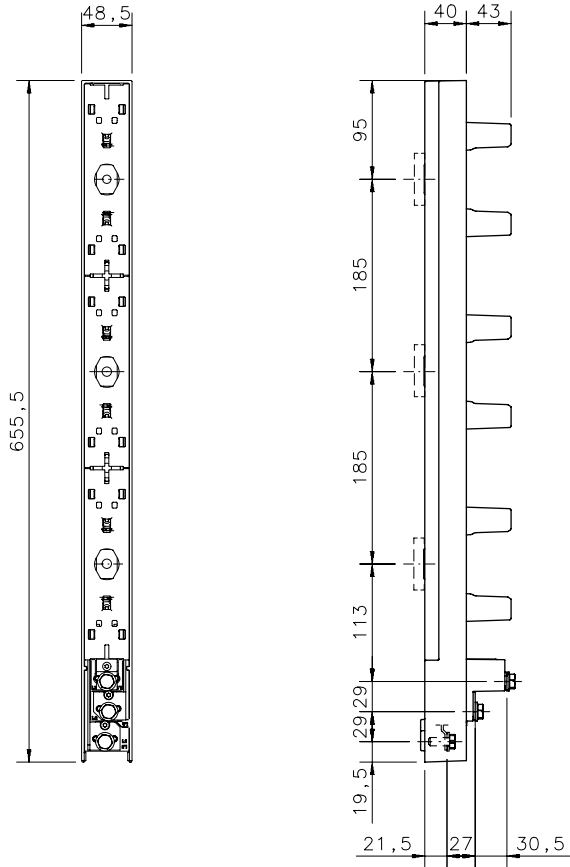
Accessories



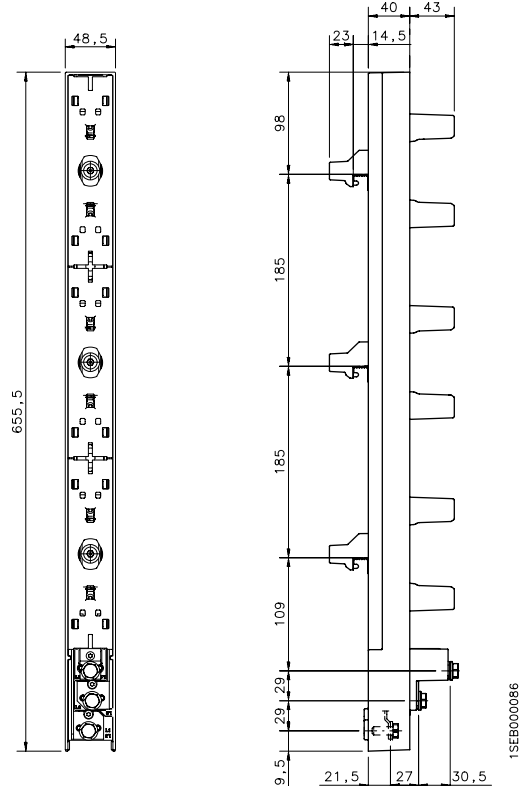
| Type | Designation | Item Description | Order code | Weight (Kg) |
|---------------------------------------|---|---------------------|-----------------|-------------|
| Accessories XUBM/XLBM123 | | | | |
| | CT busbar 200A/5A 3,75VA cl. 1 | Kit incl. 3 CT's | 1SEP408149R0002 | 1,3 |
| | CT busbar 400A/5A 5VA cl. 1 | Kit incl. 3 CT's | 1SEP408149R0003 | 1,3 |
| | CT busbar 600A/5A 5VA cl. 1 | Kit incl. 3 CT's | 1SEP408149R0004 | 1,3 |
| | CT busbar 600A/5A 5VA cl. 0,5 | Kit incl. 3 CT's | 1SEP408149R0005 | 1,3 |
| | CT terminal 200A/5A 3,75VA cl. 1 | Kit incl. 1 CT's | 1SEP408149R0007 | 0,6 |
| | CT terminal 400A/5A 5VA cl. 1 | Kit incl. 1 CT's | 1SEP408149R0008 | 0,6 |
| | CT terminal 600A/5A 5VA cl. 1 | Kit incl. 1 CT's | 1SEP408149R0009 | 0,6 |
| | CT terminal 600A/5A 5VA cl. 0,5 | Kit incl. 1 CT's | 1SEP408149R0010 | 0,6 |
| | Plug in A-meter, front cover inst. 200-400/5A | | NHPL046270R0001 | 0,2 |
| 1 | Plug in CT for front cover inst. A-meter 200/5A 3,5VA cl. 3 | | NHSN718050P2525 | 0,1 |
| | Plug in CT for front cover inst. A-meter 400/5A 5VA cl. 3 | | NHSN718050P2540 | 0,1 |
| | NH2 Fuse link 400V/100A for plug in CT | | NHPL046265R0001 | 0,5 |
| | NH2 Fuse link 400V/125A for plug in CT | | NHPL046266R0001 | 0,5 |
| | NH2 Fuse link 400V/160A for plug in CT | | NHPL046267R0001 | 0,5 |
| | NH2 Fuse link 400V/200A for plug in CT | | NHPL046268R0001 | 0,5 |
| | NH2 Fuse link 400V/224A for plug in CT | | NHPL046269R0001 | 0,5 |
| 2 | NH2 Fuse link 400V/250A for plug in CT | | NHPL046272R0001 | 0,5 |
| | NH2 Fuse link 400V/315A for plug in CT | | NHPL046273R0001 | 0,5 |
| | NH2 Fuse link 400V/335A for plug in CT | | NHPL046274R0001 | 0,5 |
| | NH2 Fuse link 400V/400A for plug in CT | | NHPL046275R0001 | 0,5 |
| | XLBM123 Isolation plug for supply busbar | | 1SEP408429R0001 | |
| | 123 Huckepack | Temp. supply outlet | NHSN722068P0002 | 0,25 |
| | 123 V-clamp kit | Kit incl. 3 pcs | 1SEP304446R0001 | 0,45 |
| | 123 Double V-clamp kit for CDC | Kit incl. 3 pcs | 1SEP304457R0001 | 0,45 |
| | 123 Double V-clamp kit for switchboards | Kit incl. 3 pcs | 1SEP408268R0001 | 0,45 |
| | 123 Double cable lug kit for switchboards | Kit incl. 3 pcs | 1SEP304546R0001 | 0,45 |
| | XLBM1-1P Upper part with operating handle | | 1SEP408422R0001 | 1,4 |
| | XLBM1-3P Upper part with operating handle | | 1SEP408422R0002 | 1,5 |
| | XLBM2-1P Upper part with operating handle | | 1SEP408422R0003 | 1,4 |
| | XLBM2-3P Upper part with operating handle | | 1SEP408422R0004 | 1,5 |
| | XLBM3-1P Upper part with operating handle | | 1SEP408422R0005 | 1,5 |
| | XLBM3-3P Upper part with operating handle | | 1SEP408422R0006 | 1,6 |
| Accessories for XLBM800A/1250A | | | | |
| | XLBM800A/1250A Cable shroud down | | 1SEP408310R0001 | |
| | XLBM800A/1250A Cable shroud up | | 1SEP408339R0001 | |
| | XLBM800A-1P Upper part with operating handle | | 1SEP201613R0001 | 2,9 |
| | XLBM800A-3P Upper part with operating handle | | 1SEP201613R0002 | 3,0 |
| | XLBM1250A-1P Upper part with operating handle | | 1SEP201613R0003 | 2,9 |
| | XLBM1250A-3P Upper part with operating handle | | 1SEP201613R0004 | 3,0 |
| | Kit for mounting 2 x XLBM630A-3P | | 1SEP408486R0003 | 5,1 |
| | Kit for mounting 2 x XLBM400A-3P | | 1SEP408491R0003 | 5,1 |
| Common accessories XUBM/XLBM | | | | |
| | XLBM Side shrouds to front panels | | 1SEP408416R0001 | 1,6 |
| | XLBM Side cover kit, IP30 | | 1SEP408654R0001 | |

Dimensional drawings XUBM

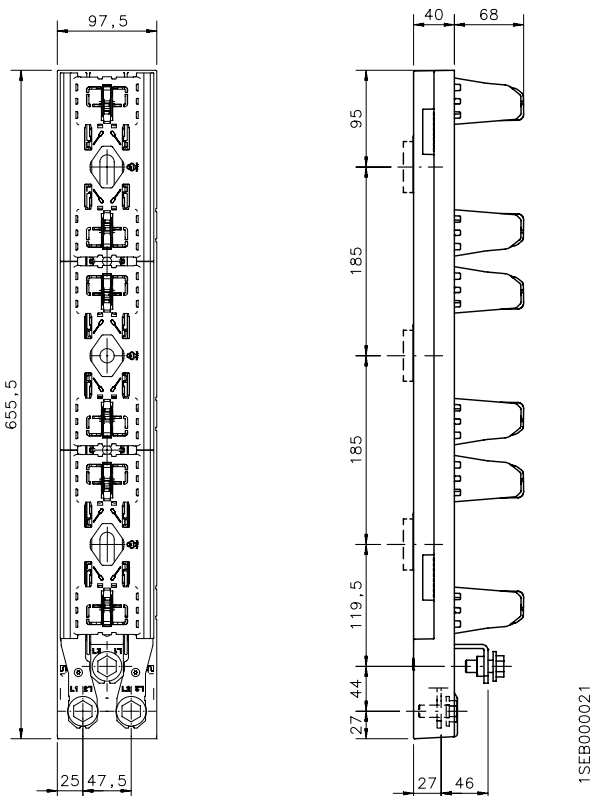
XUBM00



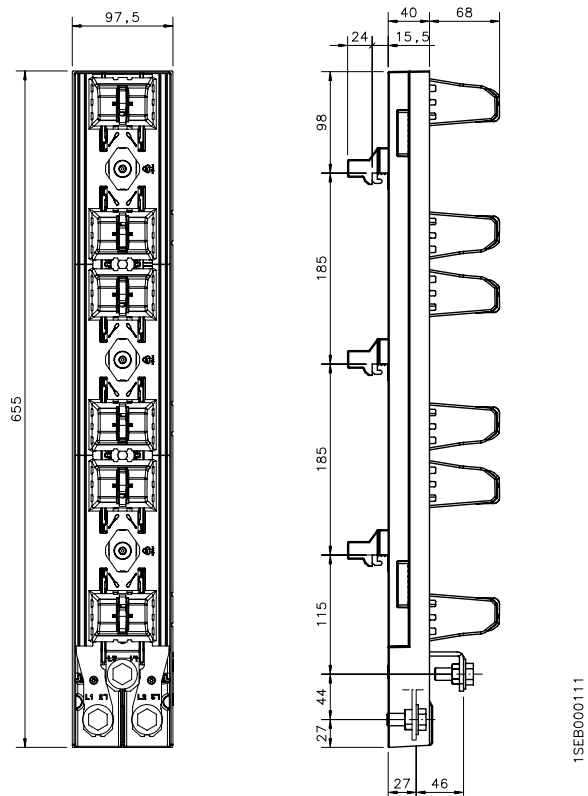
XUBM00-Z



XUBM1/2/3

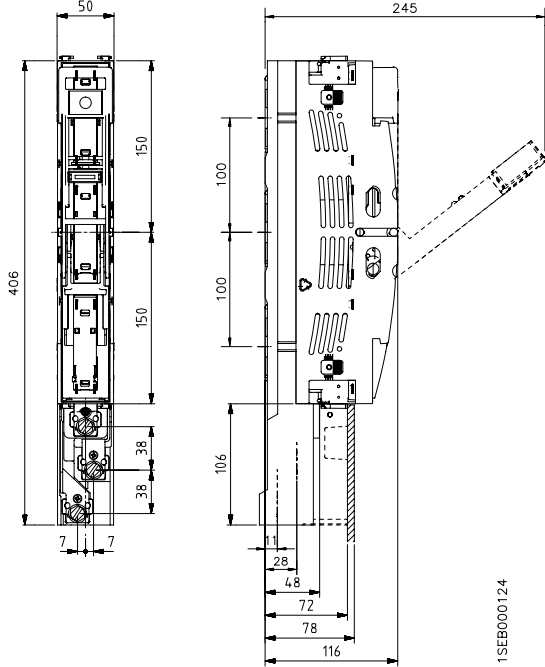


XUBM1/2/3-Z

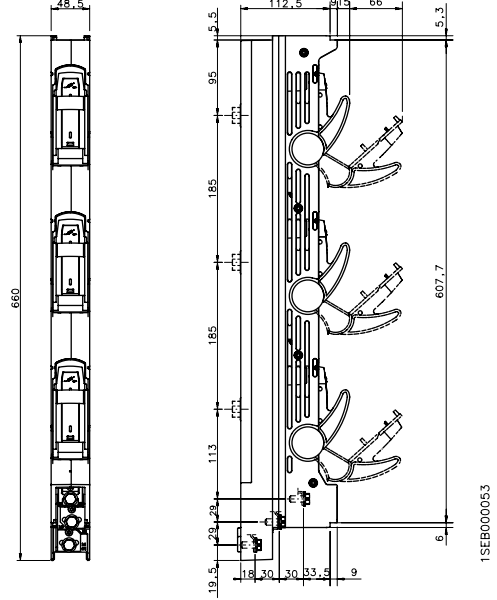


Dimensional drawings XLBM00

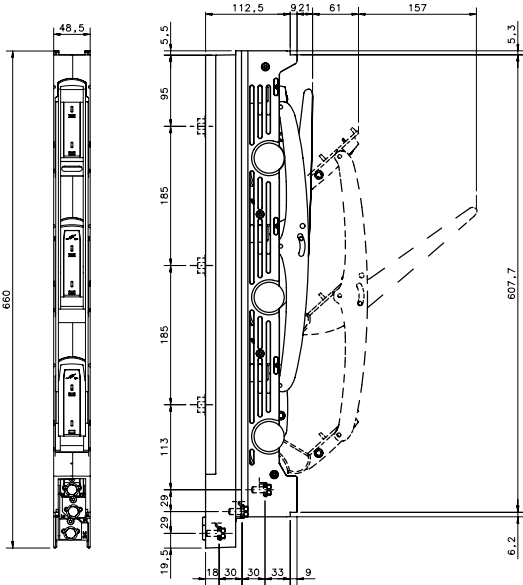
XLBM00-3P-100



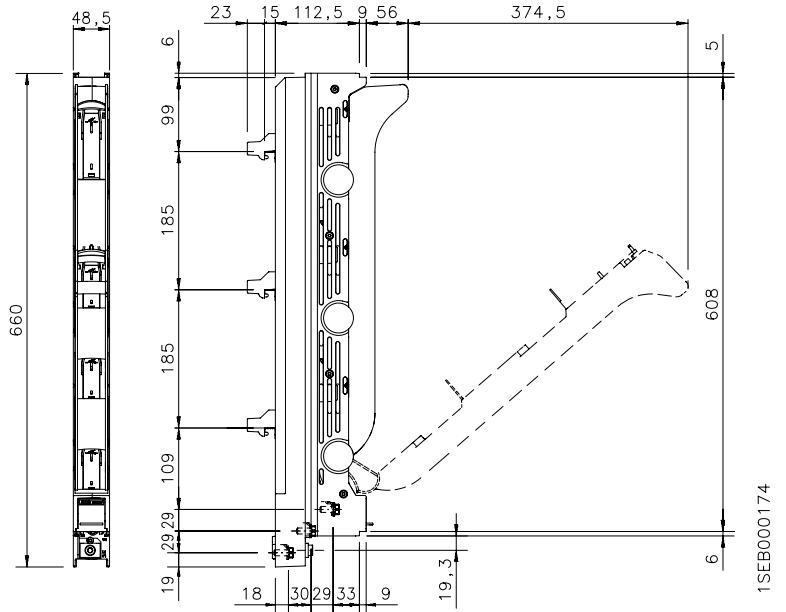
XLBM00-1P



XLBM00-3P

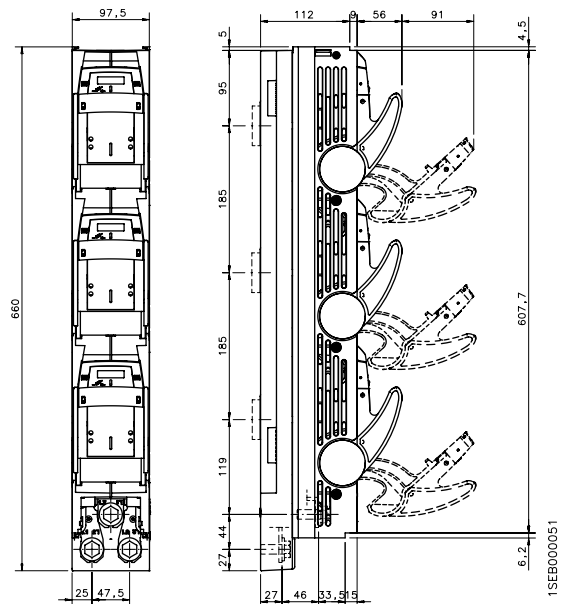


XLBM00-3PL-Z

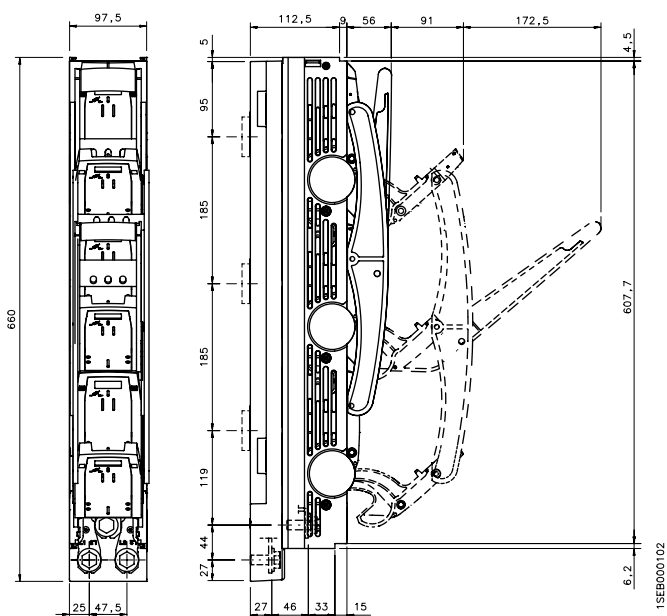


Dimensional drawings XLBM1/2/3

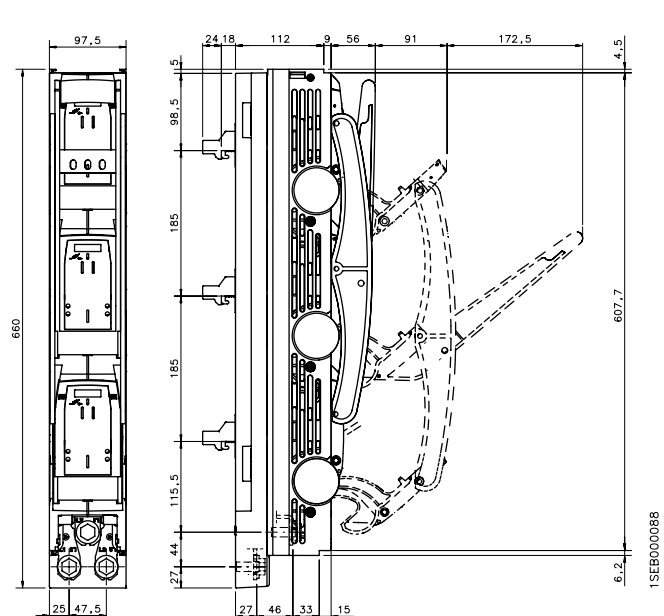
XLBM1/2/3-1P



XLBM1/2/3-3P

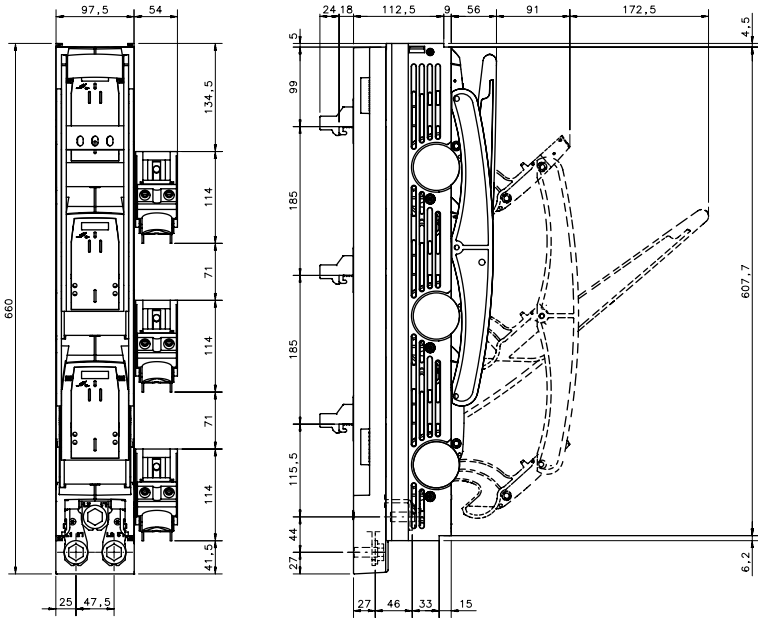


XLBM1/2/3-3P-Z



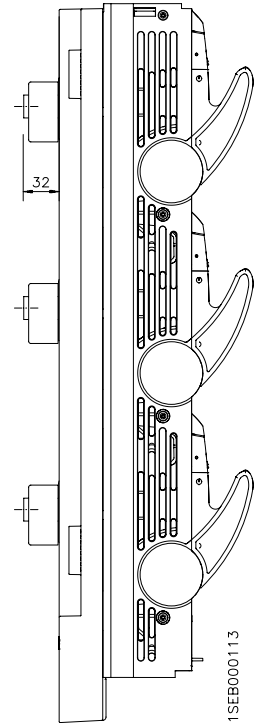
Dimensional drawings XLBM1/2/3

XLBM1/2/3-3P-ZS



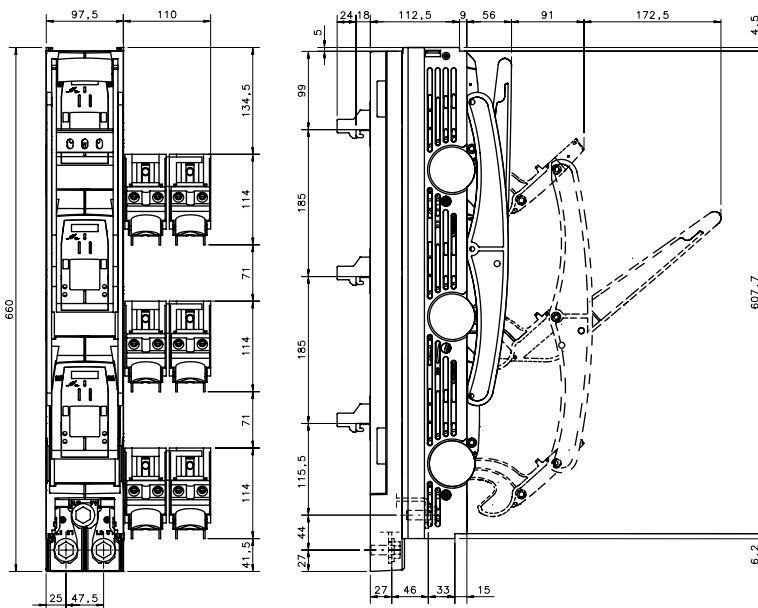
1SEB000103

XLBM1/2/3 CT
rear side installation



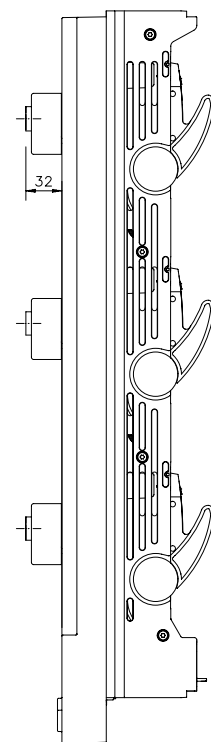
1SEB000113

XLBM1/2/3-3P-Z2S



1SEB000090

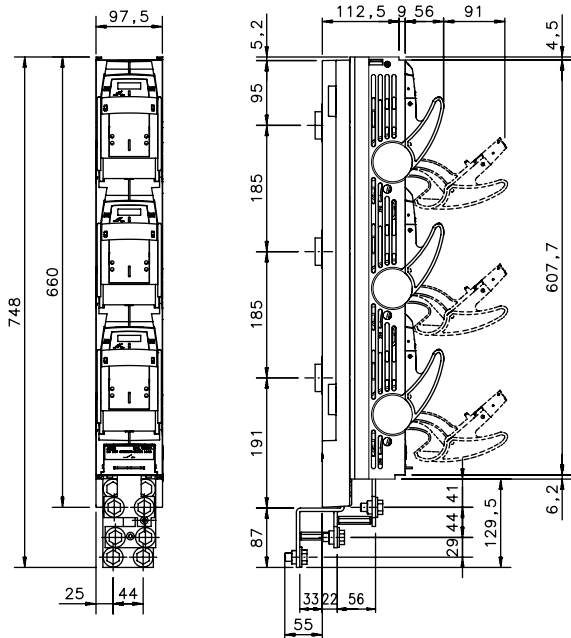
XLBM00 CT
rear side installation



1SEB000112

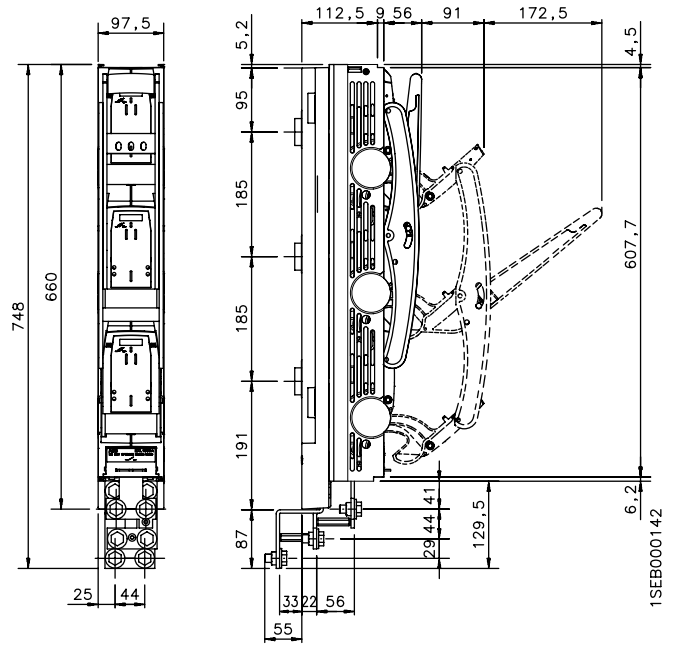
Dimensional drawings BXL1000A and BXL1250A/1600A

BXL1000A-1P



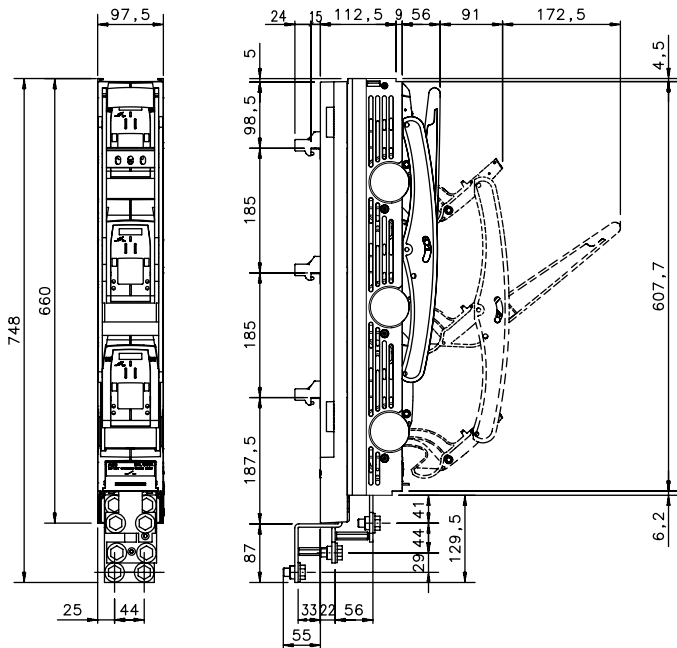
1SEB000140

BXL1000A-3P



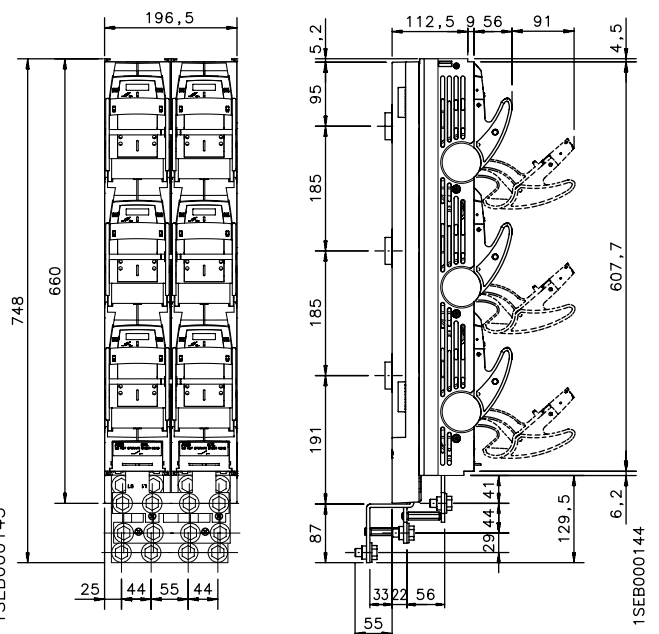
1SEB000142

BXL1000A-3P-Z



1SEB000143

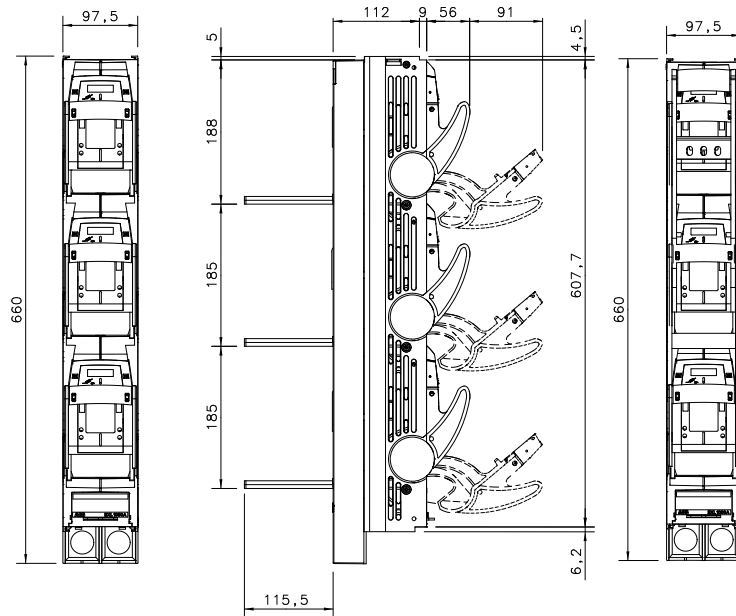
BXL1250A/1600A-1P



1SEB000144

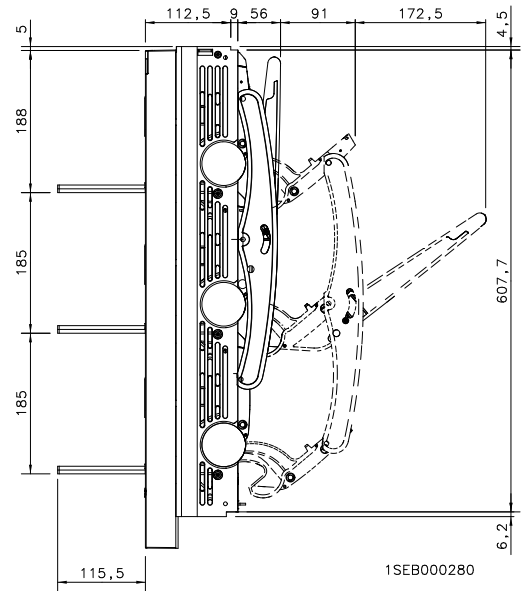
Dimensional drawings XLBM910A, BXL1000A-MB and BXL2000A-MB

XLBM910A-1P-MB and
BXL1000A-1P-MB



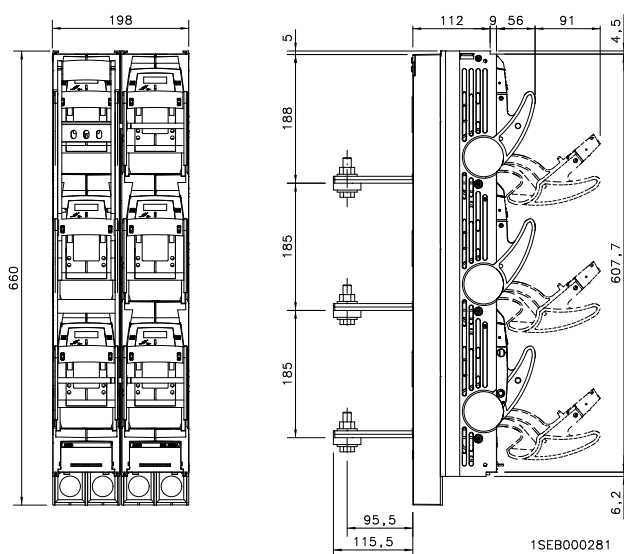
1SEB000279

XLBM910A-3P-MB and
BXL1000A-3P-MB



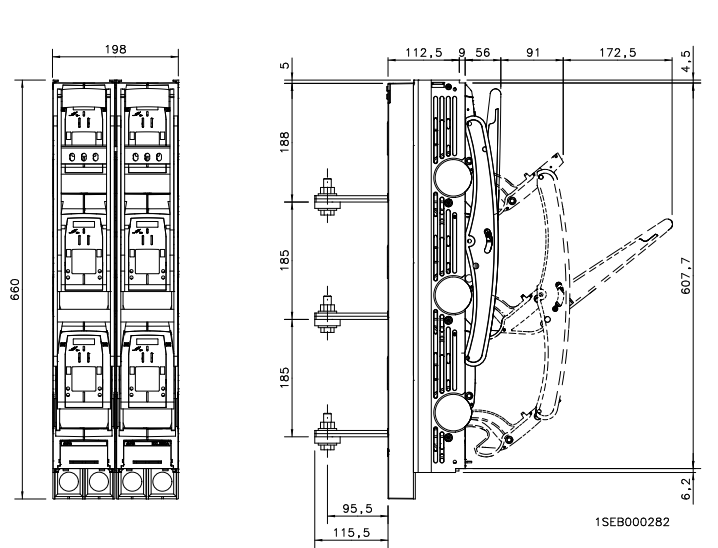
1SEB000280

BXL2000A-1P-MB



1SEB000281

BXL2000A-3P-MB

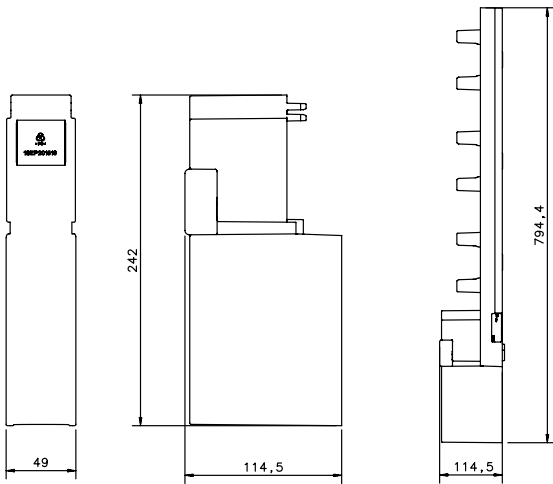


1SEB000282

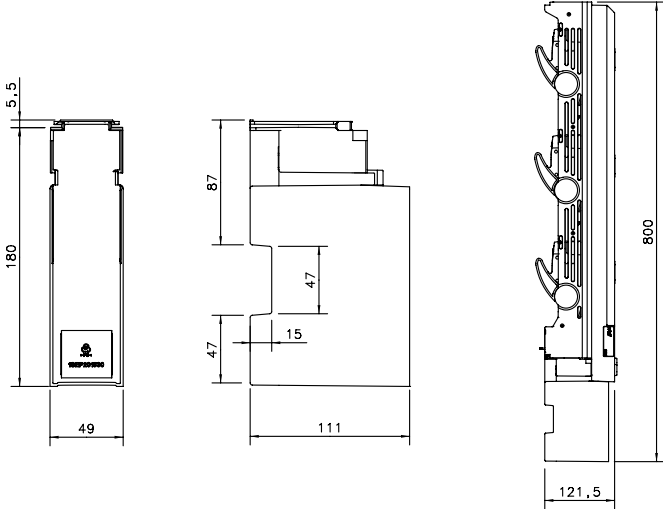
Dimensional drawings

Accessories size 00

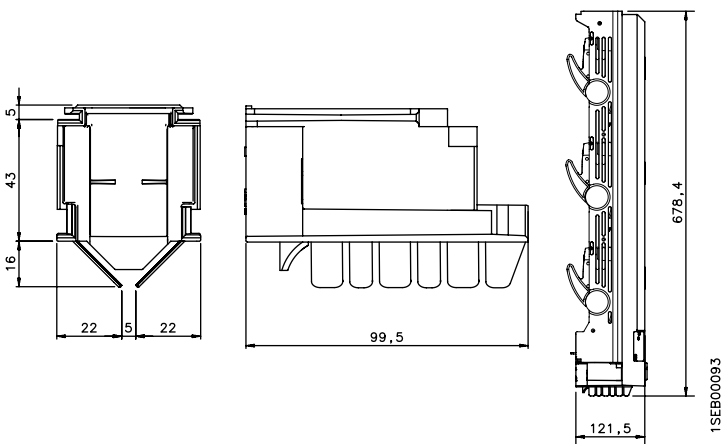
Cable shroud XUBM00



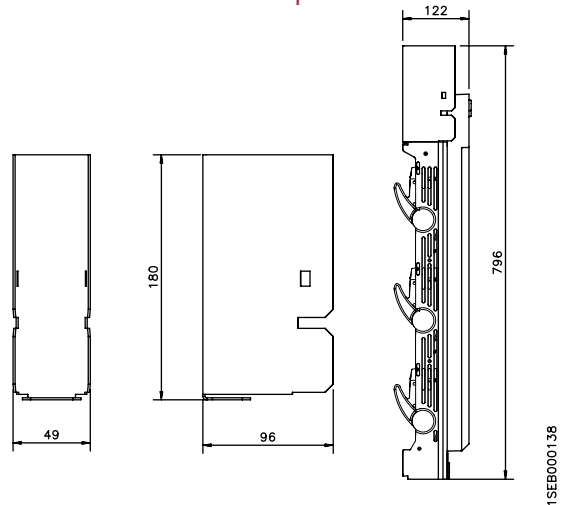
Cable shroud XLBM00



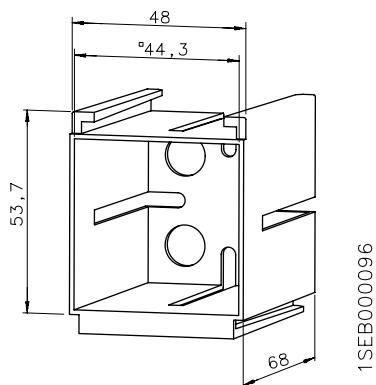
Cable shroud short XLBM00



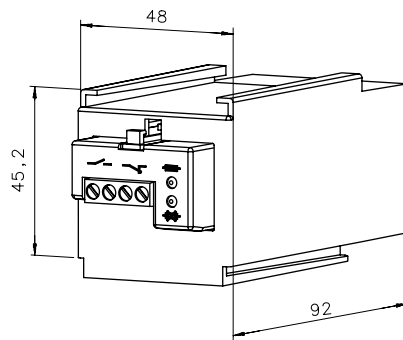
Cable shroud up XLBM00



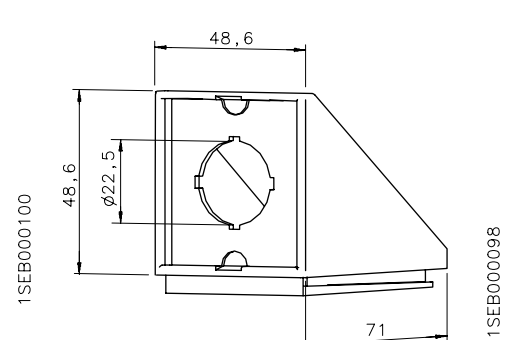
Ammeter house



EFM



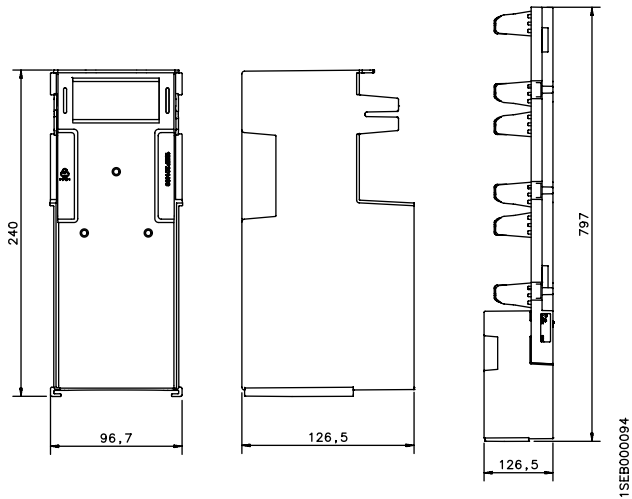
Label holder



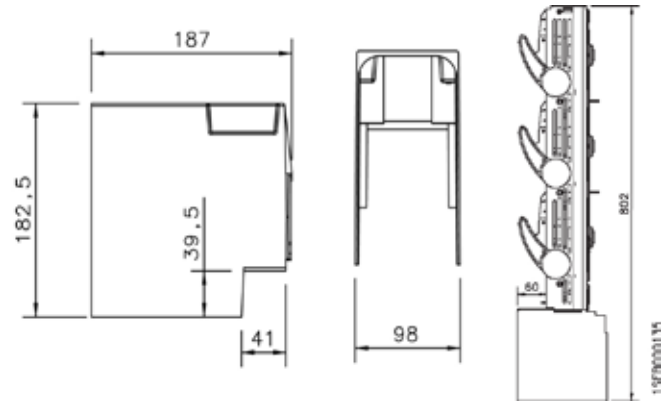
Dimensional drawings

Accessories size 1/2/3

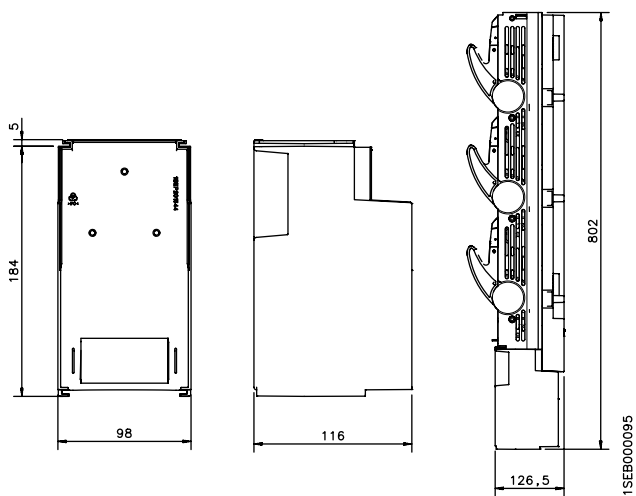
Cable shroud XUBM123



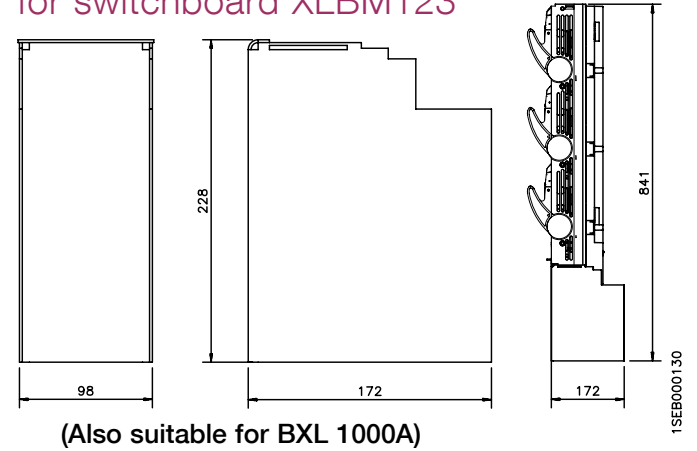
Cable shroud, double V-clamp for panel XLBM123



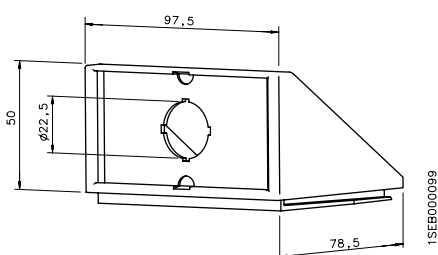
Cable shroud XLBM123



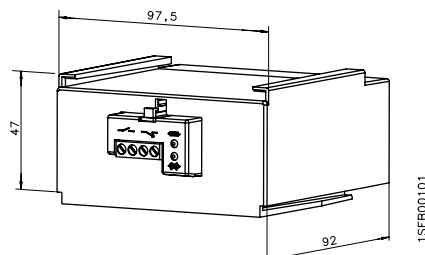
Cable shroud, double V-clamp for switchboard XLBM123



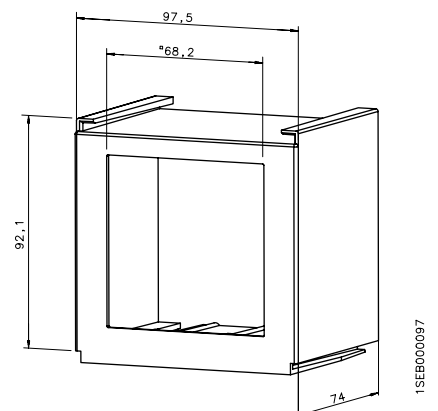
Label holder



EFM



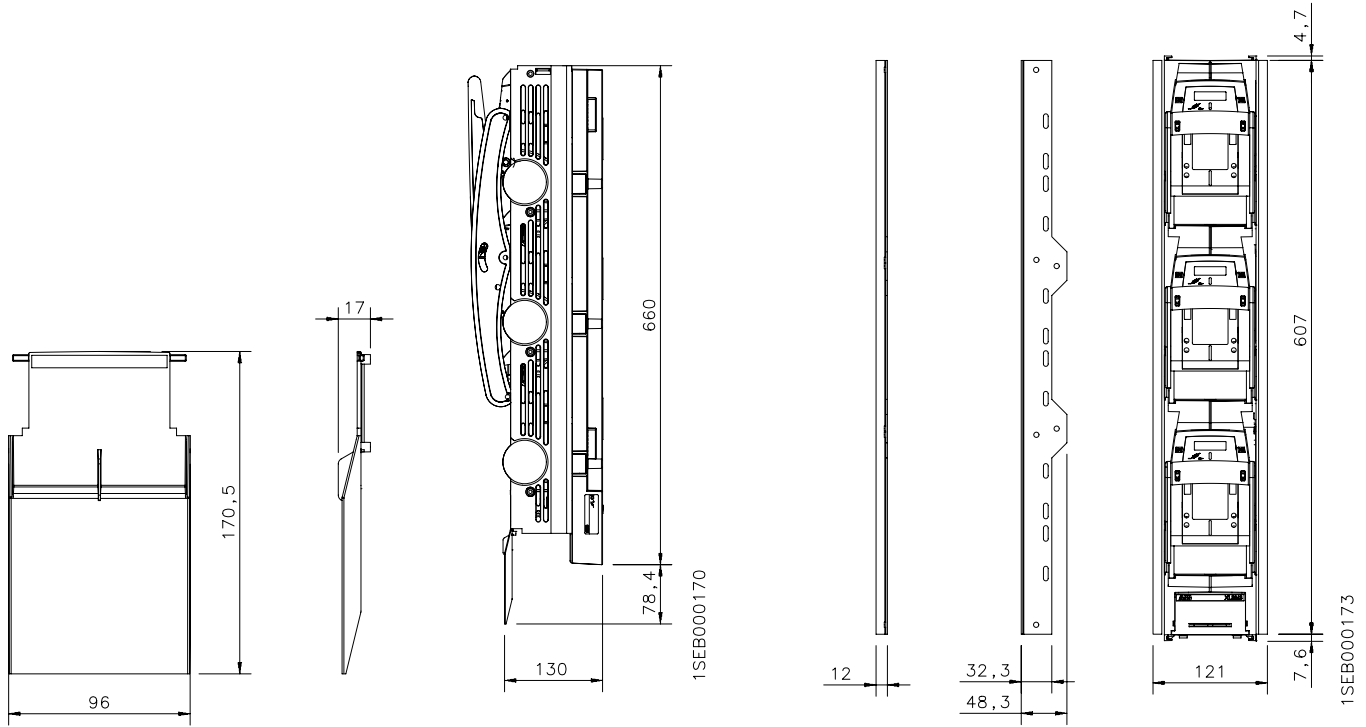
Ammeter house



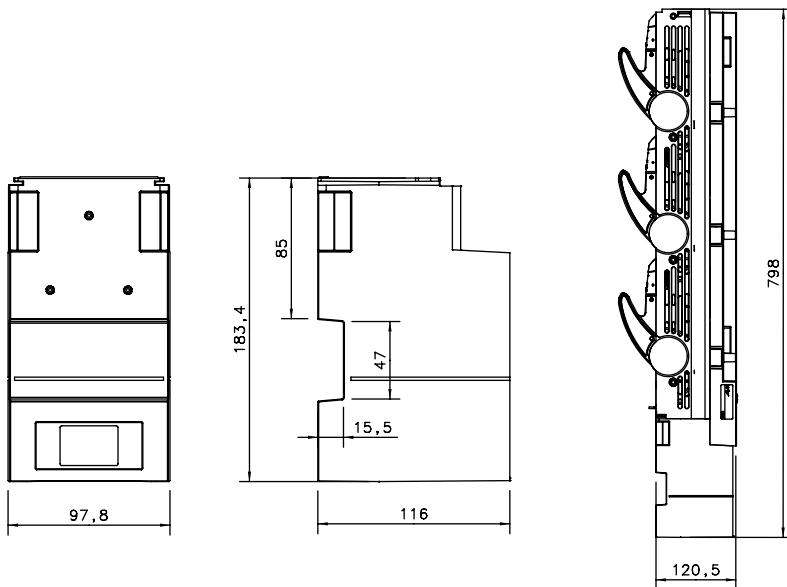
Dimensional drawings Accessories size 1/2/3

XLBM23 Front cable shroud

XLBM Side shrouds to front panels



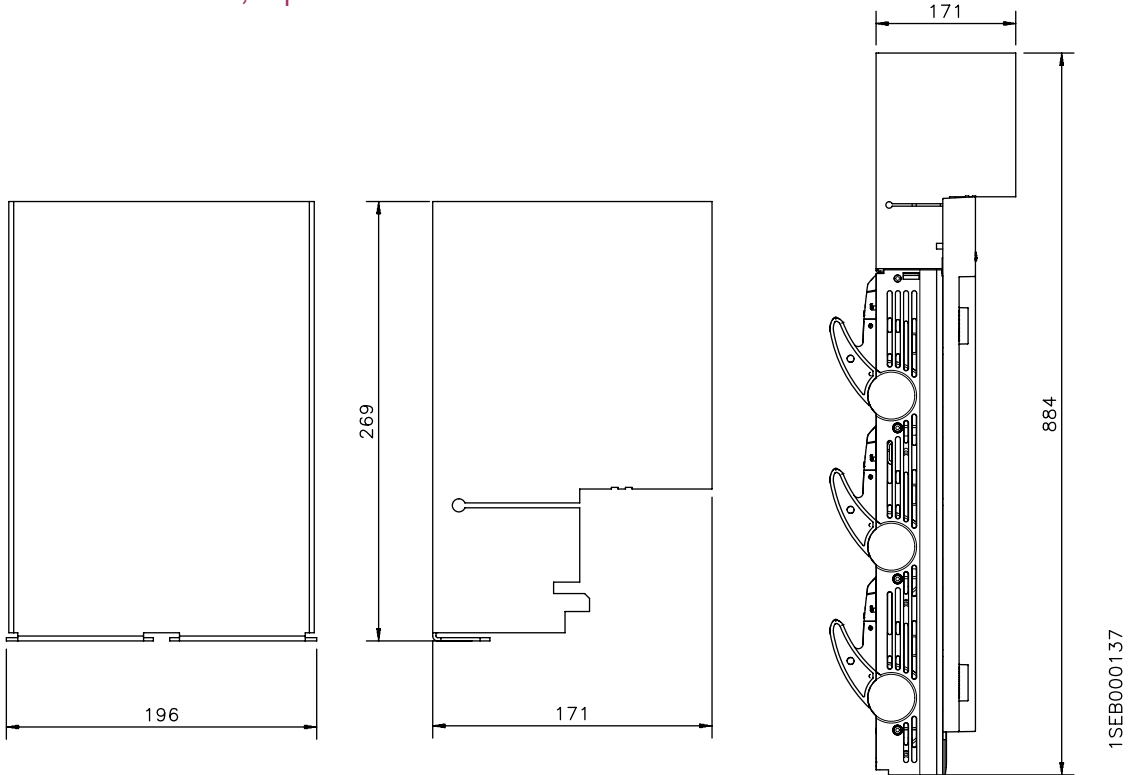
XLBM123 cable shroud for S&J



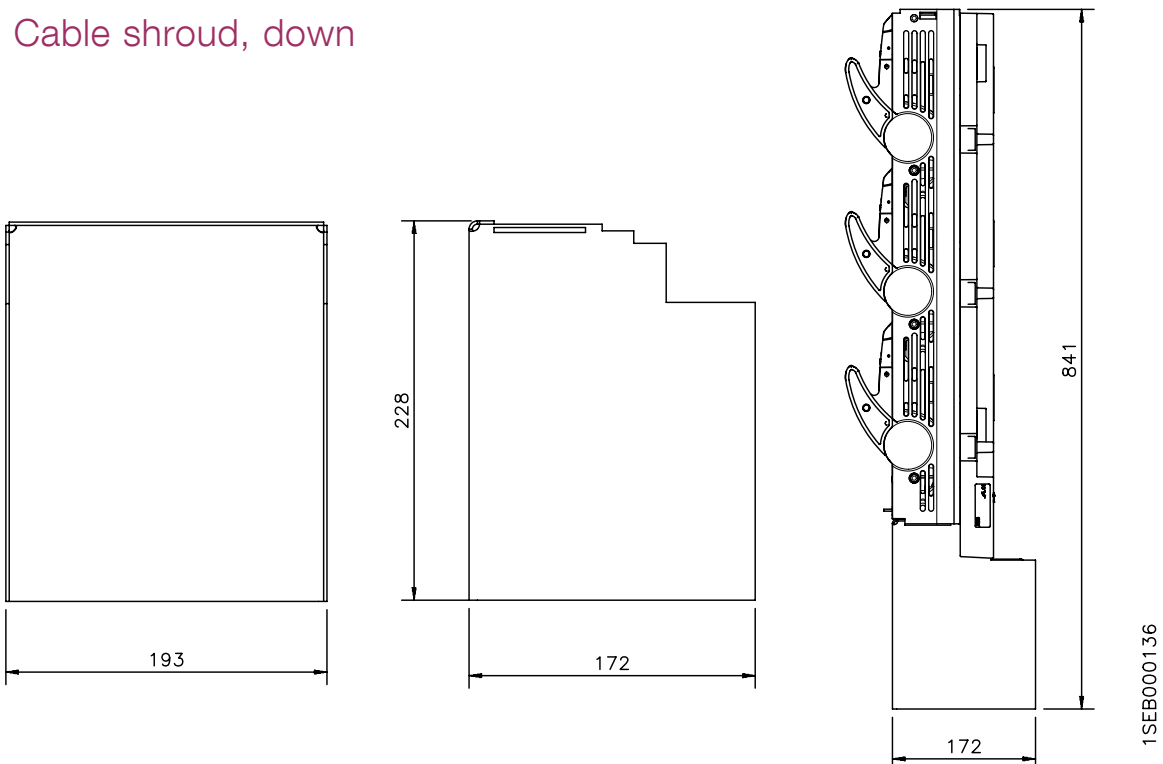
Dimensional drawings

Accessories XLBM800A/1250A

Cable shroud, up



Cable shroud, down



Contact us

ABB AS

Low Voltage Products

P.O. Box 100, Sentrum

N-3701 Skien, Norway

Phone: +47 35 58 25 00

Fax: +47 35 58 28 00

www.abb.com/fusegear

A part of its on-going product improvement, ABB reserves the right to modify the characteristics or the products described in this brochure. The information given is not contractual. For further details please contact the ABB company marketing these products in your country.

