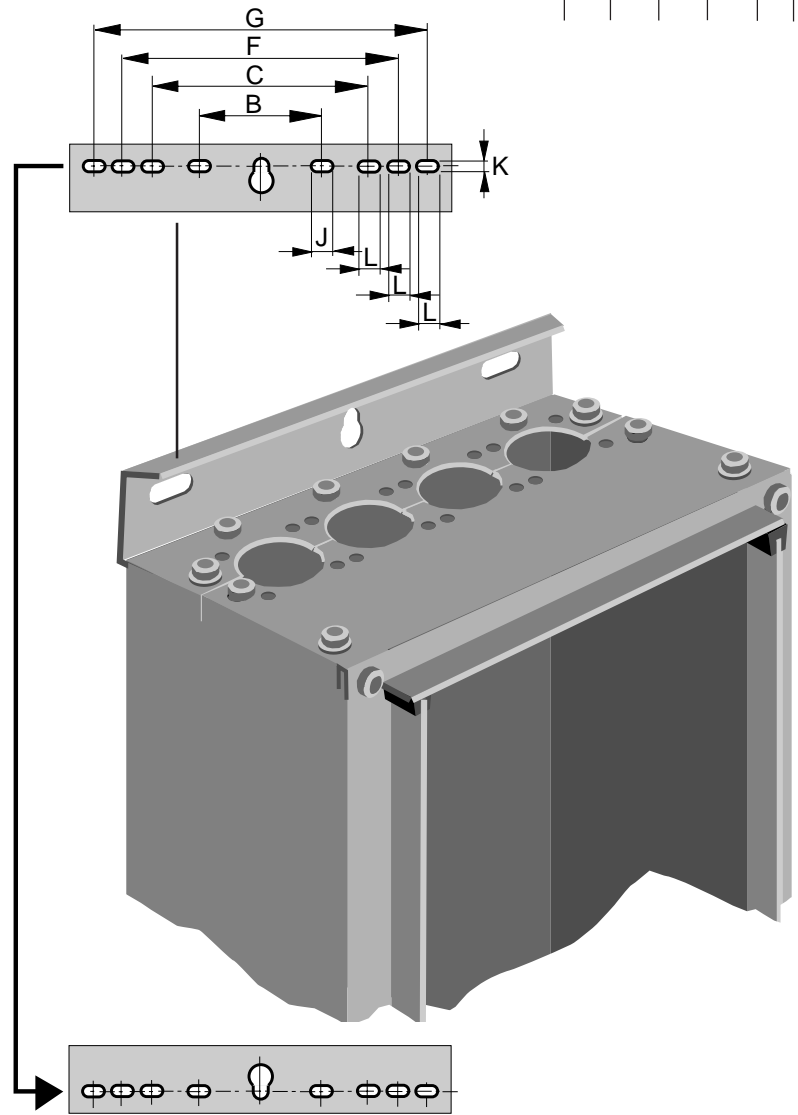


| | B | C | F | G | J | L | K |
|-----------|-----|-----|-----|-----|----|----|----|
| OEZXP 24R | 303 | | | | 35 | | 11 |
| OEZXP 34R | 303 | | | | 35 | | 11 |
| OEZXP 28R | 303 | 512 | 612 | 712 | 35 | 27 | 11 |
| OEZXP 38R | 303 | 512 | 612 | 712 | 35 | 27 | 11 |



SafeLine

OEZXP 24R...38R

VL 2228 2751

Document no. 34 OEZXP 3 F

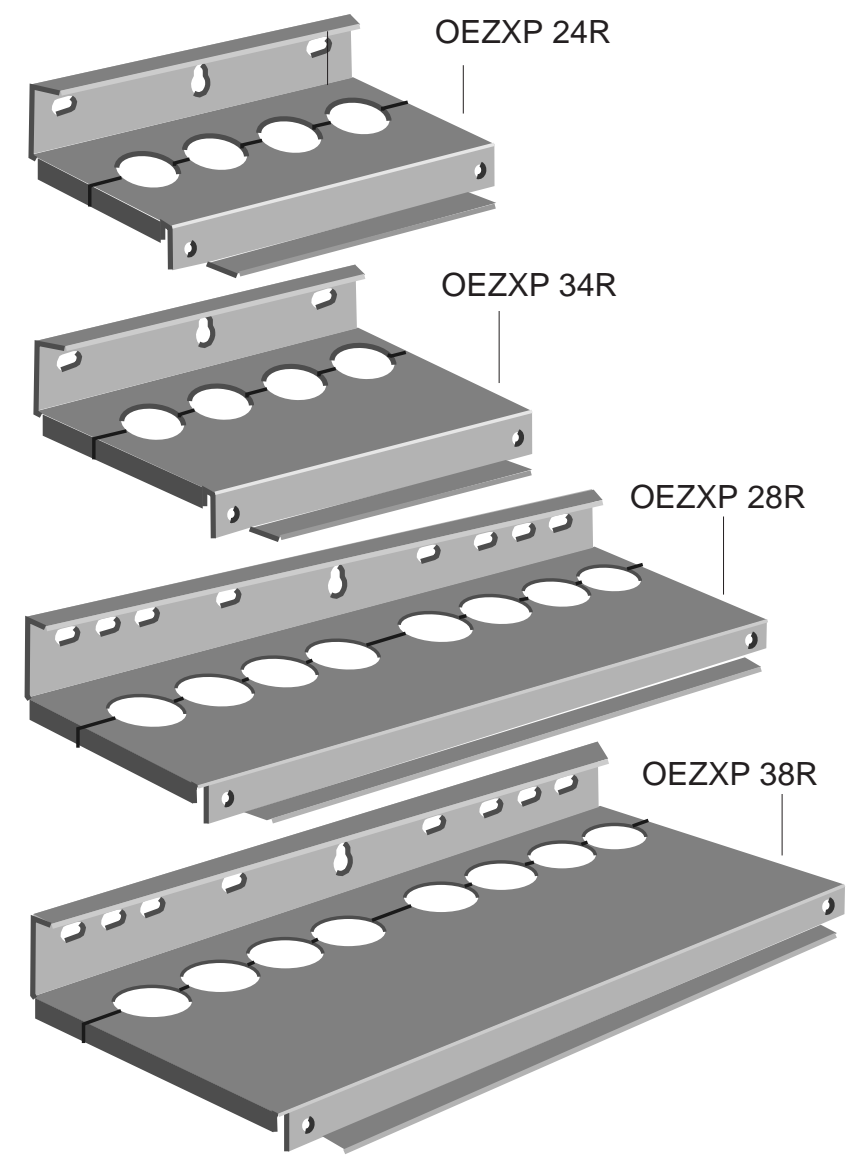


ABB Control Oy

Low Voltage Systems Telephone +358 10 224 000
P.O. Box 600 Telefax +358 10 224 3322
FIN-65101 Vaasa, Finland

Teki: 97-05-06 R Laitalainen
Prepared:

Tarkasti:
Checked:

Hyväksyi:
Approved:

