

Low Voltage Apparatus
 P.O. Box 622 Telephone +358-010 224 000
 FIN-65101 Vaasa Telefax +358-010 224 5708
 Finland

ABB Control Oy

Teki: 98-01-26 R Laitalainen
 Prepared:

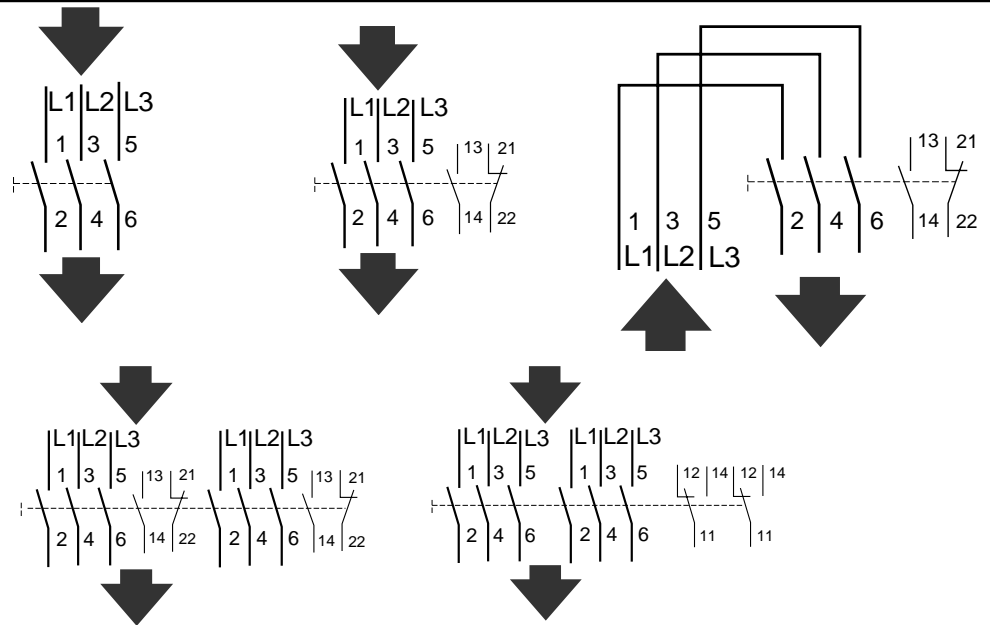
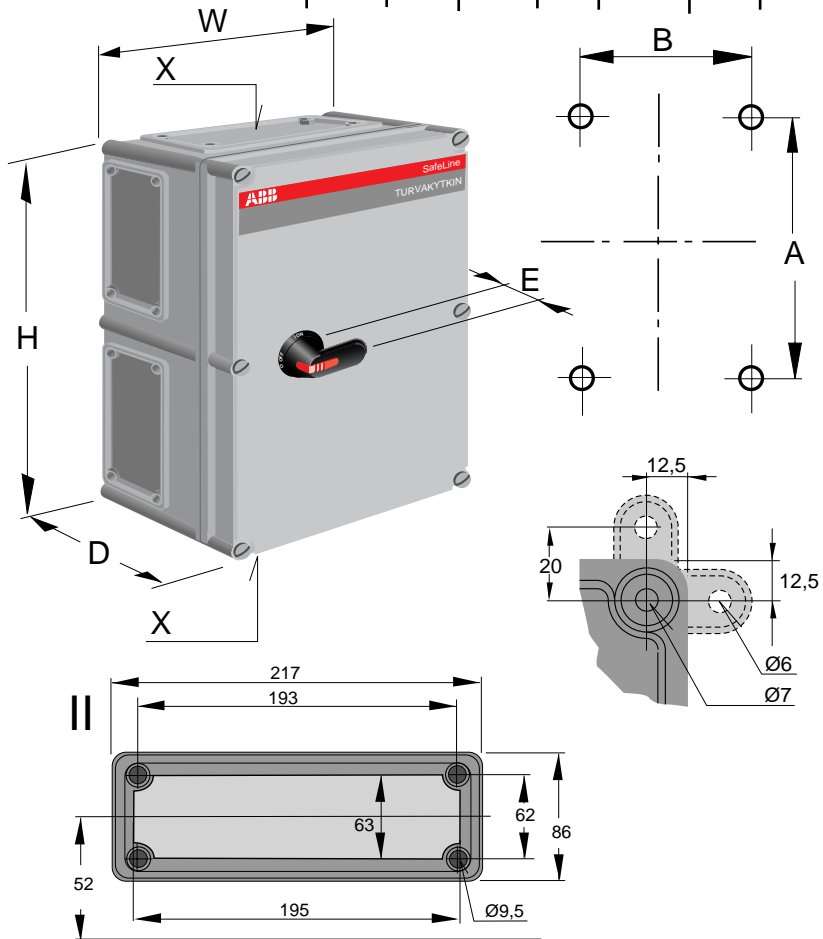
Tarkasti:
 Checked:

Hyväksyi:
 Approved:





	[mm]						
	H	W	D	E	A	B	X
380 x280 x130	380	280	130	45	355	255	II
560 x280 x180	560	280	180	45	535	255	II
560 x380 x180	560	380	180	45	535	355	II
840 x380 x180	840	380	180	45	815	355	II
760 x560 x250	760	560	250	45	735	535	2xII



[Nm]			
PE	Q	S	N
6Nm 30Nm 2,5Nm 6Nm M8 15...22Nm M10 30...44Nm M12 50...75Nm	6Nm M8 15...22Nm M10 30...44Nm M12 50...75Nm	13 21 0,5Nm 14 22 12 14 0,9Nm 11	2,2Nm M8 15...22Nm M10 30...44Nm M12 50...75Nm