

A	L	■ B
OHB 45J5E_	45	5
OHB 45J6E_	45	6
OHB 45J10E_	45	10
OHB 65J5E_	65	5
OHB 65J6E_	65	6
OHB 65J8E_	65	8
OHB 65J10E_	65	10
OHB 80J6E_	80	6
OHB 80J8E_	80	8
OHB 80J10E_	80	10
OHB 95J10E_	95	10
OHB 95J12E_	95	12
OHB 125J10E_	125	10
OHB 125J12E_	125	12
OHB 145J12E_	145	12
OHB 175J12E_	175	12
OHB 275J12E_	275	12

J= IP65 H= IP54

B= ■ Y= ■ G= ■

Low Voltage Apparatus

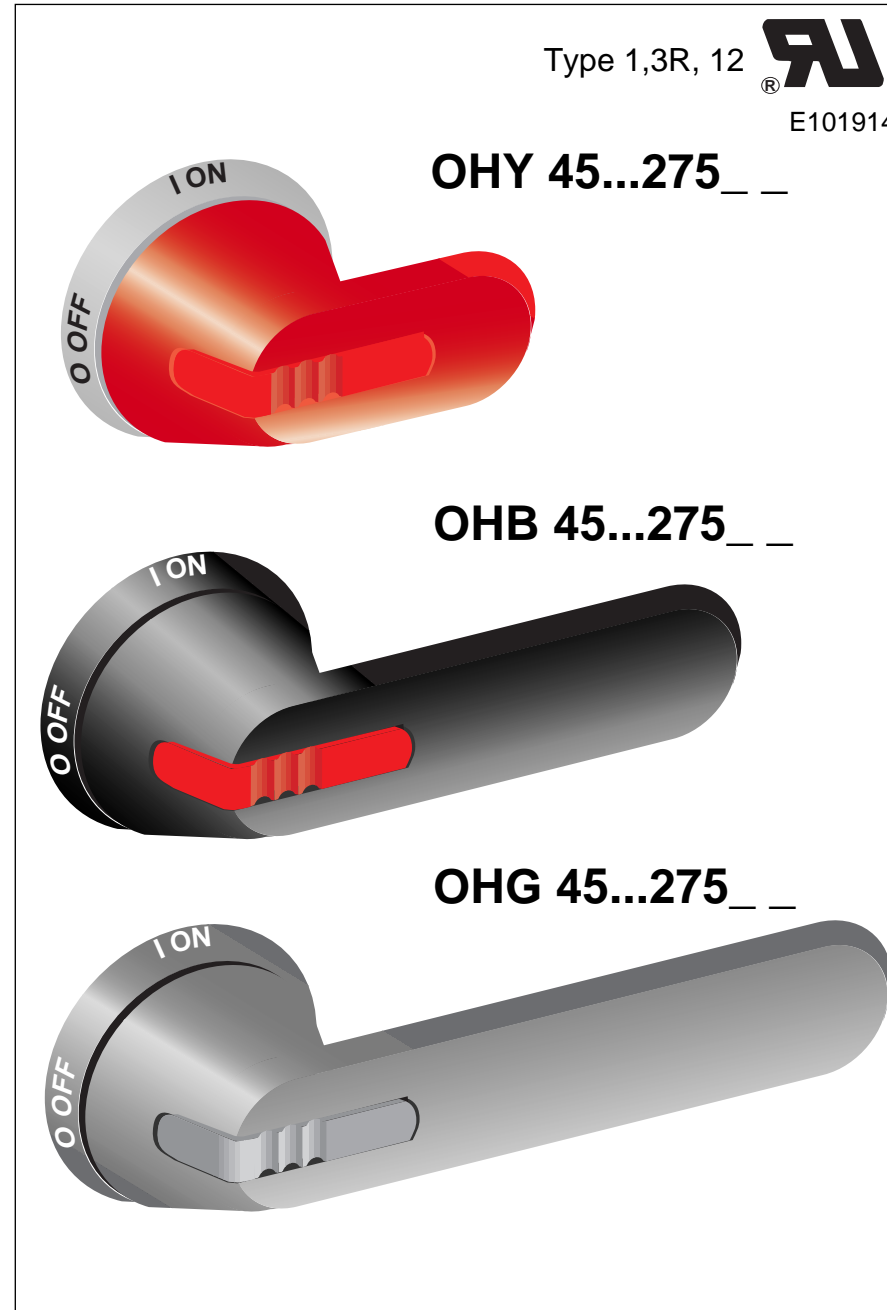
P.O. Box 622 Telephone +358 10 224 000  
SF-65101 Vaasa Telefax +358 10 244 5708  
Finland

ABB Control Oy

Teki: 99-02-26 R Laitalainen  
Prepared:

Tarkasti:  
Checked:

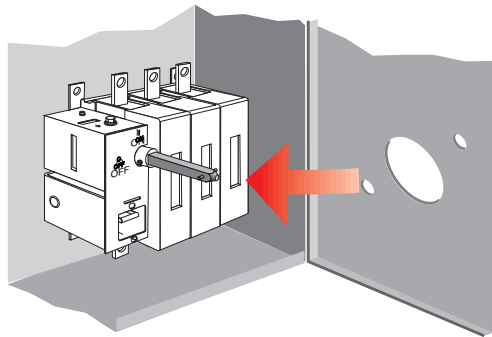
Hyväksyi:  
Approved:



OHY 45...275\_ \_

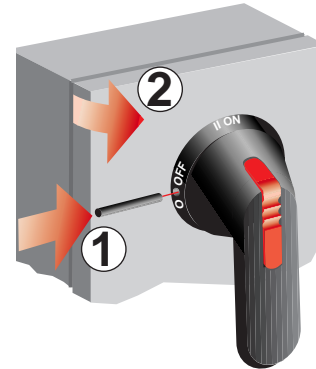
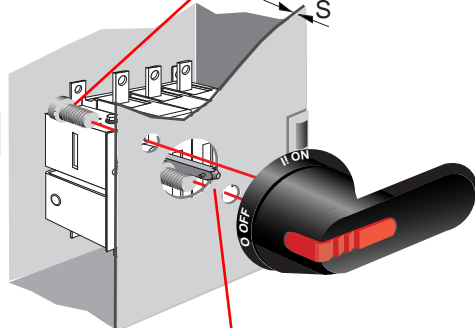
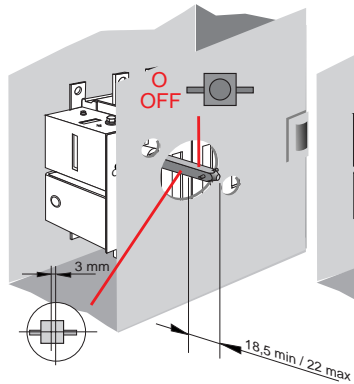
OHB 45...275\_ \_

OHG 45...275\_ \_

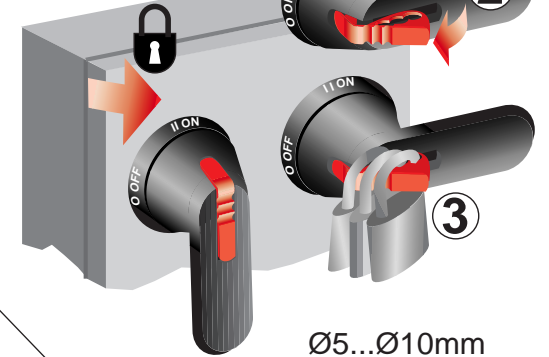


M4x8 S= max 5mm

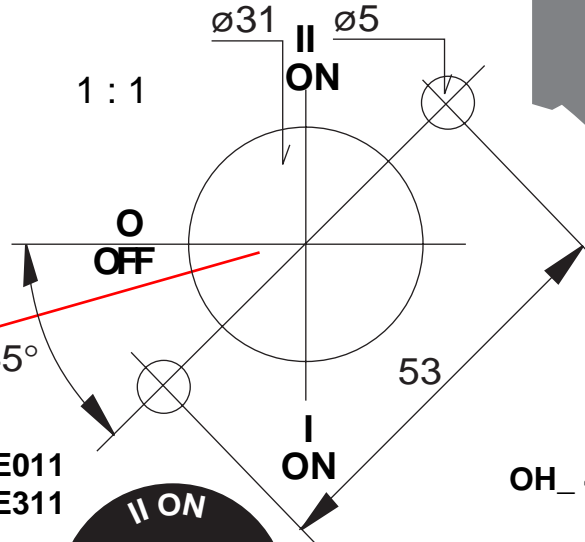
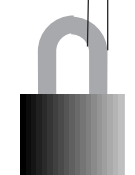
1,5Nm



OH\_45...275\_E011  
OH\_45...275\_E421

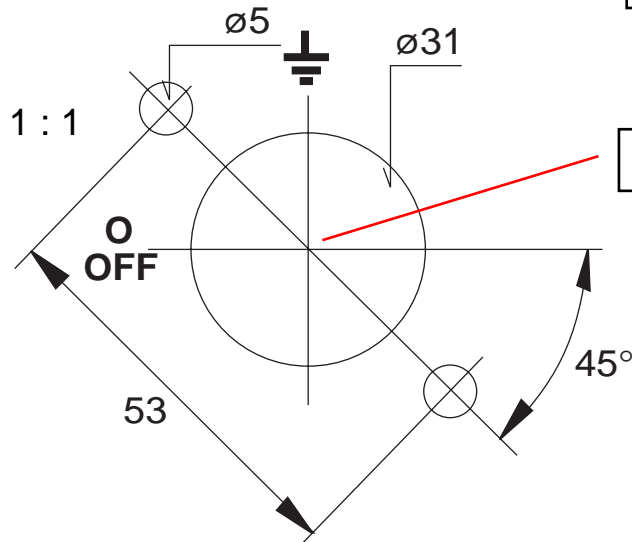


Ø5...Ø10mm



OH\_45...275\_E011  
OH\_45...275\_E311

OH\_45...275\_E311



OH\_45...275\_E421

