

# Bourdon Tube Pressure Gauges

## Panel Mounting Series, Back Pressure Entry • Model 111.16

### Pressure Gauges

---

**Service intended**

Suitable for all gaseous and liquid media that will not obstruct the pressure system or attack copper alloy parts.

**Nominal size**

40, 50 and 63 mm

**Accuracy class** per EN 837-1 /6

2.5

**Scale ranges** per EN 837-1 /5

0 ... 0.6 to 0 ... 400 bar  
or other equivalent units of pressure or vacuum.

**Working pressure**

Steady:  $\frac{3}{4}$  of full scale value

Fluctuating:  $\frac{2}{3}$  of full scale value

Short time: full scale value

**Operating temperature**

Ambient: -40 ... +60 °C

Medium: +60 °C maximum

**Temperature effect**

When temperature of the pressure element deviates from reference temperature (+20 °C)  
max.  $\pm 0.4\%/10$  K of the span.

**Standard features****Pressure connection**

Material: Cu-alloy

Threaded entry (back only) per EN 837-1 /7.3

40 mm: G  $\frac{1}{8}$  B, 14 mm flats

50 and 63 mm: G  $\frac{1}{4}$  B, 14 mm flats

**Pressure element**

Material: Cu-alloy

≤ 40 bar: C-type

> 40 bar: helical type

**Movement**

Cu-alloy

**Dial**

White plastic, with pointer stop pin

With black lettering

**Pointer**

Black plastic

**Case**

Black plastic with integral panel ring

**Window**

clear plastic, snap-fit window

**Optional extras**

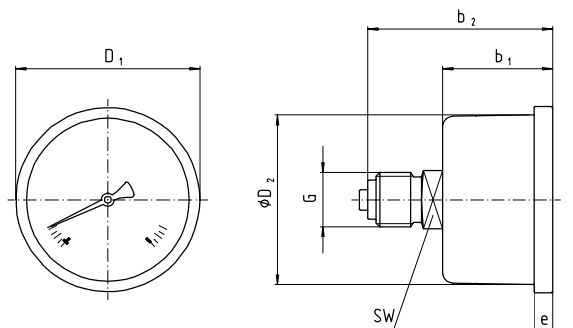
- Accuracy class 1.6
- Other pressure connection
- 3-hole panel mounting flange
- Panel mounting clamp  
both parts can be retrofitted by customer

Radial pressure entry see data sheet PM 01.01

Back pressure entry see data sheet PM 01.09

**Dimensions**  
**Standard version**

Centre back pressure connection



1376 705

NS	Dimensions [mm]							Weight [kg]
	$b_1 \pm 0.5$	$b_2 \pm 1$	$D_1$	$D_2$	G	SW	e	
40	26.5	44.5	45	40	G 1/8 B	14	4.5	0.063
50	26.5	47.5	54	49.5	G 1/4 B	14	4.5	0.071
63	30	47.5	68	63	G 1/4 B	14	5	0.078

Standard pressure entry with parallel thread and seating to EN 837-1 / 7.3

**Ordering information**

State:  
 Pressure gauge model / Nominal size / Scale range / Size of connection / Optional extras required

Specifications and dimensions given in this leaflet represent the state of engineering at the time of printing. Modifications may take place and materials specified may be replaced by others without prior notice.



**WIKA Alexander Wiegand GmbH & Co. KG**  
 Alexander-Wiegand-Straße · 63911 Klingenberg  
 ☎ (0 9372) 132-0 · ☎ (0 9372) 132-406/414  
<http://www.wika.de> · E-mail: info@wika.de