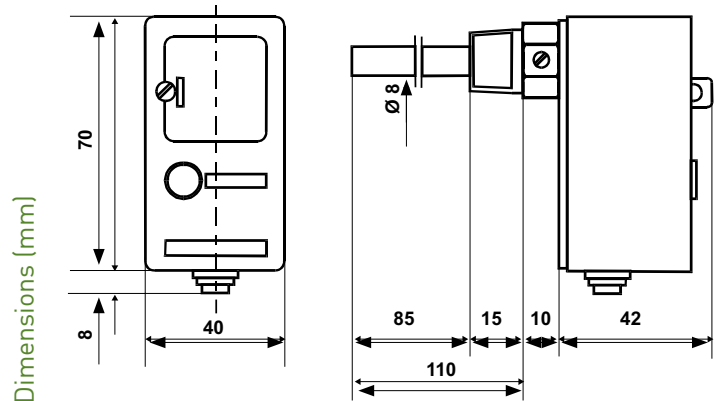


Positive safety lockout thermostats, for boilers and heating systems, should be connected in series with a control thermostat.



	Lockout action °C	Action tolerance °C	Admissible body temperature °C	Maximum bulb temperature °C	Protection level
C06A3M	100	+ 0 - 6	120	150	IP40
C06B3M	90	+ 0 - 6	120	150	IP40

*The differential is subtracted from the range value. The differential values refer to a thermal gradient of 1K/hour in liquid and 4K/hour in air.

ELECTRICAL FEATURES

Two directions microswitch of instant action with manual reset with silver alloy contacts.

Contact parameters in compliance with EN 60730-1:
15(6)A 250V~ 50Hz.

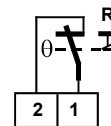
Parameters in compliance with EN 60947-5-1:

Nominal insulation voltage: U_i 380V~.

Nominal continuous current: I_{th} 15A.

Nominal operating current I_e :	220V~	250V~	380V~	
Resistive load	AC-12	-	15A	10A
Inductive load	AC-15	-	-	2,5A
Direct current	DC-13	0,2A	-	-

1,5A



STANDARDS AND CERTIFICATES

Compliance with standards EN 60947-5-1, EN 60730-1.

ISPESL approval for C06A3M.

INSTALLATION

Direct immersion mounting of the bulb via threaded sheath GC 1/2 (included in the package).

OPERATION

When the temperature increases are opening the contacts 1-2.

Liquid expansion function.

If the system reaches the limit temperature, the thermostat interrupts the electrical circuit and to reactivate it is necessary to act on the manual reset (after the temperature has dropped until $\sim 25^{\circ}\text{C}$).

In case of breakdown or failure of its sensing element, the thermostat interrupts the electrical circuit and is no longer possible to reactivate the system (is necessary to replace the thermostat).

FEATURES

Sensing element with stainless steel diaphragm.

Copper bulb and capillary.

Copper sheath with GC 1/2 PN10 connection.

Base, cover and knob in shock-proof self-extinguishing thermoplastic material V0.

Electrical connection output with PVC cable gland.

The storage and transport temperature: $-35 \div 120^{\circ}\text{C}$.

Unit weight: 0,22 Kg.

ACCESSORIES



303298LA

Cable gland G1/2 for connection output in shock-proof self-extinguishing thermoplastic material V0.



G30

Copper sheath GC 1/2 PN10 bar, length 100mm, \varnothing 8mm.